



Nanonics

TE Internal #: 1925222-9

Microminiature & Nanominiature D Connectors, Receptacle, Wire-to-Wire, 15 Position, .635mm [.025in] Centerline, Wire & Cable

[View on TE.com >](#)

Connectors > D-Shaped Connectors > Microminiature & Nanominiature D Connectors



Connector & Housing Type: **Receptacle**

Connector System: **Wire-to-Wire**

Number of Positions: **15**

Mounting Hardware: **Without**

Centerline (Pitch): **.635 mm [.025 in]**

Features

Product Type Features

Product Type	Connector
Wire Type	Stranded
Connector & Housing Type	Receptacle
Connector System	Wire-to-Wire
Connector & Contact Terminates To	Wire & Cable

Configuration Features

Preloaded	Yes
Number of Positions	15

Contact Features

Contact Current Rating (Max)	1 A
------------------------------	-----

Mechanical Attachment

Mounting Hardware	Without
Connector Mounting Type	Fixing Screw

Housing Features

Housing Material	Aluminum
Centerline (Pitch)	.635 mm[.025 in]

Usage Conditions

Operating Temperature Range	-65 – 125 °C[-85 – 257 °F]
-----------------------------	----------------------------

Product Compliance

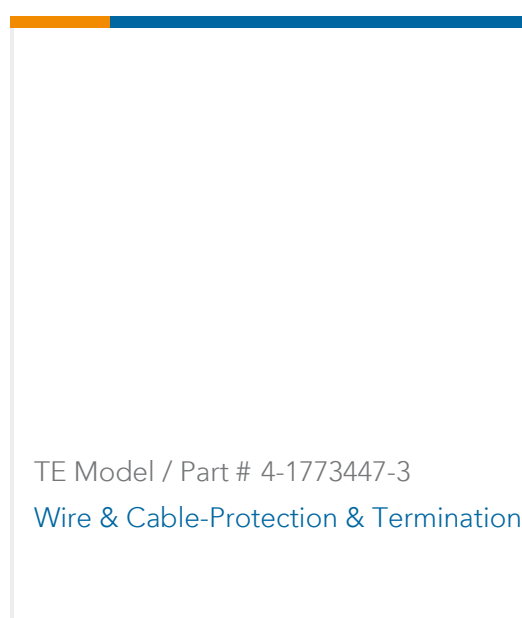
[For compliance documentation, visit the product page on TE.com>](#)

EU RoHS Directive 2011/65/EU	Compliant
EU ELV Directive 2000/53/EC	Compliant
China RoHS 2 Directive MIIT Order No 32, 2016	No Restricted Materials Above Threshold
EU REACH Regulation (EC) No. 1907/2006	Current ECHA Candidate List: JUN 2020 (209) Candidate List Declared Against: JUL 2019 (201) Does not contain REACH SVHC
Halogen Content	Not Yet Reviewed for halogen content
Solder Process Capability	Wave solder capable to 265°C

Product Compliance Disclaimer

This information is provided based on reasonable inquiry of our suppliers and represents our current actual knowledge based on the information they provided. This information is subject to change. The part numbers that TE has identified as EU RoHS compliant have a maximum concentration of 0.1% by weight in homogenous materials for lead, hexavalent chromium, mercury, PBB, PBDE, DBP, BBP, DEHP, DIBP, and 0.01% for cadmium, or qualify for an exemption to these limits as defined in the Annexes of Directive 2011/65/EU (RoHS2). Finished electrical and electronic equipment products will be CE marked as required by Directive 2011/65/EU. Components may not be CE marked. Additionally, the part numbers that TE has identified as EU ELV compliant have a maximum concentration of 0.1% by weight in homogenous materials for lead, hexavalent chromium, and mercury, and 0.01% for cadmium, or qualify for an exemption to these limits as defined in the Annexes of Directive 2000/53/EC (ELV). Regarding the REACH Regulation, the information TE provides on SVHC in articles for this part number is based on the latest European Chemicals Agency (ECHA) 'Guidance on requirements for substances in articles' posted at this URL: <https://echa.europa.eu/guidance-documents/guidance-on-reach>

Compatible Parts



Customers Also Bought



TE Model / Part #1925215-9
TMN2N015PC2DM018S = M32139/03-B05SNS



TE Model / Part #1050766-1
2001 7947 00



TE Model / Part #1757836-5
AMPLIMITE,R/A RCPT ASY,109,ZN,5



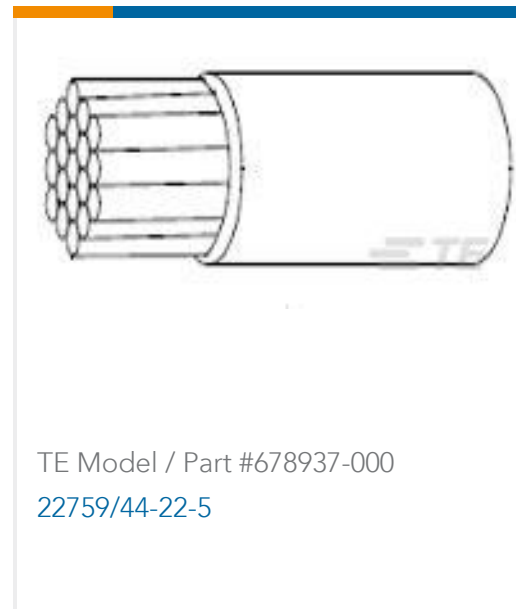
TE Model / Part #5-1618407-2
EV202MSBFD=RELAY, EV202 DPST-NO, 28V



TE Model / Part #1925214-9
TMN2N009PC2DM018S = M32139/03-A05SNS



TE Model / Part #1925221-9
TMN2N009SC2DM018T = M32139/04-A05TNS



TE Model / Part #678937-000
22759/44-22-5



TE Model / Part #YDTS26G25-19SBV001
PLUG ASSY



TE Model / Part #YDTS26G25-24PNV001
PLUG ASSY



TE Model / Part #YDTS26G25-61PBV001
PLUG ASSY

Documents

Product Drawings

[TMN2N015SC2DM018T = M32139/04-B05TNS](#)

English

CAD Files

[3D PDF](#)

3D

Customer View Model

[ENG_CVM_CVM_1925222-9_A.2d_dxf.zip](#)

English

Customer View Model

[ENG_CVM_CVM_1925222-9_A.3d_igs.zip](#)

English

Customer View Model

[ENG_CVM_CVM_1925222-9_A.3d_stp.zip](#)

English

By downloading the CAD file I accept and agree to the [Terms and Conditions](#) of use.

Datasheets & Catalog Pages



[Nanonics Connectors for MIL-DTL-32139](#)

English