



Connectors > Power Connectors > Circular Power > Circular Power Connectors



Connector Product Type: **Housing**

Operating Voltage: **600 VDC**

Connector System: **Wire-to-Wire**

Number of Positions: **4**

Sealable: **No**

## Features

### Product Type Features

Connector Product Type	Housing
Connector System	Wire-to-Wire
Sealable	No
Connector & Contact Terminates To	Wire & Cable
Connector & Housing Type	Receptacle
Circular Connector Shell Type	All Plastic

### Configuration Features

Reverse Numbering	Without
Number of Positions	4
Number of Power Positions	0
Keying	A
Number of Signal Positions	4

### Electrical Characteristics

Operating Voltage	600 VAC
-------------------	---------

### Contact Features

Reverse Gender	No
Contact Type	Pin
Contact Current Rating (Max)	13 A
Contact Protection	With



### Mechanical Attachment

Panel Mount Feature Type	Flange with Mounting Holes
Screw & Hole Thread Size	5/8-24 UNEF-2A
Connector Mounting Type	Panel Mount
Mating Alignment	With
Mating Retention	With
Panel Mount Feature	With
Mating Alignment Type	Keyed
Mating Retention Type	Threaded Coupling

### Housing Features

Body Orientation	Straight
Housing Color	Black
Housing Material	PA 6.6 GF
Circular Connector Shell Size	11

### Dimensions

Accepts Wire Insulation Diameter Range	2.54 mm[.1 in]
--	----------------

### Usage Conditions

Operating Temperature Range	-55 – 105 °C[-67 – 221 °F]
Fluid Resistance	None

### Operation/Application

Circuit Application	Signal
Shielded	No

### Industry Standards

UL Flammability Rating	UL 94V-0
VDE Tested	No

### Packaging Features

Packaging Method	Small Pack
Packaging Quantity	5

### Other

Comment	Small Pack
---------	------------



## Product Compliance

[For compliance documentation, visit the product page on TE.com>](#)

EU RoHS Directive 2011/65/EU	Compliant
EU ELV Directive 2000/53/EC	Compliant
China RoHS 2 Directive MIIT Order No 32, 2016	No Restricted Materials Above Threshold
EU REACH Regulation (EC) No. 1907/2006	Current ECHA Candidate List: JUN 2020 (209) Candidate List Declared Against: JAN 2019 (197) Does not contain REACH SVHC
Halogen Content	BFR/CFR/PVC Free, but Br/Cl >900 ppm in other sources.
Solder Process Capability	Not applicable for solder process capability

### Product Compliance Disclaimer

This information is provided based on reasonable inquiry of our suppliers and represents our current actual knowledge based on the information they provided. This information is subject to change. The part numbers that TE has identified as EU RoHS compliant have a maximum concentration of 0.1% by weight in homogenous materials for lead, hexavalent chromium, mercury, PBB, PBDE, DBP, BBP, DEHP, DIBP, and 0.01% for cadmium, or qualify for an exemption to these limits as defined in the Annexes of Directive 2011/65/EU (RoHS2). Finished electrical and electronic equipment products will be CE marked as required by Directive 2011/65/EU. Components may not be CE marked. Additionally, the part numbers that TE has identified as EU ELV compliant have a maximum concentration of 0.1% by weight in homogenous materials for lead, hexavalent chromium, and mercury, and 0.01% for cadmium, or qualify for an exemption to these limits as defined in the Annexes of Directive 2000/53/EC (ELV). Regarding the REACH Regulation, the information TE provides on SVHC in articles for this part number is based on the latest European Chemicals Agency (ECHA) 'Guidance on requirements for substances in articles' posted at this URL: <https://echa.europa.eu/guidance-documents/guidance-on-reach>

## Compatible Parts



TE Model / Part # CAT-AM71-C83998J  
CPC SERIES 1

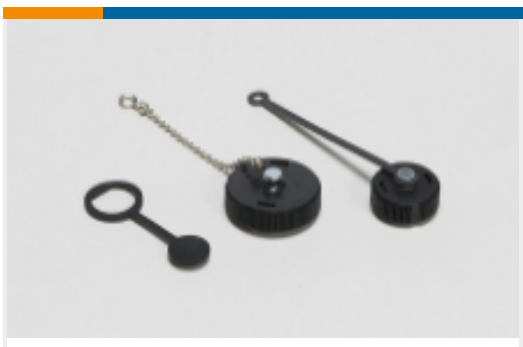
Also in the Series | [AMP CPC](#)



Circular Connector Adapters(7)



Circular Connector Boots & Strain Relief(6)



Circular Connector Caps & Covers(16)



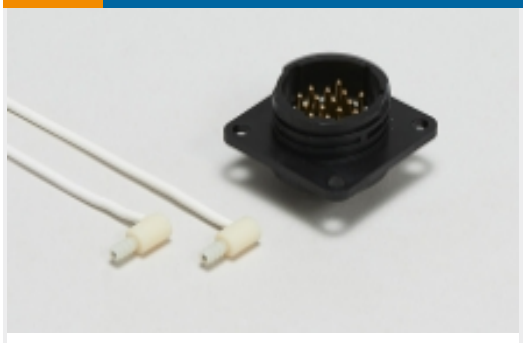
Circular Connector Hardware(3)



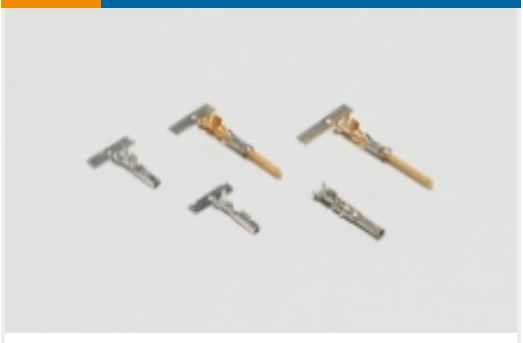
Circular Connector Keying Plugs(2)



Circular Connector Seals(35)



Circular Power Connectors(513)



Power Contacts(5)



Sealing & Repair Sleeves(2)

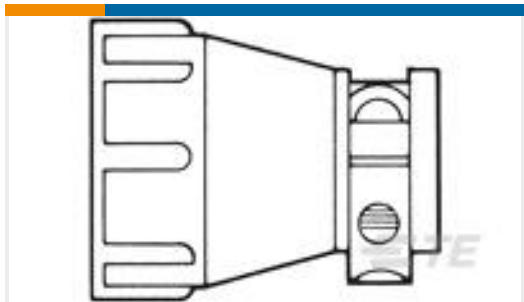


Unscreened Circular Connector Backshells & Clamps(56)

## Customers Also Bought



TE Model / Part #206060-2  
CPC PLUG,SZ 11-4,SMALL PACK



TE Model / Part #1-206062-5  
CABLE CLAMP KIT, BULK PKG



TE Model / Part #170262-5  
EIS REC CONTACT 20-26



TE Model / Part #880488-2  
FASTON 187 HOUSING RECEPTACLE  
NATURAL



TE Model / Part #626042-2  
FASTON .110 REC 0.5 /1.5 MM2 TPBR



TE Model / Part #206837-2  
CPC PLUG,SZ 23-24,SMALL PACK



TE Model / Part #66100-3  
III+ SKT,18-16,15AU/FL,STRIP



TE Model / Part #880636-1  
FF 250 TAB 1.0-2.5 MM2 0.39 X 13.2 BR



## Documents

### Product Drawings

[CPC RECPT,SZ 11-4,SMALL PACK](#)

English

### CAD Files

[3D PDF](#)

3D

Customer View Model

[ENG\\_CVM\\_CVM\\_206061-3\\_AB.2d\\_dxf.zip](#)

English

Customer View Model

[ENG\\_CVM\\_CVM\\_206061-3\\_AB.3d\\_igs.zip](#)

English

Customer View Model

[ENG\\_CVM\\_CVM\\_206061-3\\_AB.3d\\_stp.zip](#)

English

By downloading the CAD file I accept and agree to the [Terms and Conditions](#) of use.

### Product Specifications

[Connector, Circular Plastic](#)

English

[Product Specification](#)

English