

6-51864-1 ✓ ACTIVE



## PIDG

TE Internal #: 6-51864-1

PIDG, Rings & Spades, Ring Tongue, 16AWG Wire Size, 1.25 – 1.4 mm<sup>2</sup> Wire Size, 2050 – 5180CMA Wire Size, M3.5 / #6, Stud

Diameter 3.68 mm [.145 in]

[View on TE.com >](#)

Terminals & Splices > Rings & Spades > PIDG RING TONGUE TERMINALS



Terminal & Splice Type: **Ring Tongue**

Wire Size: **2050 – 5180 CMA**

Stud Size: **#6, M3.5**

[All PIDG RING TONGUE TERMINALS \(422\)](#)

## Features

### Product Type Features

Shape Description	RING-041
Stud Size	#6, M3.5
Barrel Type	Closed Barrel
Sealable	No
Insulated	Yes
Wire/Cable Type	Regular Wire
Support Style	Insulation Restriction

### Configuration Features

Number of Holes	1
Terminal Angle	Straight

### Electrical Characteristics

Voltage (Max)	300 V
---------------	-------

### Body Features

Insulation Sleeve Color	Blue
Weight per Piece	1.039 g
Stripe Color	Blue
Plating Material	Copper, Tin

### Contact Features



Terminal & Splice Type	Ring Tongue
------------------------	-------------

Terminal Orientation	Straight
----------------------	----------

### Mechanical Attachment

Wire Insulation Support	With
-------------------------	------

### Dimensions

Wire Size	2050 – 5180 CMA
-----------	-----------------

Stud Diameter	3.68 mm [.145 in]
---------------	-------------------

Tongue Thickness	.79 mm [.031 in]
------------------	------------------

Overall Length	23 mm [.906 in]
----------------	-----------------

Wire Insulation Diameter (Max)	3.302 mm [.13 in]
--------------------------------	-------------------

Wire Insulation Diameter	1.6 – 3.302 mm [.063 – .13 in]
--------------------------	--------------------------------

### Usage Conditions

Operating Temperature Range	105 °C [221 °F]
-----------------------------	-----------------

### Operation/Application

Heavy Duty	No
------------	----

### Industry Standards

Government Qualified	No
----------------------	----

### Packaging Features

Packaging Quantity	100
--------------------	-----

Packaging Method	Loose Piece
------------------	-------------

### Product Compliance

[For compliance documentation, visit the product page on TE.com>](#)

EU RoHS Directive 2011/65/EU	Compliant
------------------------------	-----------

EU ELV Directive 2000/53/EC	Compliant
-----------------------------	-----------

China RoHS 2 Directive MIIT Order No 32, 2016	No Restricted Materials Above Threshold
---	---

EU REACH Regulation (EC) No. 1907/2006	Current ECHA Candidate List: JUN 2020 (209) Candidate List Declared Against: JUL 2017 (174) Does not contain REACH SVHC
--	---

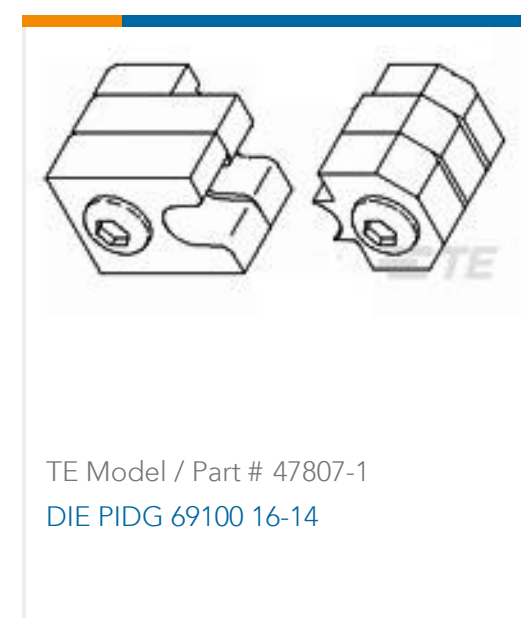
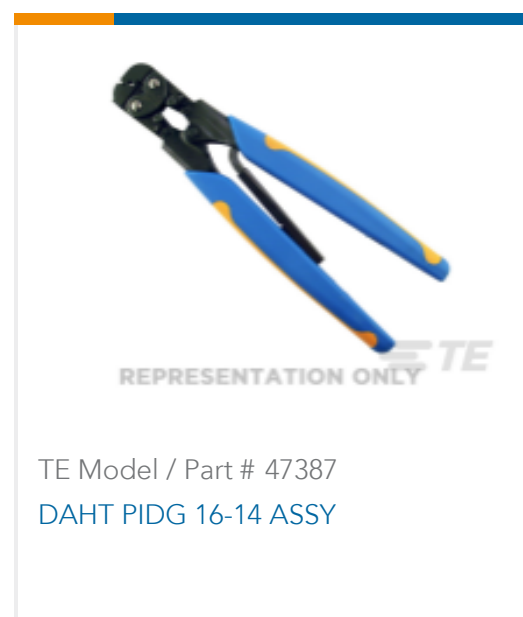
Halogen Content	BFR/CFR/PVC Free, but Br/Cl >900 ppm in other sources.
-----------------	--

Solder Process Capability	Not applicable for solder process capability
---------------------------	--

### Product Compliance Disclaimer

This information is provided based on reasonable inquiry of our suppliers and represents our current actual knowledge based on the information they provided. This information is subject to change. The part numbers that TE has identified as EU RoHS compliant have a maximum concentration of 0.1% by weight in homogenous materials for lead, hexavalent chromium, mercury, PBB, PBDE, DBP, BBP, DEHP, DIBP, and 0.01% for cadmium, or qualify for an exemption to these limits as defined in the Annexes of Directive 2011/65/EU (RoHS2). Finished electrical and electronic equipment products will be CE marked as required by Directive 2011/65/EU. Components may not be CE marked. Additionally, the part numbers that TE has identified as EU ELV compliant have a maximum concentration of 0.1% by weight in homogenous materials for lead, hexavalent chromium, and mercury, and 0.01% for cadmium, or qualify for an exemption to these limits as defined in the Annexes of Directive 2000/53/EC (ELV). Regarding the REACH Regulations, TE's information on SVHC in articles for this part number is still based on the European Chemical Agency (ECHA) 'Guidance on requirements for substances in articles' (Version: 2, April 2011), applying the 0.1% weight on weight concentration threshold at the finished product level. TE is aware of the European Court of Justice ruling of September 10th, 2015 also known as O5A (Once An Article Always An Article) stating that, in case of 'complex object', the threshold for a SVHC must be applied to both the product as a whole and simultaneously to each of the articles forming part of its composition. TE has evaluated this ruling based on the new ECHA "Guidance on requirements for substances in articles" (June 2017, version 4.0) and will be updating its statements accordingly.

## Compatible Parts

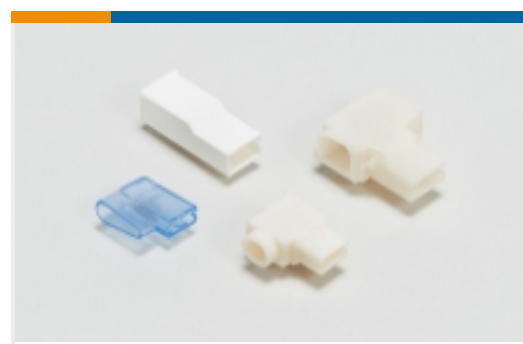


## Also in the Series | PIDG





Compression Connectors(17)



Crimp Terminal Housings(1)



Crimp Wire Pins, Tabs & Ferrules(41)



Knife Disconnects(11)



PCB Terminals(9)



Portable Crimp Tools(2)



Quick Disconnects(53)



Rings & Spades(862)

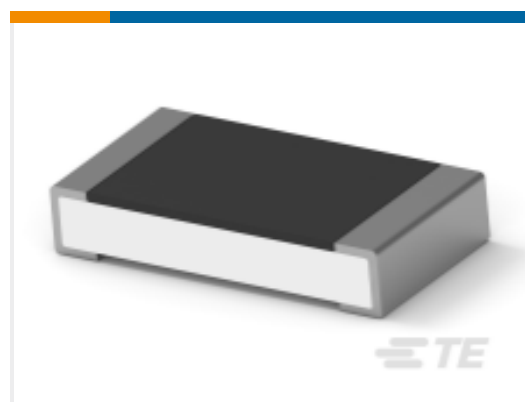


Special Purpose Terminals(1)



Splices(48)

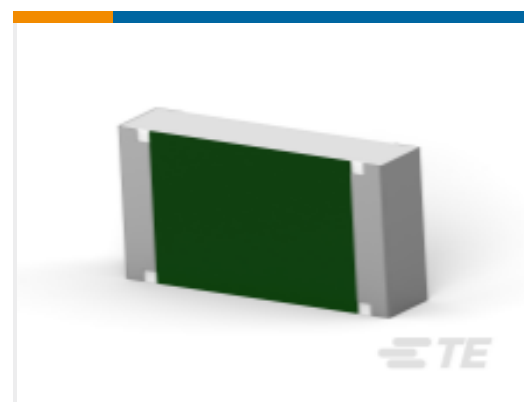
## Customers Also Bought



TE Model / Part #1-2176391-0  
RQ 1206 15K4 0.1% 10PPM 5K RL



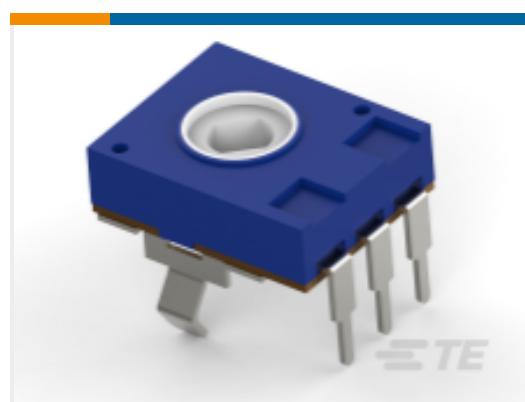
TE Model / Part #2-2176378-4  
RQ 0805 17R4 0.1% 10PPM 5K RL



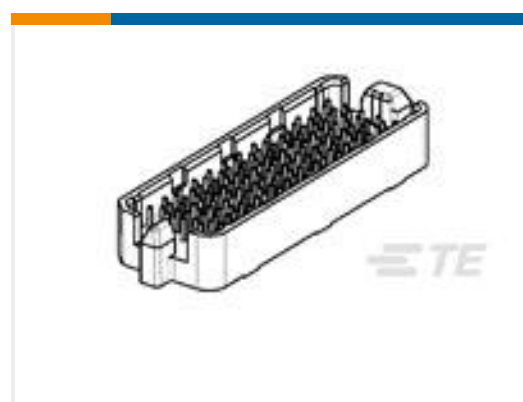
TE Model / Part #6-2176398-3  
3502 5M1 1%



TE Model / Part #2304890-1  
CA,ET, 4POS, NO PULL-TAB,NO  
DETECT,SHIEL



TE Model / Part #2176394-2  
51T 1K0 20% LINEAR 10K MOQ



TE Model / Part #6-2149780-1  
STRADA MESA,HD,HF,048,000,00,SN,  
Y,11



TE Model / Part #6-535585-0  
20 MODIV VRT DR CE RCPT ASSY



TE Model / Part #YDTS20F25-  
37PAC001  
RECP ASSY



## Documents

### Product Drawings

[TERMINAL,PIDG R IR 16 6](#)

English

### CAD Files

[3D PDF](#)

3D

Customer View Model

[ENG\\_CVM\\_CVM\\_6-51864-1\\_AF.2d\\_dxf.zip](#)

English

Customer View Model

[ENG\\_CVM\\_CVM\\_6-51864-1\\_AF.3d\\_igs.zip](#)

English

Customer View Model

[ENG\\_CVM\\_CVM\\_6-51864-1\\_AF.3d\\_stp.zip](#)

English

By downloading the CAD file I accept and agree to the [Terms and Conditions](#) of use.

### Product Specifications

[Application Specification](#)

English

### Product Environmental Compliance

[TE Material Declaration](#)

English

### Agency Approvals

[CSA Certificate](#)

English