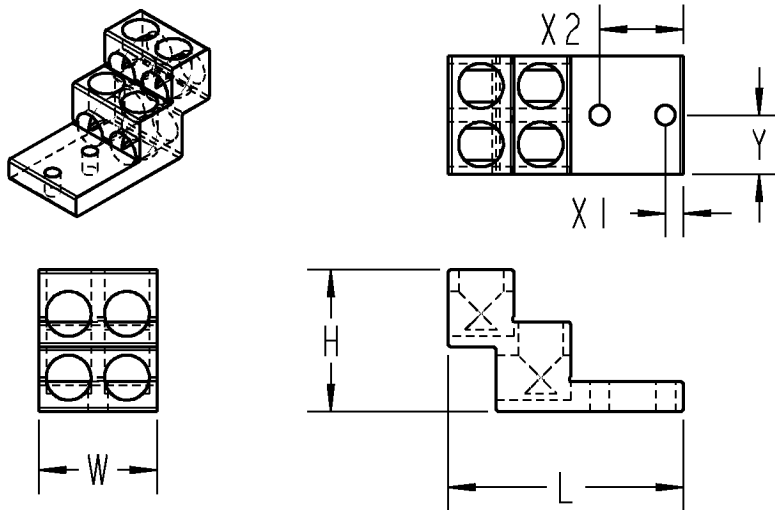
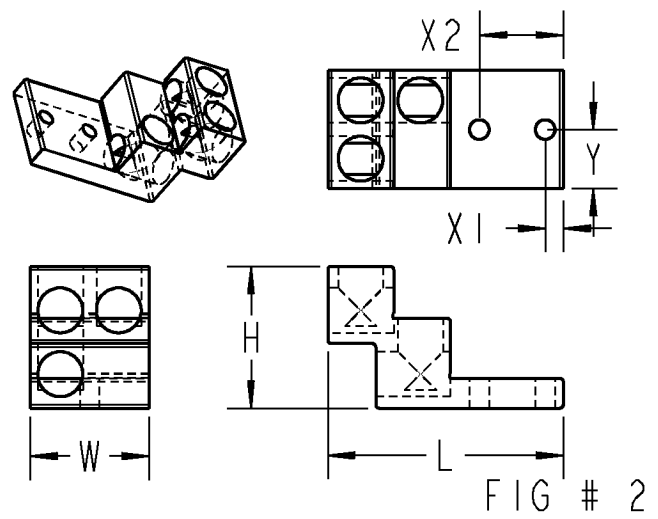
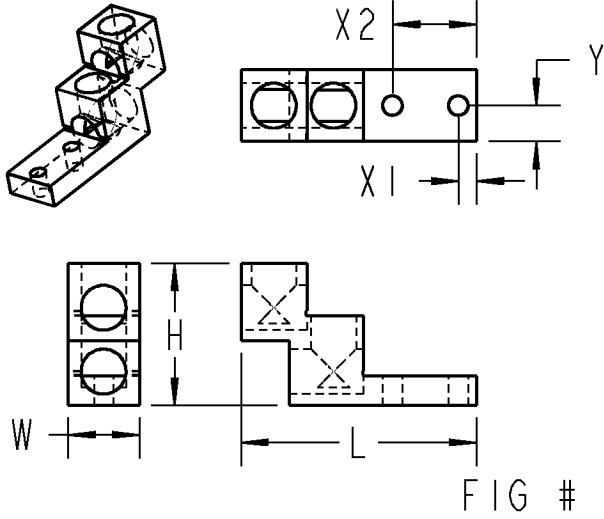




Blackburn



- * MANUFACTURED FROM HIGH STRENGTH ALUMINUM ALLOY.
- * ELECTRO-TIN PLATED.
- * UL 486B 90°C LISTED AND IS CSA CERTIFIED FOR 600 VOLTS.
- * SUITABLE FOR USE WITH EITHER COPPER OR ALUMINUM CONDUCTORS.
- * CHAMFERED WIRE ENTRY PROVIDES EASE INSTALLATION.

CAT. NUMBER	ITEM	FIG	DESCRIPTION	L	W	H	X1	X2	Y1
ASL75-42	05	3	AL CONNECTOR 750 KCMIL-1/0 AWG 4 WIRES	4.91	2.62	2.96	.375	1.75	1.31
ASL75-22	04	1	AL CONNECTOR 750 KCMIL-1/0 AWG 2 WIRES	4.91	1.687	2.96	.375	1.75	.843
ASL60-42	03	3	AL CONNECTOR 600 KCMIL-2 AWG 4 WIRES	4.91	2.469	2.96	.375	1.75	1.234
ASL60-32	02	2	AL CONNECTOR 600 KCMIL-2 AWG 3 WIRES	4.91	2.469	2.96	.375	1.75	1.234
ASL60-22	01	1	AL CONNECTOR 600 KCMIL-2 AWG 2 WIRES	4.91	1.5	2.96	.375	1.75	.75

GENERAL NOTES

1. ALL DIMENSIONS ARE FOR REFERENCE ONLY.
2. DIMENSIONS IN BRACKETS [] ARE IN METRIC UNITS.

REVISIONS

** SEE ERN (****) FOR APPROVAL SIGNATURES & RELEASE DATE.
PROJECT NO: ****

Thomas & Betts
www.tnb.com

DESCRIPTION:

ASL 60 AND 75

ORIGINAL PROJECT NO / (ERN NO)

BC55835 / (201021)

SHEET NO:

1 OF 1

REV. NO:

0

DRAWING NO:

WSD-000463