



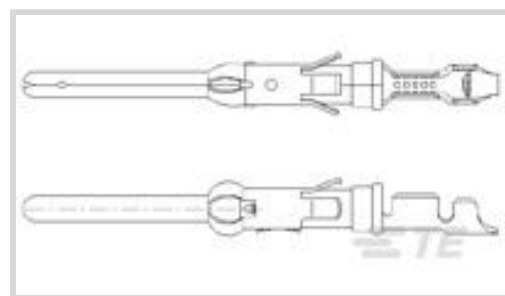
AMP | AMP Type III+

TE Internal #: 163081-2

AMP Type III+, Power Contacts, Contact, Precious Metal, 18 – 16AWG Wire Size, .75 – 1.5mm² Wire Size, Wire & Cable, Crimp

[View on TE.com >](#)

Connectors > Power Connectors > Power Contacts > TYPE III CONTACTS STRIP EMEA



Power Contact Type: **Contact**

Contact Mating Area Plating Material: **Precious Metal**

Wire Size: **.75 – 1.5 mm²**

Connector & Contact Terminates To: **Wire & Cable**

[All TYPE III CONTACTS STRIP EMEA \(9\)](#)

Features

Product Type Features

Power Contact Type	Contact
Connector & Contact Terminates To	Wire & Cable

Electrical Characteristics

Test Current	13 A
--------------	------

Contact Features

Contact Mating Area Plating Material	Precious Metal
Contact Current Rating (Max)	13 A
Contact Type	Pin
Contact Retention Within Housing	With
Mating Pin Diameter	1.57 mm[.062 in]
Contact Base Material	Brass
Contact Mating Area Plating Material Thickness	.76 μm[30 μin]
Contact Mating Area Plating Material Finish	Bright
Wire Contact Termination Area Plating Material Thickness	.076 μm[3 μin]
Wire Contact Termination Area Plating Material	Gold Flash
Wire Contact Termination Area Plating Material Finish	Bright
Contact Orientation	Straight
Contact Underplating Material	Nickel



Contact Underplating Material Thickness	1.27 μm[50 μin]
---	-----------------

Contact Size	16
--------------	----

Termination Features

Termination Method to Wire & Cable	Crimp
------------------------------------	-------

Mechanical Attachment

Wire Insulation Support	With
-------------------------	------

Dimensions

Wire Size	.75 – 1.5 mm ²
-----------	---------------------------

Accepts Wire Insulation Diameter Range	2 – 2.5 mm[.078 – .098 in]
--	----------------------------

Usage Conditions

Operating Temperature Range	-55 – 150 °C[-67 – 302 °F]
-----------------------------	----------------------------

Operation/Application

Circuit Application	Power & Signal
---------------------	----------------

Identification Marking

Color Code	Blue
------------	------

Packaging Features

Packaging Method	Reel
------------------	------

Packaging Quantity	5000
--------------------	------

Other

Wire Type	Regular Wire
-----------	--------------

Product Compliance

For compliance documentation, visit the product page on [TE.com](https://www.te.com)>

EU RoHS Directive 2011/65/EU	Compliant
------------------------------	-----------

EU ELV Directive 2000/53/EC	Compliant
-----------------------------	-----------

China RoHS 2 Directive MIIT Order No 32, 2016	No Restricted Materials Above Threshold
---	---

EU REACH Regulation (EC) No. 1907/2006	Current ECHA Candidate List: JUN 2020 (209) Candidate List Declared Against: JUN 2020 (209) Does not contain REACH SVHC
--	---

Halogen Content	Low Halogen - Br, Cl, F, I < 900 ppm per homogenous material. Also BFR/CFR/PVC Free
-----------------	---

Solder Process Capability

Not applicable for solder process capability

Product Compliance Disclaimer

This information is provided based on reasonable inquiry of our suppliers and represents our current actual knowledge based on the information they provided. This information is subject to change. The part numbers that TE has identified as EU RoHS compliant have a maximum concentration of 0.1% by weight in homogenous materials for lead, hexavalent chromium, mercury, PBB, PBDE, DBP, BBP, DEHP, DIBP, and 0.01% for cadmium, or qualify for an exemption to these limits as defined in the Annexes of Directive 2011/65/EU (RoHS2). Finished electrical and electronic equipment products will be CE marked as required by Directive 2011/65/EU. Components may not be CE marked. Additionally, the part numbers that TE has identified as EU ELV compliant have a maximum concentration of 0.1% by weight in homogenous materials for lead, hexavalent chromium, and mercury, and 0.01% for cadmium, or qualify for an exemption to these limits as defined in the Annexes of Directive 2000/53/EC (ELV). Regarding the REACH Regulation, the information TE provides on SVHC in articles for this part number is based on the latest European Chemicals Agency (ECHA) 'Guidance on requirements for substances in articles' posted at this URL: <https://echa.europa.eu/guidance-documents/guidance-on-reach>

Compatible Parts



TE Model / Part # 91505-1
CERTICRIMP 2,SAHT TYPE III+



TE Model / Part # 200893-2
INSERTION TOOL CONT



TE Model / Part # 539972-1
EXTRACTION TOOL



TE Model / Part # 58495-2
PROCRIMPER DIE ASSY MULTIMATE



TE Model / Part # 58495-1
PRO CRIMPER ASSY MULTIMATE




TE Model / Part # 305183
EXTRACT TOOL TYPE 2 20-16



TE Model / Part # 169422-1
MINI CERTI-LOK III+

Also in the Series | AMP Type III+



Power Contacts(409)

Customers Also Bought



TE Model / Part #1909783-4
WIRE TO BOARD HOUSING 1.2MM
TOP ENTRY



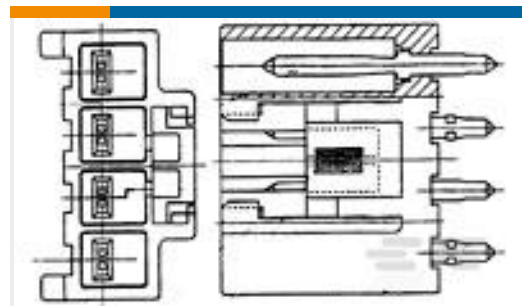
TE Model / Part #2267073-1
PMS9P1B07M2RE



TE Model / Part #1969609-3
3P VAL-U-LOK TPA 26-22 AWG



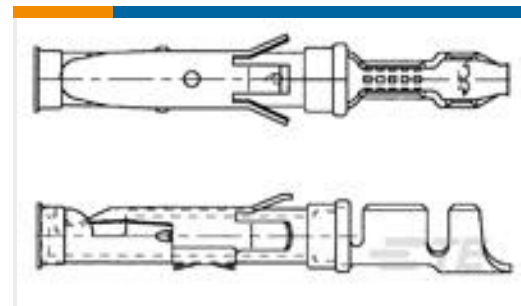
TE Model / Part #1-1744446-0
Hdr Assy, EP 2.5 RA, 10 Pos., GW



TE Model / Part #1-178487-1
UP 3.96 4P TAB HDR NAT TYPE 2



TE Model / Part #1744439-5
EP2.5 Shrd HDR ASSY 5P VERT, GW



TE Model / Part #163083-2
.062 DIA SOC ASS 3+



TE Model / Part #1969591-4
HSG, REC, PANEL MOUNT, GWT,
SINGLE ROW, EP2.5

Documents

Product Drawings

[.062 DIA PIN ASSY 3+](#)

English

CAD Files

[3D PDF](#)

3D

Customer View Model

[ENG_CVM_CVM_163081-2_AY.2d_dxf.zip](#)

English

Customer View Model

[ENG_CVM_CVM_163081-2_AY.3d_igs.zip](#)

English

Customer View Model

[ENG_CVM_CVM_163081-2_AY.3d_stp.zip](#)

English

By downloading the CAD file I accept and agree to the [Terms and Conditions](#) of use.

Product Specifications

[Product Specification](#)

English

Product Environmental Compliance

[TE Material Declaration](#)

English