

2217480-1 ✓ ACTIVE

AMP

TE Internal #: 2217480-1

Portable Crimp Tools, Commercial Crimp Tooling, Removable/Interchangeable, Battery (110v), Base Power Unit (No Crimp Tooling)

[View on TE.com >](#)



Application Tooling > Portable Crimp Tools



Tool Grade: **Commercial Crimp Tooling**

Die Sets Type: **Removable/Interchangeable**

Certification: **Cannot be Certified**

Power Type: **Battery (110v)**

Tool Type: **Base Power Unit (No Crimp Tooling)**

Features

Other

Tool Grade	Commercial Crimp Tooling
Die Sets Type	Removable/Interchangeable
Certification	Cannot be Certified
Power Type	Battery (110v)
Tool Type	Base Power Unit (No Crimp Tooling)

Product Compliance

[For compliance documentation, visit the product page on TE.com>](#)

EU RoHS Directive 2011/65/EU	Out of Scope
EU ELV Directive 2000/53/EC	Out of Scope
China RoHS 2 Directive MIIT Order No 32, 2016	Not reviewed for China RoHS compliance
EU REACH Regulation (EC) No. 1907/2006	Current ECHA Candidate List: JUN 2020 (209) Candidate List Declared Against: JUN 2016 (169) Does not contain REACH SVHC
Halogen Content	Not Yet Reviewed for halogen content
Solder Process Capability	Not applicable for solder process capability

Product Compliance Disclaimer



This information is provided based on reasonable inquiry of our suppliers and represents our current actual knowledge based on the information they provided. This information is subject to change. The part numbers that TE has identified as EU RoHS compliant have a maximum concentration of 0.1% by weight in homogenous materials for lead, hexavalent chromium, mercury, PBB, PBDE, DBP, BBP, DEHP, DIBP, and 0.01% for cadmium, or qualify for an exemption to these limits as defined in the Annexes of Directive 2011/65/EU (RoHS2). Finished electrical and electronic equipment products will be CE marked as required by Directive 2011/65/EU. Components may not be CE marked. Additionally, the part numbers that TE has identified as EU ELV compliant have a maximum concentration of 0.1% by weight in homogenous materials for lead, hexavalent chromium, and mercury, and 0.01% for cadmium, or qualify for an exemption to these limits as defined in the Annexes of Directive 2000/53/EC (ELV). Regarding the REACH Regulations, TE's information on SVHC in articles for this part number is still based on the European Chemical Agency (ECHA) 'Guidance on requirements for substances in articles' (Version: 2, April 2011), applying the 0.1% weight on weight concentration threshold at the finished product level. TE is aware of the European Court of Justice ruling of September 10th, 2015 also known as O5A (Once An Article Always An Article) stating that, in case of 'complex object', the threshold for a SVHC must be applied to both the product as a whole and simultaneously to each of the articles forming part of its composition. TE has evaluated this ruling based on the new ECHA "Guidance on requirements for substances in articles" (June 2017, version 4.0) and will be updating its statements accordingly.

Compatible Parts



TE Model / Part # 696451-1
PIDG 22-16 K-D,NI-PL

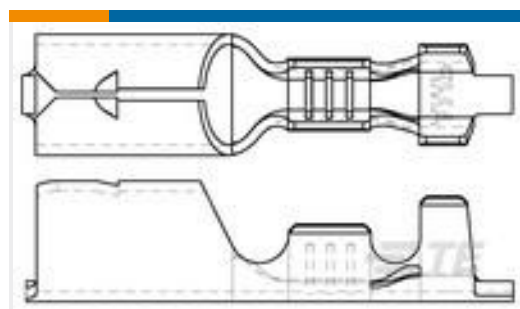
Customers Also Bought



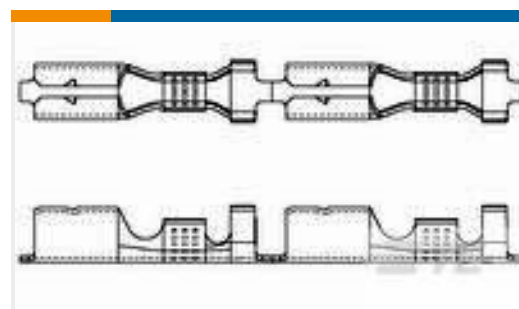
TE Model / Part #2151669-1
OCEAN-2.0-APPLICATOR-S-062F1200



TE Model / Part #281988-3
SPOS MODULAR CONN FOR MICRO RE



TE Model / Part #881724-1
.156 DIA SHUR PWG R



TE Model / Part #626399-2
.140 SHUR PLUG REC.



TE Model / Part #626580-2
PL 250 REC 1.0-2.5MM2 0.35X26.54
TPPHBZ



KIT
TE Model / Part #7-2836244-7
OCEAN_2.0_SPARE_PART_KIT-
090F1550

Documents

[Datasheets & Catalog Pages](#)

[Crimp Term Whitepaper-Use the Right Tool 1-1773953-1](#)



English

[CRIMPING WHERE FORM MEETS FUNCTION](#)

English

[Bottoming Dies](#)

English

[Instruction Sheets](#)

[Standard Die Envelope \(SDE\) Lithium-Ion Battery-Powered Crimping Tool Kits 2217480-\[\]](#)

German

[Standard Die Envelope \(SDE\) Lithium-Ion Battery-Powered Crimping Tool Kits; PN 2217480-\[\]](#)

English

[Standard Die Envelope \(SDE\) Lithium-Ion Battery-Powered Crimping Tool Kits, PN 2217480-\[\]](#)

[Standard Die Envelope \(SDE\) Lithium-Ion Battery-Powered Crimping Tool Kits; PN 2217480-\[\]](#)

French

[Standard Die Envelope \(SDE\) Lithium-Ion Battery-Powered Crimping Tool Kits, PN 2217480-\[\]](#)

[Standard Die Envelope \(SDE\) Lithium-Ion Battery-Powered Crimping Tool Kits; PN 2217480-\[\]](#)

[Agency Approvals](#)

[CE Technical File](#)

English