

745254-3 ✓ ACTIVE

AMPLIMITE

TE Internal #: 745254-3

D-Sub Connector Contacts, Pin, 20 D-Sub Contact Size, Brass, Gold, Crimp, 26 – 22AWG Wire Size, .15 – .4mm² Wire Size, Cable-to-Cable, Wire & Cable

[View on TE.com >](#)



Connectors > D-Shaped Connectors > D-Sub Connector Contacts



Contact Type: **Pin**

D-Sub Contact Size: **20**

Contact Base Material: **Brass**

Contact Mating Area Plating Material: **Gold**

Termination Method to Wire & Cable: **Crimp**

Features

Product Type Features

Product Type	Contact
Grade	Standard
Connector System	Cable-to-Cable
Connector & Contact Terminates To	Wire & Cable

Contact Features

	1 µin
Pin Diameter	1.02 mm[.04 in]
Contact Type	Pin
D-Sub Contact Size	20
Contact Base Material	Brass
Contact Mating Area Plating Material	Gold
Contact Current Rating (Max)	2 A

Termination Features

Termination Method to Wire & Cable	Crimp
------------------------------------	-------



Mechanical Attachment

Contact Retention Type Within Housing	Snap-In
Wire Insulation Support	With

Dimensions

	.05 in
Accepts Wire Insulation Diameter Range	1.01 – 1.27 mm [.04 – .05 in]
Wire Size	.15 – .4 mm ²

Usage Conditions

Operating Temperature Range	-55 – 105 °C [-67 – 221 °F]
-----------------------------	-----------------------------

Operation/Application

For Use With	AMPLIMITE HDP-20, CPC Connectors
Circuit Application	Signal

Packaging Features

Packaging Quantity	10000
Packaging Method	Strip/Reel

Product Compliance

For compliance documentation, visit the product page on [TE.com](https://www.te.com)>

EU RoHS Directive 2011/65/EU	Compliant
EU ELV Directive 2000/53/EC	Compliant
China RoHS 2 Directive MIIT Order No 32, 2016	No Restricted Materials Above Threshold
EU REACH Regulation (EC) No. 1907/2006	Current ECHA Candidate List: JUN 2020 (209) Candidate List Declared Against: JUN 2020 (209) Does not contain REACH SVHC
Halogen Content	Low Halogen - Br, Cl, F, I < 900 ppm per homogenous material. Also BFR/CFR/PVC Free
Solder Process Capability	Not applicable for solder process capability

Product Compliance Disclaimer

This information is provided based on reasonable inquiry of our suppliers and represents our current actual knowledge based on the information they provided. This information is subject to change. The part numbers that TE has identified as EU RoHS compliant have a maximum concentration of 0.1% by weight in homogenous materials for lead, hexavalent chromium, mercury, PBB, PBDE, DBP, BBP, DEHP, DIBP, and 0.01% for cadmium, or qualify for an exemption to these limits as defined in the Annexes of Directive 2011/65/EU (RoHS2). Finished electrical and electronic equipment products

will be CE marked as required by Directive 2011/65/EU. Components may not be CE marked. Additionally, the part numbers that TE has identified as EU ELV compliant have a maximum concentration of 0.1% by weight in homogenous materials for lead, hexavalent chromium, and mercury, and 0.01% for cadmium, or qualify for an exemption to these limits as defined in the Annexes of Directive 2000/53/EC (ELV). Regarding the REACH Regulation, the information TE provides on SVHC in articles for this part number is based on the latest European Chemicals Agency (ECHA) 'Guidance on requirements for substances in articles' posted at this URL: <https://echa.europa.eu/guidance-documents/guidance-on-reach>

Compatible Parts



TE Model / Part # CAT-AM71-
C83998BB
CPC SERIES 3



TE Model / Part # CAT-AM71-C83998M
CPC SERIES 2



TE Model / Part # 2305570-1
TERMINAL CUTTER, SIDE FEED



TE Model / Part # 91285-1
INSERT/EXTRACT TOOL ASSEMBLY



TE Model / Part # 2151026-1
OCEAN-2.0-APPLICATOR-S-042F062O



TE Model / Part # 91525-1
CERTICRIMP 2,SAHT AMPLIMITE



TE Model / Part # 1579007-9
EXTRACTION TOOL



TE Model / Part # 2-2151026-1
OCEAN-2.0-APPLICATOR-S-042F062O



TE Model / Part # 2-2151026-2
OCEAN-2.0-APPLICATOR-S-
042F062OA



TE Model / Part # 2151026-2
OCEAN-2.0-APPLICATOR-S-
042F062OA



TE Model / Part # 5-2151026-1
OCEAN-2.0-APPLICATOR-S-042F062O



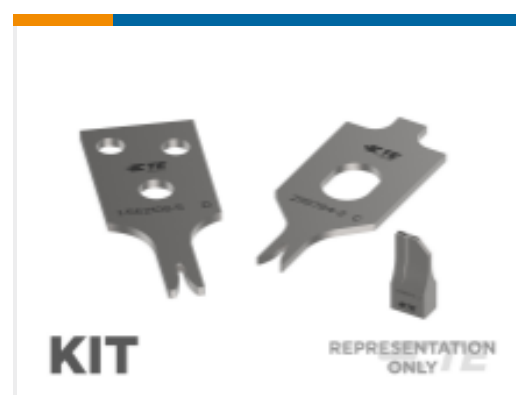
TE Model / Part # 5-2151026-2
OCEAN-2.0-APPLICATOR-S-
042F062OA



TE Model / Part # 7-2151026-1
OCEAN-2.0-APPLICATOR-S-042F062O



TE Model / Part # 7-2151026-2
OCEAN-2.0-APPLICATOR-S-
042F062OA



TE Model / Part # 7-2151026-7
OCEAN_2.0_SPARE_PART_KIT-
042F062O

Customers Also Bought



TE Model / Part #1852646-1
EFHBPO200TABLOCK.2100 LM/G



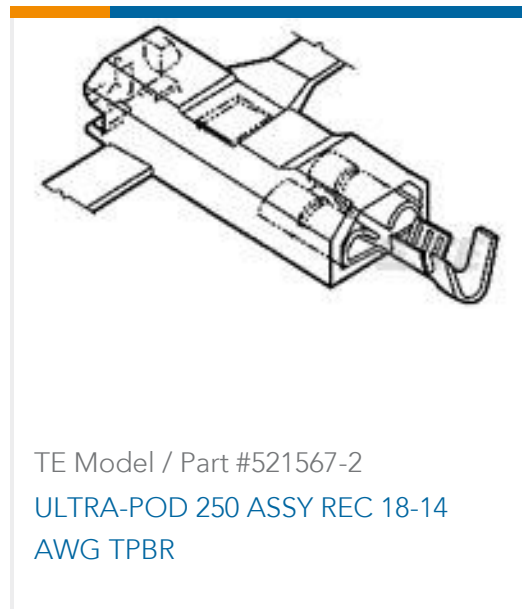
TE Model / Part #4-690512-8
COMB ANVIL



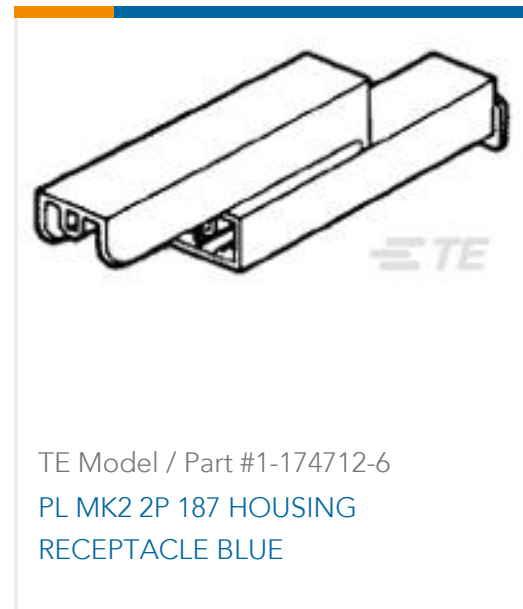
TE Model / Part #1338217-1
ANVIL, WIDE



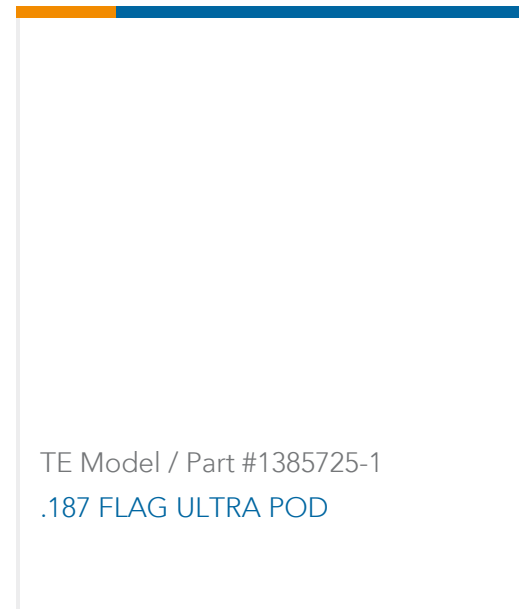
TE Model / Part #2029268-1
06P UMNL WIRE SEAL IN-LINE



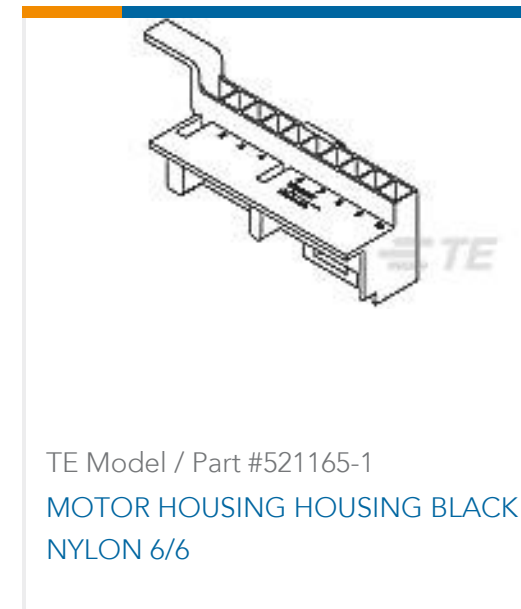
TE Model / Part #521567-2
ULTRA-POD 250 ASSY REC 18-14
AWG TPBR



TE Model / Part #1-174712-6
PL MK2 2P 187 HOUSING
RECEPTACLE BLUE



TE Model / Part #1385725-1
.187 FLAG ULTRA POD



TE Model / Part #521165-1
MOTOR HOUSING HOUSING BLACK
NYLON 6/6



TE Model / Part #6-456134-7
CRIMPER, INSULATION "F" (.210")



TE Model / Part #680020-2
MACH,U-PODFLAG 9EAPR080F1400
K

Documents

Product Drawings

20 DF PIN PLTD

English

CAD Files

3D PDF

3D

Customer View Model

[ENG_CVM_CVM_745254-3_AE_c-745254-3-ae.2d_dxf.zip](#)

English

Customer View Model

[ENG_CVM_CVM_745254-3_AE_c-745254-3-ae.3d_igs.zip](#)

English

Customer View Model

[ENG_CVM_CVM_745254-3_AE_c-745254-3-ae.3d_stp.zip](#)

English

By downloading the CAD file I accept and agree to the [Terms and Conditions](#) of use.

Datasheets & Catalog Pages



[AMP Circular Connectors for Commercial Signal & Power Applications](#)

English

[Signal Contacts](#)

English

[AMPLIMITE Subminiature D Connectors - Cable Connectors](#)

English

[AMPLIMITE Cable Connectors and Shielding Hardware Kits QRG](#)

English

Product Specifications

[Application Specification](#)

English

[Application Specification](#)

English

Product Environmental Compliance

[MD_745254-3_07172017734_dmtec](#)

English

[MD_745254-3_07172017734_dmtec](#)

English

Instruction Sheets

[Instruction Sheet \(U.S.\)](#)

English