



Axicom | Axicom IM

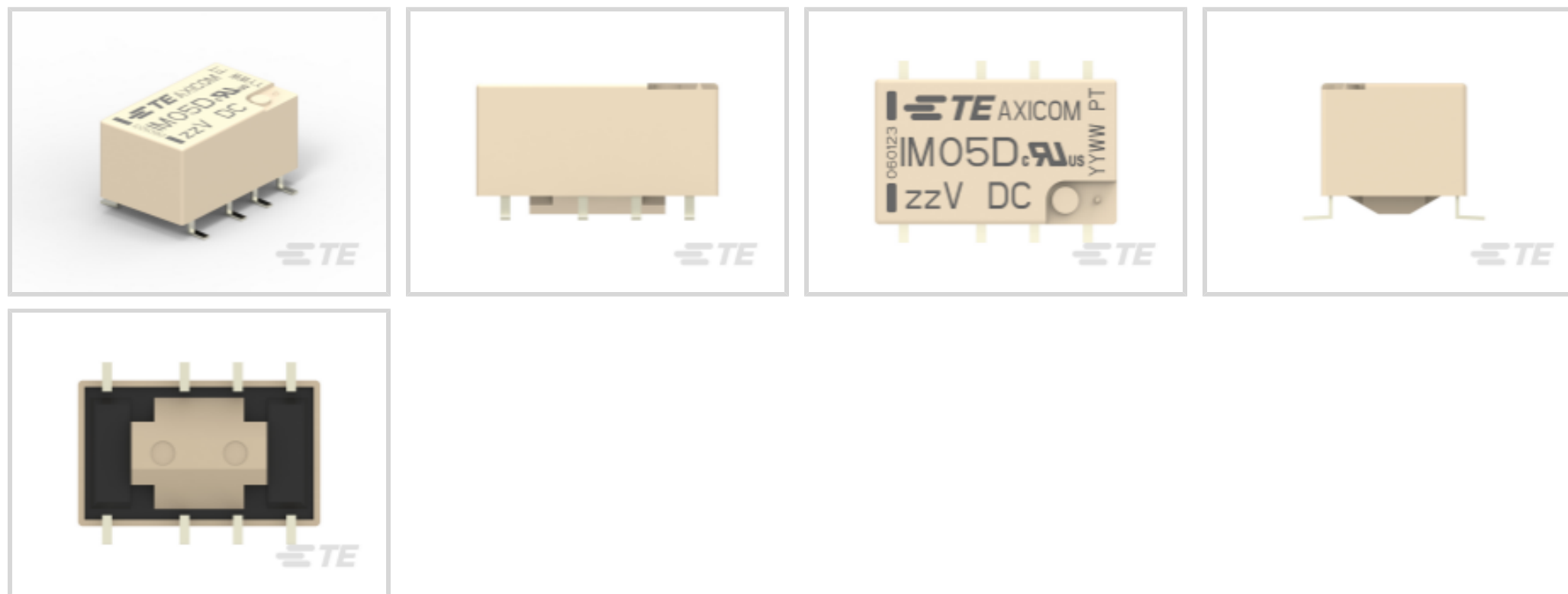
TE Internal #: 1-1462039-7

Axicom IM, Signal Relays, 220VDC Contact Voltage Rating, 250VAC

Contact Voltage Rating, 140mW Coil Power Rating (DC)

[View on TE.com >](#)

Relays, Contactors & Switches > Relays > Signal Relays



Contact Voltage Rating: **250 VAC**

Coil Power Rating (DC): **140 mW**

Isolation (HF Parameter): **-18.8dB @ 900MHz, -37dB @ 100MHz**

Insertion Loss (HF Parameter): **-.03dB @ 100MHz, -.33dB @ 900MHz**

## Features

### Product Type Features

Relay Type	IM Relay
Product Type	Relay

### Electrical Characteristics

Coil Power Rating Class	50 – 300 mW
Actuating System	DC
Insulation Initial Dielectric Between Open Contacts	750 Vrms
Contact Limiting Short-Time Current	5 A
Insulation Initial Dielectric Between Contacts and Coil	1500 Vrms
Insulation Initial Dielectric Between Coil/Contact Class	1000 V – 1500 VA
Voltage Standing Wave Ration (HF Parameter)	1.06 @ 100MHz, 1.49 @ 900Mhz
Insulation Initial Dielectric Between Adjacent Contacts	750 Vrms
Insulation Initial Resistance	1000000 MΩ
Contact Limiting Making Current	5 A
Coil Resistance	579 Ω
Contact Limiting Continuous Current	5 A



Coil Type	Monostable
Contact Limiting Breaking Current	5 A
Contact Switching Load (Min)	.1mA @ .0001V
Contact Voltage Rating	250 VAC
Coil Power Rating (DC)	140 mW
Coil Voltage Rating	9 VDC
Contact Switching Voltage (Max)	220 VDC
Coil Magnetic System	Monostable, DC, Polarized

### Signal Characteristics

Isolation (HF Parameter)	-18.8dB @ 900MHz, -37dB @ 100MHz
Insertion Loss (HF Parameter)	-.03dB @ 100MHz, -.33dB @ 900MHz

### Body Features

Insulation Special Features	2000V Initial Surge Withstand Voltage Between Contacts & Coil
Weight	.75 g[.026 oz]

### Contact Features

Contact Plating Material	Gold
Contact Current Class	0 – 5 A
Contact Special Features	Bifurcated/Twin Contacts
Terminal Type	PCB-SMT
Contact Current Rating	5 A
Contact Arrangement	2 Form C (2 CO)
Contact Material	AgNi+Au
Contact Number of Poles	2

### Termination Features

Termination Type	Surface Mount
------------------	---------------

### Mechanical Attachment

Mounting Type	Printed Circuit Board
---------------	-----------------------

### Dimensions

Width Class (Mechanical)	0 – 6 mm
Width	6 mm[.222 in]
Height	5.65 mm



Length Class (Mechanical)	0 – 10 mm
Length	10 mm[.393 in]
Height Class (Mechanical)	0 – 6 mm
Dimensions (L x W x H) (Approximate)	10 x 6 x 5.65 mm[.393 x .236 x .222 in]

### Usage Conditions

Environmental Ambient Temperature (Max)	85 °C[185 °F]
Environmental Ambient Temperature Class	70 – 85°C
Environmental Category of Protection	RTV
Operating Temperature Range	-40 – 85 °C, -40 – 85 °C

### Operation/Application

Performance Type	High Current
------------------	--------------

### Packaging Features

Packaging Method	Reel
------------------	------

### Other

Additional Features	Gull Wing
---------------------	-----------

## Product Compliance

[For compliance documentation, visit the product page on TE.com>](#)

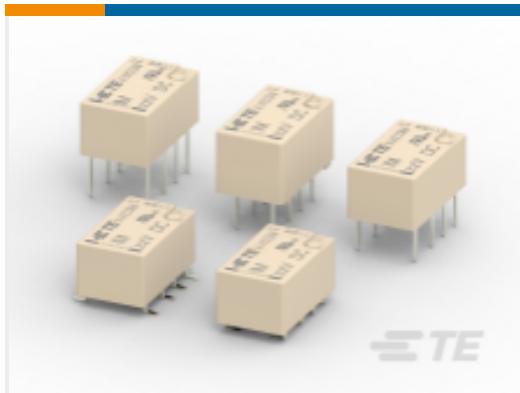
EU RoHS Directive 2011/65/EU	Compliant
EU ELV Directive 2000/53/EC	Compliant
China RoHS 2 Directive MIIT Order No 32, 2016	No Restricted Materials Above Threshold
EU REACH Regulation (EC) No. 1907/2006	Current ECHA Candidate List: JUN 2020 (209) Candidate List Declared Against: JUN 2020 (209) Does not contain REACH SVHC
Halogen Content	Not Low Halogen - contains Br or Cl > 900 ppm.
Solder Process Capability	Reflow solder capable to 260°C

#### Product Compliance Disclaimer

This information is provided based on reasonable inquiry of our suppliers and represents our current actual knowledge based on the information they provided. This information is subject to change. The part numbers that TE has identified as EU RoHS compliant have a maximum concentration of 0.1% by weight in homogenous materials for lead, hexavalent chromium, mercury, PBB, PBDE, DBP, BBP, DEHP, DIBP, and 0.01% for cadmium, or qualify for an exemption to these limits as defined in the Annexes of Directive 2011/65/EU (RoHS2). Finished electrical and electronic equipment products will be CE marked as required by Directive 2011/65/EU. Components may not be CE marked. Additionally, the part numbers that TE has identified as EU ELV compliant have a maximum concentration of 0.1% by weight in homogenous

materials for lead, hexavalent chromium, and mercury, and 0.01% for cadmium, or qualify for an exemption to these limits as defined in the Annexes of Directive 2000/53/EC (ELV). Regarding the REACH Regulation, the information TE provides on SVHC in articles for this part number is based on the latest European Chemicals Agency (ECHA) 'Guidance on requirements for substances in articles' posted at this URL: <https://echa.europa.eu/guidance-documents/guidance-on-reach>

## Compatible Parts

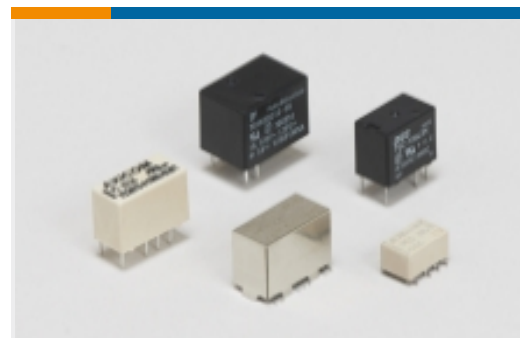


TE Model / Part # CAT-AX41-IM11B  
IM STANDARD (2 FORM C, 2CO CONTACTS)

## Also in the Series | Axicom IM



RJ45 Connectors(2)



Signal Relays(122)

## Customers Also Bought



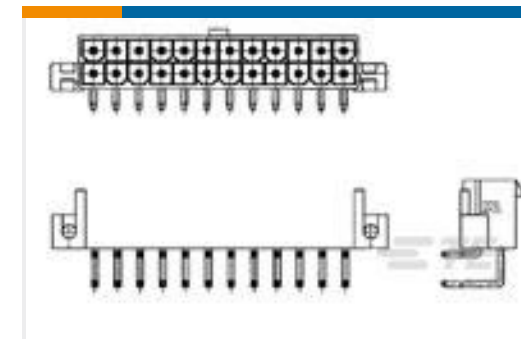
TE Model / Part #3-2176054-5  
RLP73M 2A R047 5% 5KRL



TE Model / Part #3-2176246-7  
CRGS2512 5% 1K0



TE Model / Part #1-332070-3  
SOCKET,MIN-SPR W/H AU SER-4



TE Model / Part #1-1586044-2  
12P VAL-U-LOK R/A HDR SCRMT V0



TE Model / Part #103148-2  
02 MODII HDR SRRA B/A .100CL



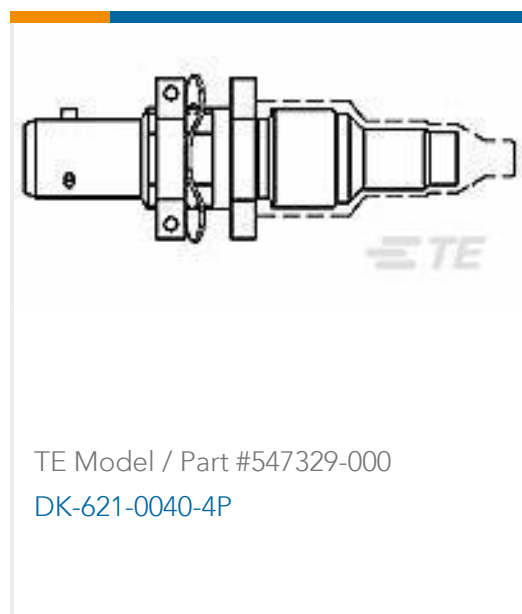
TE Model / Part #103148-3  
03 MODII HDR SRRA B/A .100CL



TE Model / Part #5-146261-6  
12 MODII HDR DRST B/A .100CL LF



TE Model / Part #6368062-1  
2X4 OFFSET STK MJ,SHLD,W/LED



## Documents

### Product Drawings

[IM05DGR=IM RELAY 140MW 9V](#)

English

[IM05DGR=IM RELAY 140MW 9V](#)

English

### CAD Files

[3D PDF](#)

3D

[Customer View Model](#)

[ENG\\_CVM\\_CVM\\_1462037-2\\_A.2d\\_dxf.zip](#)

English

[Customer View Model](#)

[ENG\\_CVM\\_CVM\\_1462037-2\\_A.3d\\_igs.zip](#)

English

[Customer View Model](#)

[ENG\\_CVM\\_CVM\\_1462037-2\\_A.3d\\_stp.zip](#)

English

By downloading the CAD file I accept and agree to the [Terms and Conditions](#) of use.

### Datasheets & Catalog Pages

[Axicom Signal and High Frequency Relays \(RF Switches\) APPLICATION NOTE #2](#)

English

[Industrial Relays Quick Reference Guide](#)

English

[IM Relay Datasheet](#)

English

### Product Specifications

[Definitions Relays](#)

English