

4-6609959-3 ✓ ACTIVE

Corcom | Corcom P

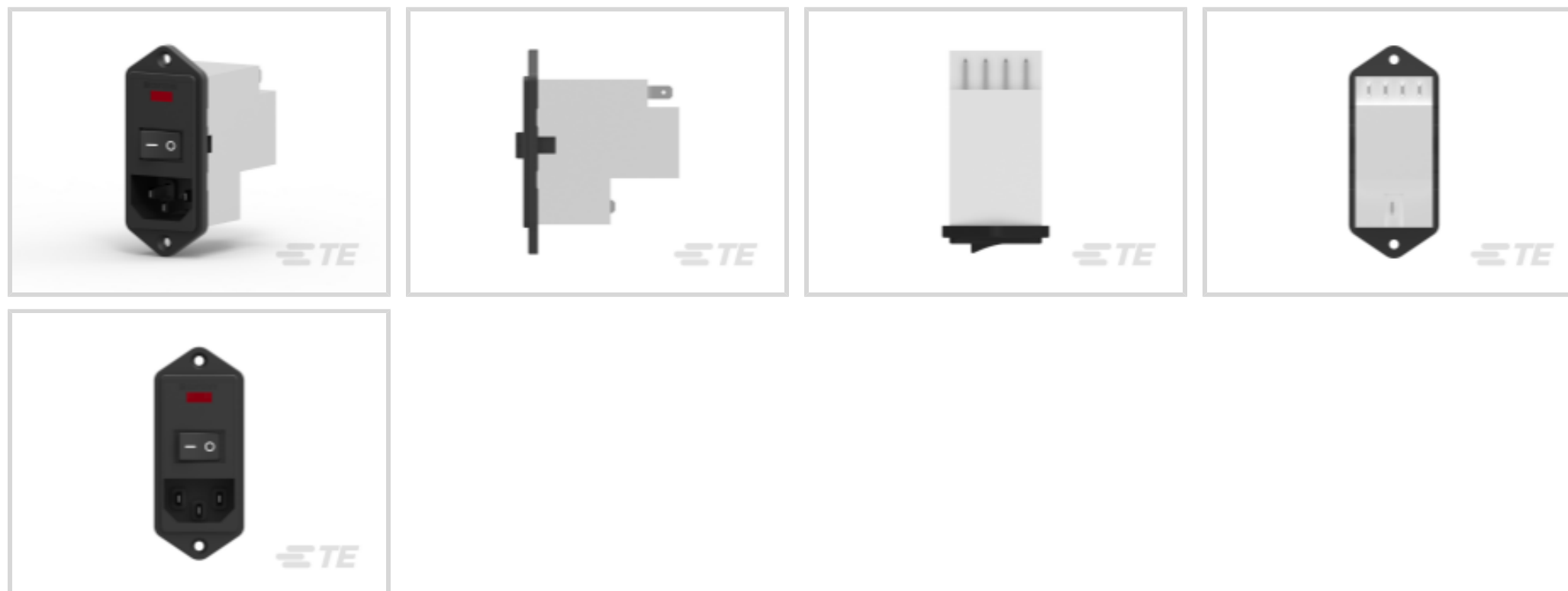
TE Internal #: 4-6609959-3

Corcom P, Multi-Function Inlet Filters, Power Entry (Filtered /Unfiltered), 2-Voltage, Dual AC (SMPS) Input, DPST, None, Vertical

[View on TE.com >](#)



EMI Filters > Multi-Function Inlet Filters > CORCOM P SERIES MULTI-FUNCTION INLET FIL



Filter Type: **Power Entry (Filtered/Unfiltered)**

Voltage Selection: **2-Voltage**

Input Voltage Select: **Dual AC (SMPS)**

Switch Type: **DPST**

Shield Style: **None**

[All CORCOM P SERIES MULTI-FUNCTION INLET FIL \(300\)](#)

Features

Product Type Features

Ground Choke Option	No
Level Of Filtering	Inductor & Capacitor
Ground Option	None
Filter Type	Power Entry (Filtered/Unfiltered)
Switch Type	DPST
Input Type	IEC
Output Type	.187" FASTON
Filtered	Yes
Type of Connector	IEC 60320-1 C-14
Accessory Type	Fuse Clip

Configuration Features

Extender Options	None
Voltage Selection	2-Voltage



Fuse Options	Dual
--------------	------

Electrical Characteristics

Input Voltage Select	Dual AC (SMPS)
Leakage Current (Max) (120VAC, 60Hz)	2 μ A
Leakage Current (Max) (250VAC, 50Hz)	5 μ A
Current Rating	10 A
Voltage (Max)	115 VAC, 230 VAC

Body Features

Shield Style	None
--------------	------

Mechanical Attachment

Mount Angle	Vertical
Mount Style	Flanged

Dimensions

Panel Thickness Range	.79 – 2 mm [.031 – .079 in]
-----------------------	-----------------------------

Usage Conditions

Operating Temperature Range	-10 – 40 °C
-----------------------------	-------------

Operation/Application

For Use With	P Series
--------------	----------

Product Compliance

[For compliance documentation, visit the product page on TE.com>](#)

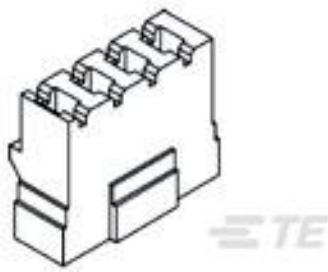
EU RoHS Directive 2011/65/EU	Compliant
EU ELV Directive 2000/53/EC	Compliant
China RoHS 2 Directive MIIT Order No 32, 2016	No Restricted Materials Above Threshold
EU REACH Regulation (EC) No. 1907/2006	Current ECHA Candidate List: JUN 2020 (209) Candidate List Declared Against: JUN 2020 (209) Does not contain REACH SVHC
Halogen Content	Not Low Halogen - contains Br or Cl > 900 ppm.
Solder Process Capability	Not applicable for solder process capability

Product Compliance Disclaimer



This information is provided based on reasonable inquiry of our suppliers and represents our current actual knowledge based on the information they provided. This information is subject to change. The part numbers that TE has identified as EU RoHS compliant have a maximum concentration of 0.1% by weight in homogenous materials for lead, hexavalent chromium, mercury, PBB, PBDE, DBP, BBP, DEHP, DIBP, and 0.01% for cadmium, or qualify for an exemption to these limits as defined in the Annexes of Directive 2011/65/EU (RoHS2). Finished electrical and electronic equipment products will be CE marked as required by Directive 2011/65/EU. Components may not be CE marked. Additionally, the part numbers that TE has identified as EU ELV compliant have a maximum concentration of 0.1% by weight in homogenous materials for lead, hexavalent chromium, and mercury, and 0.01% for cadmium, or qualify for an exemption to these limits as defined in the Annexes of Directive 2000/53/EC (ELV). Regarding the REACH Regulation, the information TE provides on SVHC in articles for this part number is based on the latest European Chemicals Agency (ECHA) 'Guidance on requirements for substances in articles' posted at this URL: <https://echa.europa.eu/guidance-documents/guidance-on-reach>

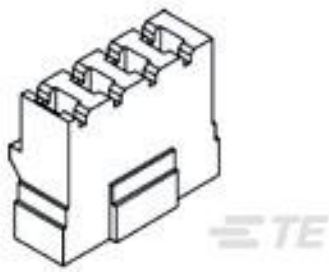
Compatible Parts



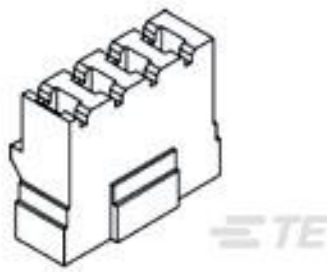
TE Model / Part # 1609140-3
PA105 J0=F6806



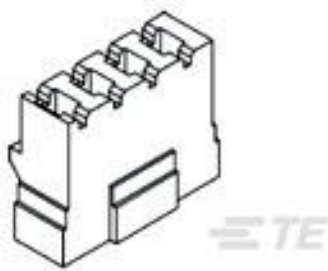
TE Model / Part # 1609142-1
GA400 POWER LINE CO=F6946



TE Model / Part # 1609140-1
PA100=F6800




TE Model / Part # 1609146-1
PA101 CONNECTOR PLU=F6998



TE Model / Part # 1609146-2
PA102 CONNECTOR PIN=F6999

Also in the Series | Corcom P

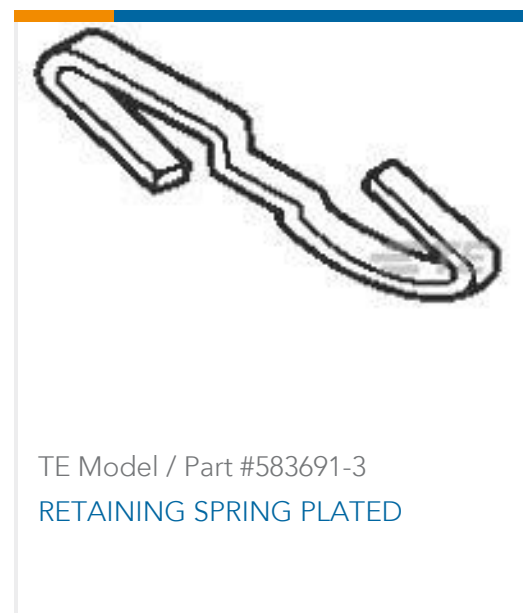


Filter Accessories(4)



Multi-Function Inlet Filters(368)

Customers Also Bought



Documents

Product Drawings

[PMOSSSBX0=C5257](#)

English

CAD Files

Customer View Model

[ENG_CVM_4-6609959-3_A.3d_igs.zip](#)

English

Customer View Model

[ENG_CVM_4-6609959-3_A.3d_stp.zip](#)

English

Customer View Model

[ENG_CVM_4-6609959-3_A.2d_dxf.zip](#)

English

3D PDF

English

By downloading the CAD file I accept and agree to the [Terms and Conditions](#) of use.

Datasheets & Catalog Pages

[1654001_CORCOM_PRODUCT_GUIDE](#)

English

[Corcom Combined Selector Charts](#)

English

[1-1654250-1_CORCOM_EMI_RFI_QRG](#)

English