



AMPLIMITE

TE Internal #: 206798-9

Box Mount D-Sub Connectors, Plug, Cable-to-Cable, 15 Position, 2

D-Sub Shell Size, Pin, 20 D-Sub Contact Size, 2.77mm [.109in]

Centerline

[View on TE.com >](#)

Connectors > D-Shaped Connectors > D-Sub Connectors > Box Mount D-Sub Connectors



Connector & Housing Type: **Plug**

Connector System: **Cable-to-Cable**

Number of Positions: **15**

Power/Signal/Coax Combination: **No**

D-Sub Shell Size: **2**

Features

Product Type Features

Product Type	Connector
Connector & Housing Type	Plug
Connector System	Cable-to-Cable
D-Sub Shell Size	2
Sealable	No
Connector & Contact Terminates To	Wire & Cable
Blindmate	No

Configuration Features

Number of Positions	15
Power/Signal/Coax Combination	No

Body Features

Retention Clip Material	Copper Alloy
Shell Plating Material	Gold
Shell Material	Brass
Non-Magnetic	Yes

Contact Features

Contact Type	Pin
	100 – 150 µin



Contact Mating Area Plating Material	Gold
Contact Base Material	Copper
D-Sub Contact Size	20
Contact Current Rating (Max)	7.5 A

Mechanical Attachment

Mounting Hole Diameter	3.05 mm[.12 in]
------------------------	-----------------

Housing Features

Centerline (Pitch)	2.77 mm[.109 in]
--------------------	------------------

Usage Conditions

Operating Temperature Range	-55 – 125 °C[-67 – 257 °F]
-----------------------------	----------------------------

Operation/Application

ULTRA-LITE Connector	No
Circuit Application	Signal

Packaging Features

Packaging Method	Package
------------------	---------

Product Compliance

[For compliance documentation, visit the product page on TE.com>](#)

EU RoHS Directive 2011/65/EU	Compliant
EU ELV Directive 2000/53/EC	Compliant
China RoHS 2 Directive MIIT Order No 32, 2016	No Restricted Materials Above Threshold
EU REACH Regulation (EC) No. 1907/2006	Current ECHA Candidate List: JUN 2020 (209) Candidate List Declared Against: JAN 2019 (197) Does not contain REACH SVHC
Halogen Content	Not Yet Reviewed for halogen content
Solder Process Capability	Wave solder capable to 265°C

Product Compliance Disclaimer

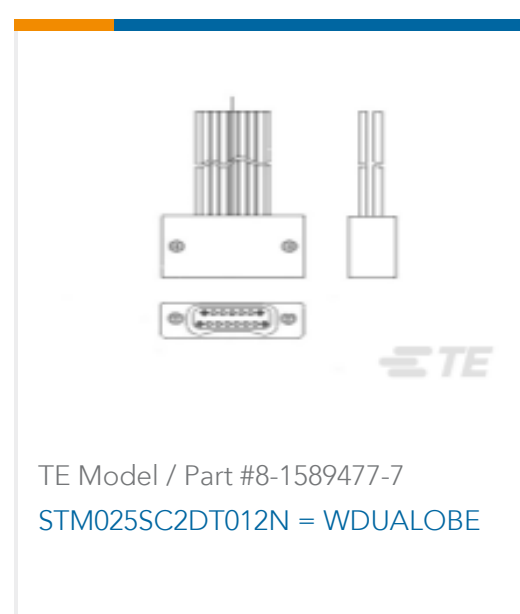
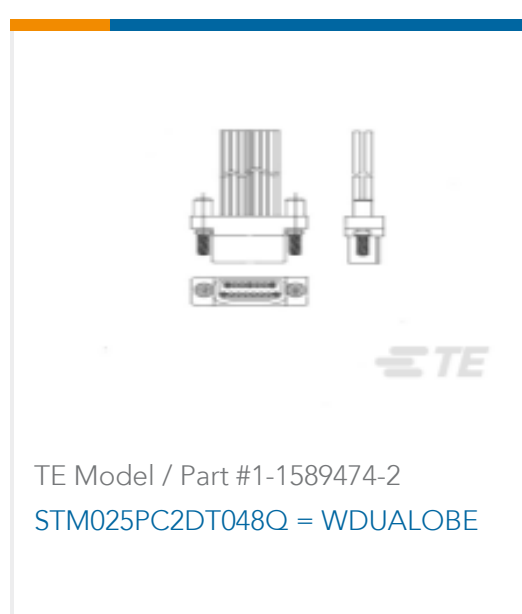
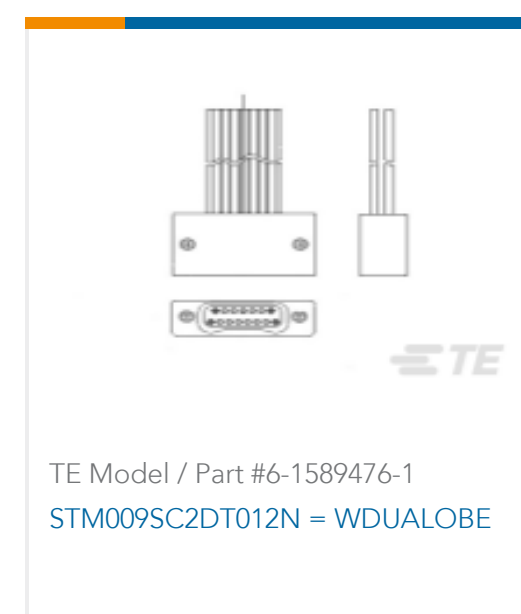
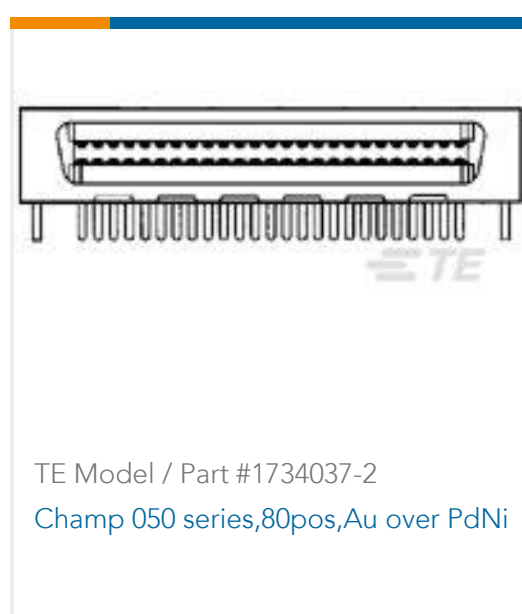
This information is provided based on reasonable inquiry of our suppliers and represents our current actual knowledge based on the information they provided. This information is subject to change. The part numbers that TE has identified as EU RoHS compliant have a maximum concentration of 0.1% by weight in homogenous materials for lead, hexavalent chromium, mercury, PBB, PBDE, DBP, BBP, DEHP, DIBP, and 0.01% for cadmium, or qualify for an exemption to these limits as defined in the Annexes of Directive 2011/65/EU (RoHS2). Finished electrical and electronic equipment products will be CE marked as required by Directive 2011/65/EU. Components may not be CE marked. Additionally, the part numbers that TE has identified as EU ELV compliant have a maximum concentration of 0.1% by weight in homogenous materials for lead, hexavalent chromium, and mercury, and 0.01% for cadmium, or qualify for an exemption to these limits

as defined in the Annexes of Directive 2000/53/EC (ELV). Regarding the REACH Regulation, the information TE provides on SVHC in articles for this part number is based on the latest European Chemicals Agency (ECHA) 'Guidance on requirements for substances in articles' posted at this URL: <https://echa.europa.eu/guidance-documents/guidance-on-reach>

Compatible Parts



Customers Also Bought



Documents

Product Drawings

PLG ASSY, 15 POS, AMPLIMITE

English



CAD Files

3D PDF

3D

Customer View Model

[ENG_CVM_CVM_206798-9_AA.2d_dxf.zip](#)

English

Customer View Model

[ENG_CVM_CVM_206798-9_AA.3d_igs.zip](#)

English

Customer View Model

[ENG_CVM_CVM_206798-9_AA.3d_stp.zip](#)

English

By downloading the CAD file I accept and agree to the [Terms and Conditions](#) of use.

Agency Approvals

UL Report

English