

1099899-7 ✓ ACTIVE

UTILUX

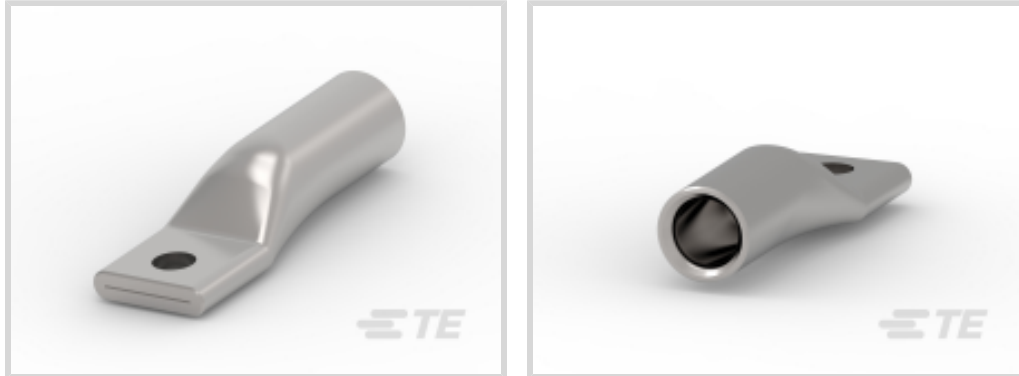
TE Internal #: 1099899-7

Compression Connectors, ASIA / AMERICAS, Compression, ≤ 35 kV, Copper, 0 AWG, 1 Hole, Stud Size 1/2

[View on TE.com >](#)



Power Systems > Power System Connectors > Compression Connectors



Product Availability: AMERICAS, ASIA

Technology: Compression

Voltage Class: ≤ 35 kV

Conductor Material: Copper

Conductor Size: [0 AWG]

Features

Product Type Features

Technology	Compression
------------	-------------

Configuration Features

Number of Holes	1
-----------------	---

Electrical Characteristics

Voltage Class	≤ 35 kV
---------------	---------

Body Features

Barrel Type	Long
Conductor Type	Stranded
Conductor Material	Copper

Dimensions

Conductor Size	0 AWG
Stud Size	1/2

Operation/Application

Free of Lead, Cadmium, Heavy Metals	Yes
Application Type	Power Distribution
Energized Installation	No

Industry Standards

Industry Standards	
--------------------	--



CSA Certified	Yes
UL Listed	Yes

Product Availability

Product Availability	AMERICAS, ASIA
----------------------	----------------

Other

Die Color Code	Pink
----------------	------

Product Compliance

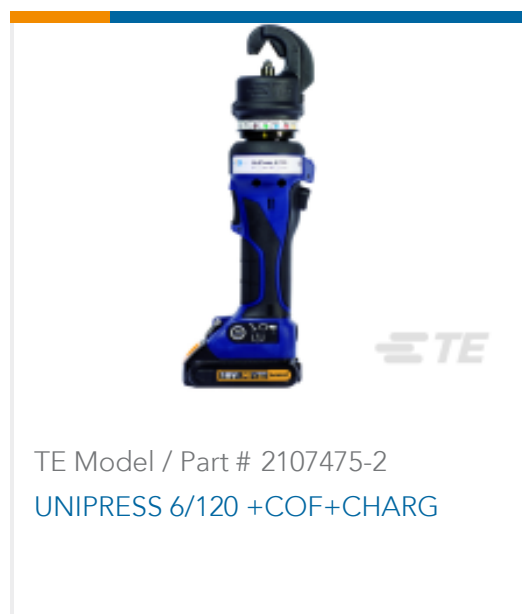
[For compliance documentation, visit the product page on TE.com>](#)

EU RoHS Directive 2011/65/EU	Compliant
EU ELV Directive 2000/53/EC	Compliant
China RoHS 2 Directive MIIT Order No 32, 2016	No Restricted Materials Above Threshold
EU REACH Regulation (EC) No. 1907/2006	Current ECHA Candidate List: JUN 2020 (209) Candidate List Declared Against: JUL 2019 (201) Does not contain REACH SVHC
Halogen Content	Low Halogen - Br, Cl, F, I < 900 ppm per homogenous material. Also BFR/CFR/PVC Free
Solder Process Capability	Not applicable for solder process capability

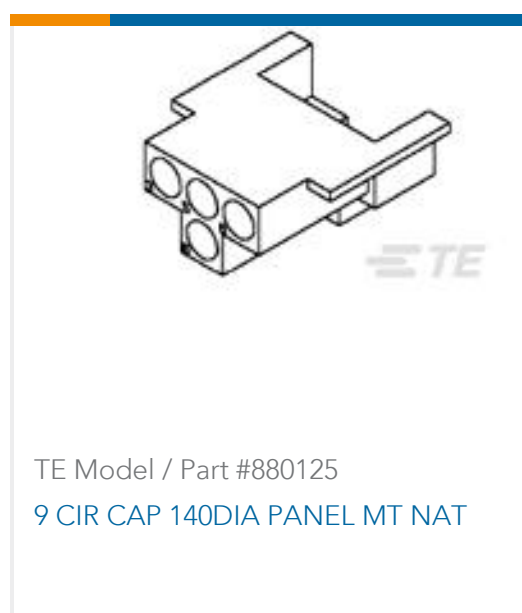
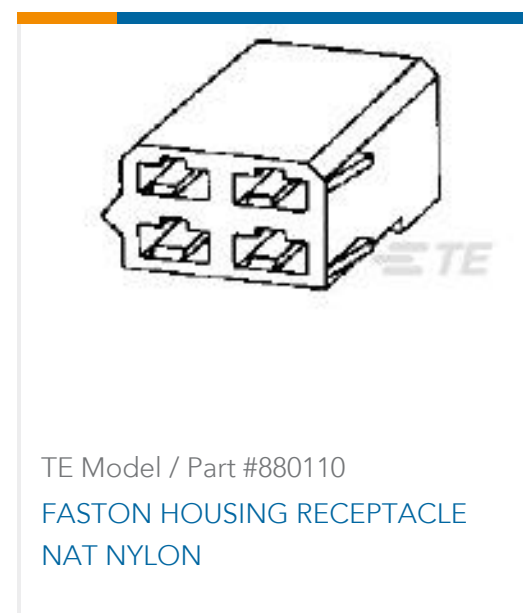
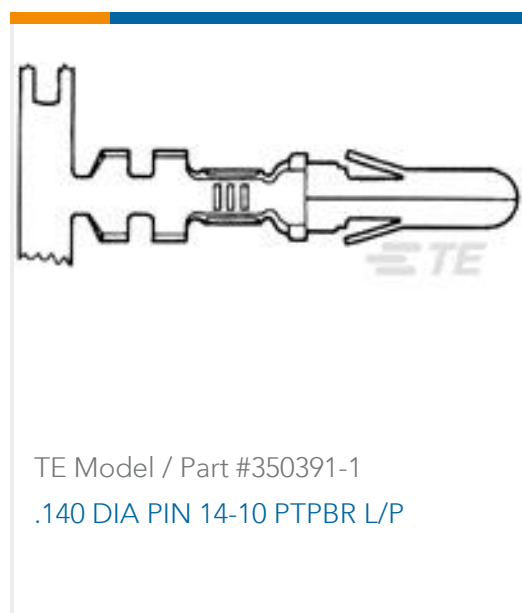
Product Compliance Disclaimer

This information is provided based on reasonable inquiry of our suppliers and represents our current actual knowledge based on the information they provided. This information is subject to change. The part numbers that TE has identified as EU RoHS compliant have a maximum concentration of 0.1% by weight in homogenous materials for lead, hexavalent chromium, mercury, PBB, PBDE, DBP, BBP, DEHP, DIBP, and 0.01% for cadmium, or qualify for an exemption to these limits as defined in the Annexes of Directive 2011/65/EU (RoHS2). Finished electrical and electronic equipment products will be CE marked as required by Directive 2011/65/EU. Components may not be CE marked. Additionally, the part numbers that TE has identified as EU ELV compliant have a maximum concentration of 0.1% by weight in homogenous materials for lead, hexavalent chromium, and mercury, and 0.01% for cadmium, or qualify for an exemption to these limits as defined in the Annexes of Directive 2000/53/EC (ELV). Regarding the REACH Regulation, the information TE provides on SVHC in articles for this part number is based on the latest European Chemicals Agency (ECHA) 'Guidance on requirements for substances in articles' posted at this URL: <https://echa.europa.eu/guidance-documents/guidance-on-reach>

Compatible Parts



Customers Also Bought



Documents

Product Drawings

[COMP TERM, CU 1/0 L BARREL](#)

English

Datasheets & Catalog Pages

[COPPER-COMPRESSION-TERMINALS-CONNECTORS-FITTINGS](#)

English

Instruction Sheets

[Instruction Sheet \(U.S.\)](#)



English

[Instruction Sheet \(U.S.\)](#)

English

[Agency Approvals](#)

[Agency Approval Document](#)

English