

5-435640-3 ✓ ACTIVE

[Alcoswitch](#) | [Alcoswitch DIP](#)

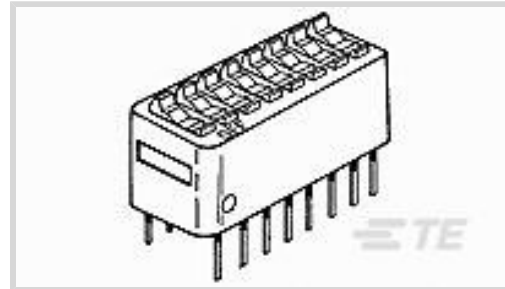
TE Internal #: 5-435640-3

Alcoswitch DIP, DIP & SIP Switches, Switch, Gold, Blue Housing Color, Polyester GF, Sealed, 8 Switch, Operating Temperature Range -55 – 105 °C, DIP

[View on TE.com >](#)



Relays, Contactors & Switches > Switches > DIP & SIP Switches



Product Type: **Switch**

Contact Mating Area Plating Material: **Gold**

Housing Color: **Blue**

Housing Material: **Polyester GF**

Auto-Insertable: **No**

## Features

### Product Type Features

Product Type	Switch
Sealed	Yes
Switch Type	DIP
Actuator Style	Rocker (Top Actuated)

### Configuration Features

Number of Positions	8
Number of Switches	8
Configuration (Pole-Throw)	Single Pole - Single Throw

### Electrical Characteristics

Voltage Rating	40 VDC
----------------	--------

### Body Features

Seal Type	Standard
-----------	----------

### Contact Features

Solder Tail Contact Plating	Gold over Nickel
	30 µin
Contact Mating Area Plating Material	Gold
Auto-Insertable	No
Contact Current Rating	1 A



Contact Base Material	Copper Alloy
-----------------------	--------------

### Termination Features

Termination Post Length	3.56 mm[.14 in]
-------------------------	-----------------

### Mechanical Attachment

Mounting Angle	Vertical
----------------	----------

Mounting Type	Through Hole
---------------	--------------

### Housing Features

Housing Color	Blue
---------------	------

Housing Material	Polyester GF
------------------	--------------

Centerline	2.54 mm[.1 in]
------------	----------------

### Dimensions

Height	8.64 mm[.34 in]
--------	-----------------

Length	22.35 mm[.88 in]
--------	------------------

### Usage Conditions

Operating Temperature Range	-55 – 105 °C
-----------------------------	--------------

### Industry Standards

UL Flammability Rating	UL 94V-0
------------------------	----------

### Packaging Features

Packaging Quantity	14
--------------------	----

### Other

Comment	All switches are bottom sealed.
---------	---------------------------------

## Product Compliance

[For compliance documentation, visit the product page on TE.com>](#)

EU RoHS Directive 2011/65/EU	Not Compliant
------------------------------	---------------

EU ELV Directive 2000/53/EC	Not Yet Reviewed
-----------------------------	------------------

China RoHS 2 Directive MIIT Order No 32, 2016	Restricted Materials Above Threshold
---	--------------------------------------

EU REACH Regulation (EC) No. 1907/2006	Current ECHA Candidate List: JUN 2020 (209) Candidate List Declared Against: JAN 2020 (205) Pb (13% in Component Part)
--	--

#### Article Safe Usage Statements:

Do not eat, drink or smoke when using this product. Wash thoroughly after handling. Recycle if possible and dispose of the article by following all applicable governmental regulations relevant to your geographic location.

Halogen Content

Not Low Halogen - contains Br or Cl > 900 ppm.

Solder Process Capability

Wave solder capable to 265°C

Product Compliance Disclaimer

This information is provided based on reasonable inquiry of our suppliers and represents our current actual knowledge based on the information they provided. This information is subject to change. The part numbers that TE has identified as EU RoHS compliant have a maximum concentration of 0.1% by weight in homogenous materials for lead, hexavalent chromium, mercury, PBB, PBDE, DBP, BBP, DEHP, DIBP, and 0.01% for cadmium, or qualify for an exemption to these limits as defined in the Annexes of Directive 2011/65/EU (RoHS2). Finished electrical and electronic equipment products will be CE marked as required by Directive 2011/65/EU. Components may not be CE marked. Additionally, the part numbers that TE has identified as EU ELV compliant have a maximum concentration of 0.1% by weight in homogenous materials for lead, hexavalent chromium, and mercury, and 0.01% for cadmium, or qualify for an exemption to these limits as defined in the Annexes of Directive 2000/53/EC (ELV). Regarding the REACH Regulation, the information TE provides on SVHC in articles for this part number is based on the latest European Chemicals Agency (ECHA) 'Guidance on requirements for substances in articles' posted at this URL: <https://echa.europa.eu/guidance-documents/guidance-on-reach>

## Compatible Parts



TE Model / Part # 3-5435668-4  
DIP SW 4 POSN W/TAPE AU



TE Model / Part # 2-5435668-8  
DIP SW 8 POSN W/TAPE AU



TE Model / Part # 435668-7  
LO PROFILE DIP SW 8P AU



TE Model / Part # 2-5435668-5  
DIP SW 6 POSN W/TAPE AU

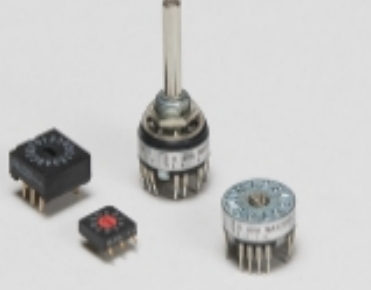


TE Model / Part # 2-435668-5  
DIP SW 6 POSN W/TAPE AU


## Also in the Series | Alcoswitch DIP



DIP & SIP Switches(256)



Rotary Switches(34)

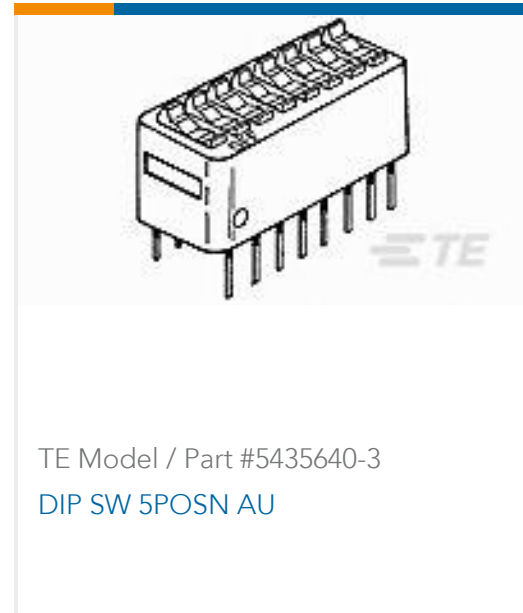


Switch Boots & Accessories(1)

## Customers Also Bought



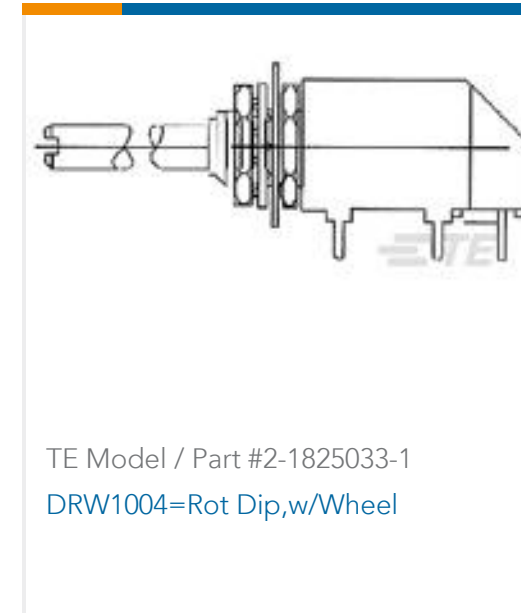
TE Model / Part #1-2176305-4  
RP 1E 0.1W 147R 0.1% 25PPM 5K RL



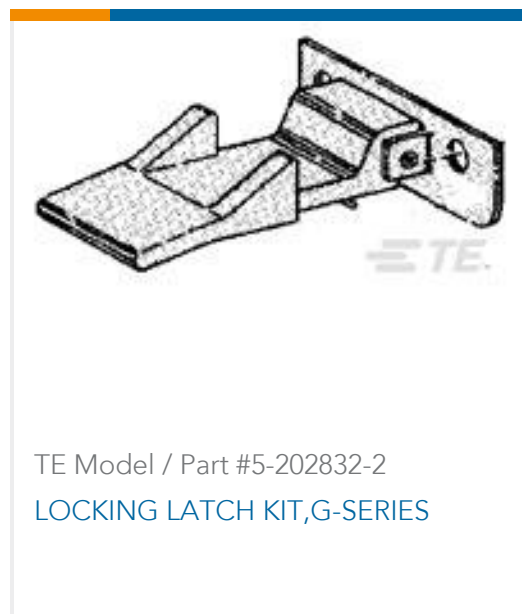
TE Model / Part #5435640-3  
DIP SW 5POSN AU



TE Model / Part #3-227000-4  
PLUG,COML TNC



TE Model / Part #2-1825033-1  
DRW1004=Rot Dip,w/Wheel



TE Model / Part #5-202832-2  
LOCKING LATCH KIT,G-SERIES



TE Model / Part #5767111-9  
MICT,PLG,076,ASY,.025 TAPE CAP



TE Model / Part #1-1393766-9  
R10-E1X4-24V=R10

## Documents

### Product Drawings

[DIP SW,8 POSN, SEALED,"ON/OFF"](#)

English

### CAD Files

Customer View Model

[ENG\\_CVM\\_5-435640-3\\_AM.3d\\_igs.zip](#)

English

Customer View Model

[ENG\\_CVM\\_5-435640-3\\_AM.3d\\_stp.zip](#)

English

Customer View Model

[ENG\\_CVM\\_5-435640-3\\_AM.2d\\_dxf.zip](#)

English

[3D PDF](#)

English

By downloading the CAD file I accept and agree to the [Terms and Conditions](#) of use.

### Product Specifications

[Application Specification](#)

English

### Product Environmental Compliance

[Product Compliance](#)

English

[Product Compliance](#)



English