



EMI Filters > Multi-Function Inlet Filters > CORCOM EF SERIES IEC FILTERED INLETS



Filter Type: **Power Line**

Mount Angle: **Right Angle**

Leakage Current (Max) (120VAC, 60Hz): **210 μ A**

Leakage Current (Max) (250VAC, 50Hz): **360 μ A**

Current Rating: **6 A**

[All CORCOM EF SERIES IEC FILTERED INLETS \(15\)](#)

Features

Product Type Features

Ground Choke Option	No
Ground Option	None
Filter Type	Power Line
Input Type	IEC
Output Type	Wire Lead
Filtered	Yes
Type of Connector	IEC 60320-1 C-14

Electrical Characteristics

Leakage Current (Max) (120VAC, 60Hz)	210 μ A
Leakage Current (Max) (250VAC, 50Hz)	360 μ A
Current Rating	6 A
Voltage (Max)	250 VAC

Mechanical Attachment

Mount Angle	Right Angle
Mount Style	Flanged

Usage Conditions

Operating Temperature Range	-10 – 40 °C
-----------------------------	-------------

Product Compliance

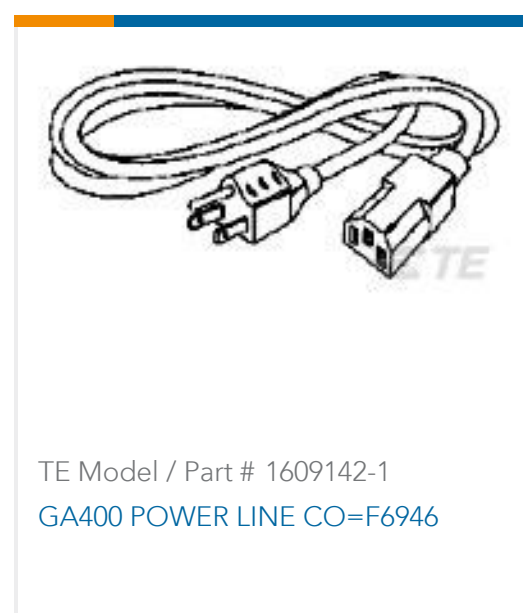
[For compliance documentation, visit the product page on TE.com>](#)

EU RoHS Directive 2011/65/EU	Compliant
EU ELV Directive 2000/53/EC	Compliant
China RoHS 2 Directive MIIT Order No 32, 2016	No Restricted Materials Above Threshold
EU REACH Regulation (EC) No. 1907/2006	Current ECHA Candidate List: JUN 2020 (209) Candidate List Declared Against: JAN 2020 (205) Does not contain REACH SVHC
Halogen Content	Not Low Halogen - contains Br or Cl > 900 ppm.
Solder Process Capability	Not applicable for solder process capability

Product Compliance Disclaimer

This information is provided based on reasonable inquiry of our suppliers and represents our current actual knowledge based on the information they provided. This information is subject to change. The part numbers that TE has identified as EU RoHS compliant have a maximum concentration of 0.1% by weight in homogenous materials for lead, hexavalent chromium, mercury, PBB, PBDE, DBP, BBP, DEHP, DIBP, and 0.01% for cadmium, or qualify for an exemption to these limits as defined in the Annexes of Directive 2011/65/EU (RoHS2). Finished electrical and electronic equipment products will be CE marked as required by Directive 2011/65/EU. Components may not be CE marked. Additionally, the part numbers that TE has identified as EU ELV compliant have a maximum concentration of 0.1% by weight in homogenous materials for lead, hexavalent chromium, and mercury, and 0.01% for cadmium, or qualify for an exemption to these limits as defined in the Annexes of Directive 2000/53/EC (ELV). Regarding the REACH Regulation, the information TE provides on SVHC in articles for this part number is based on the latest European Chemicals Agency (ECHA) 'Guidance on requirements for substances in articles' posted at this URL: <https://echa.europa.eu/guidance-documents/guidance-on-reach>

Compatible Parts

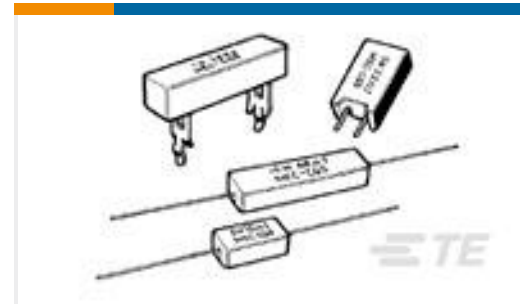
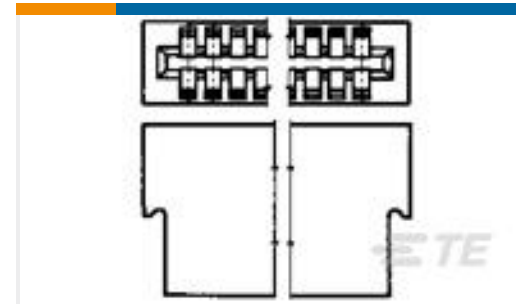
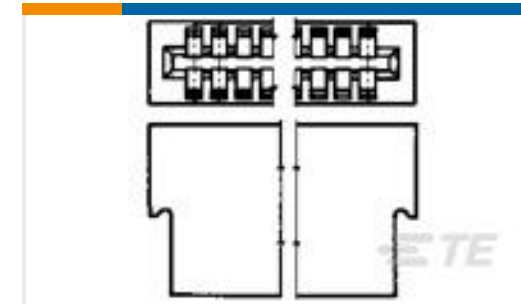
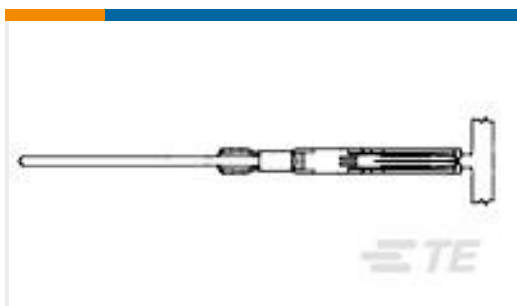
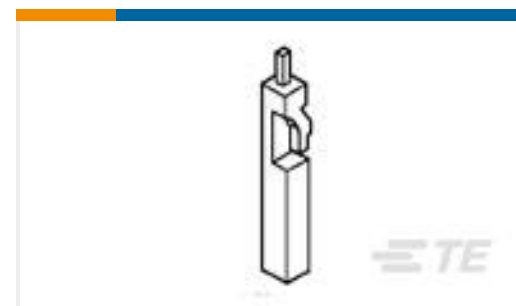
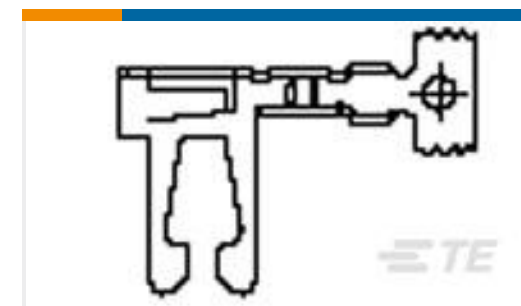


Also in the Series | [Corcom EF](#)



Multi-Function Inlet Filters(15)

Customers Also Bought

TE Model / Part #3-1393254-7
W91-X113-5=M6/M7/M9/W6/W7TE Model / Part #1879738-1
SQF7 1K0 5% 145C 3ATE Model / Part #1-583717-9
TW-LEAF CRP HSG 50 POS 100 C/LTE Model / Part #2-583717-7
TW LEAF CRP. HSG. 14 POS.TE Model / Part #583879-1
CONTACT CSTL 15AU 50SN/PBTE Model / Part #5223976-1
UNIV. POWER MODULE R/A HEADERTE Model / Part #531226-1
T/SPRING KEYING PLUGTE Model / Part #530002-5
DUO TYNE TERMINAL STRIPTE Model / Part #3-1437571-1
TPA11CGRA6=SWITCH P/B N/O BLUE

Documents

Product Drawings

[6EF8=F7377 S0](#)

English

CAD Files

Customer View Model

[ENG_CVM_1-6609014-2_C.3d_igs.zip](#)

English

Customer View Model



[ENG_CVM_1-6609014-2_C.3d_stp.zip](#)

English

Customer View Model

[ENG_CVM_1-6609014-2_C.2d_dxf.zip](#)

English

3D PDF

English

By downloading the CAD file I accept and agree to the [Terms and Conditions](#) of use.

Datasheets & Catalog Pages

[1654001_CORCOM_PRODUCT_GUIDE](#)

English

[1654001_CORCOM_PRODUCT_GUIDE_EF_SERIES](#)

English

Corcom Combined Selector Charts

English

Product Environmental Compliance

[TE Material Declaration](#)

English