

5-435640-1 ✓ ACTIVE

[Alcoswitch](#) | [Alcoswitch 7100](#)

TE Internal #: 5-435640-1

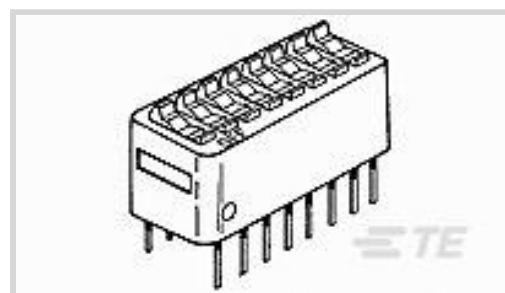
Alcoswitch 7100, DIP & SIP Switches, Switch, Gold, Blue Housing

Color, Polyester GF, 10 Switch, Operating Temperature Range -55 – 105 °C, DIP

[View on TE.com >](#)



Relays, Contactors & Switches > Switches > DIP & SIP Switches



Product Type: **Switch**

Contact Mating Area Plating Material: **Gold**

Housing Color: **Blue**

Housing Material: **Polyester GF**

Auto-Insertable: **No**

Features

Product Type Features

Product Type	Switch
Sealed	No
Switch Type	DIP
Actuator Style	Rocker (Top Actuated)

Configuration Features

Number of Positions	10
Number of Switches	10
Configuration (Pole-Throw)	Single Pole - Single Throw

Electrical Characteristics

Voltage Rating	40 VDC
----------------	--------

Contact Features

Solder Tail Contact Plating	Gold over Nickel
	30 µin
Contact Mating Area Plating Material	Gold
Auto-Insertable	No
Contact Current Rating	1 A
Contact Base Material	Copper Alloy

Termination Features



Termination Post Length	3.56 mm[.14 in]
-------------------------	-----------------

Mechanical Attachment

Mounting Angle	Vertical
Mounting Type	Through Hole

Housing Features

Housing Color	Blue
Housing Material	Polyester GF
Centerline	2.54 mm[.1 in]

Dimensions

Height	8.64 mm[.34 in]
Length	27.43 mm[1.08 in]

Usage Conditions

Operating Temperature Range	-55 – 105 °C
-----------------------------	--------------

Industry Standards

UL Flammability Rating	UL 94V-0
------------------------	----------

Packaging Features

Packaging Method	Tube
Packaging Quantity	11

Other

Comment	All switches are bottom sealed.
---------	---------------------------------

Product Compliance

[For compliance documentation, visit the product page on TE.com>](#)

EU RoHS Directive 2011/65/EU	Not Yet Reviewed
EU ELV Directive 2000/53/EC	Not Yet Reviewed
China RoHS 2 Directive MIIT Order No 32, 2016	Restricted Materials Above Threshold
EU REACH Regulation (EC) No. 1907/2006	Current ECHA Candidate List: JUN 2020 (209) Candidate List Declared Against: JUN 2016 (169) Does not contain REACH SVHC
Halogen Content	Not Yet Reviewed for halogen content
Solder Process Capability	Wave solder capable to 265°C

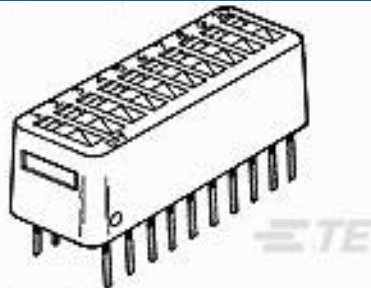
Product Compliance Disclaimer

This information is provided based on reasonable inquiry of our suppliers and represents our current actual knowledge based on the information they provided. This information is subject to change. The part numbers that TE has identified as EU RoHS compliant have a maximum concentration of 0.1% by weight in homogenous materials for lead, hexavalent chromium, mercury, PBB, PBDE, DBP, BBP, DEHP, DIBP, and 0.01% for cadmium, or qualify for an exemption to these limits as defined in the Annexes of Directive 2011/65/EU (RoHS2). Finished electrical and electronic equipment products will be CE marked as required by Directive 2011/65/EU. Components may not be CE marked. Additionally, the part numbers that TE has identified as EU ELV compliant have a maximum concentration of 0.1% by weight in homogenous materials for lead, hexavalent chromium, and mercury, and 0.01% for cadmium, or qualify for an exemption to these limits as defined in the Annexes of Directive 2000/53/EC (ELV). Regarding the REACH Regulations, TE's information on SVHC in articles for this part number is still based on the European Chemical Agency (ECHA) 'Guidance on requirements for substances in articles' (Version: 2, April 2011), applying the 0.1% weight on weight concentration threshold at the finished product level. TE is aware of the European Court of Justice ruling of September 10th, 2015 also known as O5A (Once An Article Always An Article) stating that, in case of 'complex object', the threshold for a SVHC must be applied to both the product as a whole and simultaneously to each of the articles forming part of its composition. TE has evaluated this ruling based on the new ECHA "Guidance on requirements for substances in articles" (June 2017, version 4.0) and will be updating its statements accordingly.

Compatible Parts



TE Model / Part # 3-5435668-4
DIP SW 4 POSN W/TAPE AU



TE Model / Part # 2-5435668-8
DIP SW 8 POSN W/TAPE AU



TE Model / Part # 435668-7
LO PROFILE DIP SW 8P AU



TE Model / Part # 2-5435668-5
DIP SW 6 POSN W/TAPE AU



TE Model / Part # 2-435668-5
DIP SW 6 POSN W/TAPE AU

Also in the Series | Alcoswitch 7100

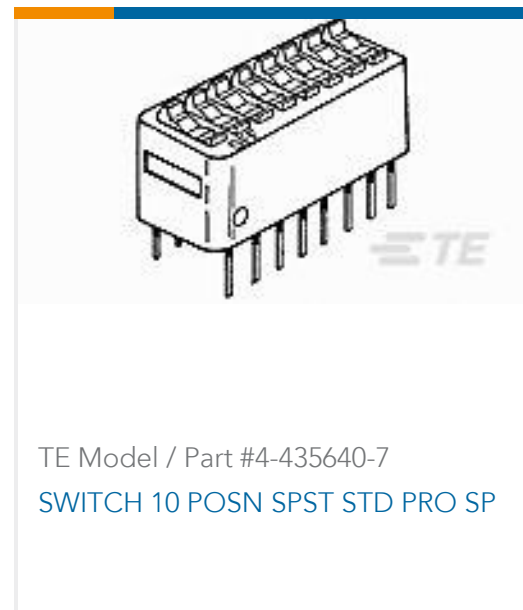


DIP & SIP Switches(35)

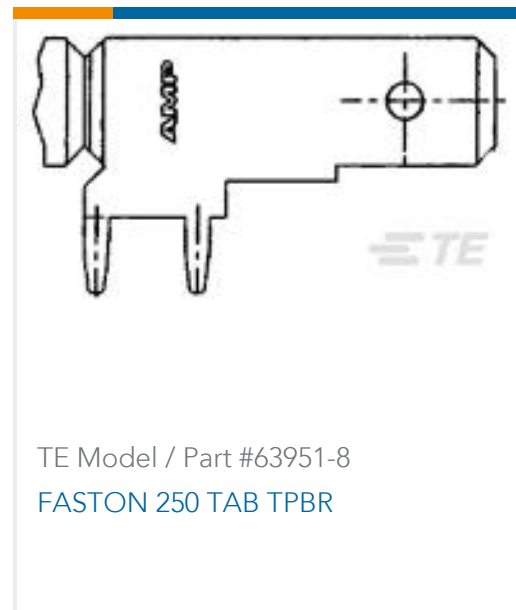
Customers Also Bought



TE Model / Part #282832-7
TERMI-BLOK PIN HEAD 180 7P. 5



TE Model / Part #4-435640-7
SWITCH 10 POSN SPST STD PRO SP



TE Model / Part #63951-8
FASTON 250 TAB TPBR



TE Model / Part #1-103323-0
10 MODII HDR SRRA B/A .100CL



TE Model / Part #3-644631-3
03P MTA156 HDR ASSY STR LF



TE Model / Part #4-640599-3
13P MTA156 CONN ASSY 18AWG
ORA



TE Model / Part #4-640604-0
10P MTA156 CONN ASSY 18AWG LF

Documents

Product Drawings

DIP SW 10P SPST SPLC MARKING

English

CAD Files

Customer View Model

[ENG_CVM_5-435640-1_AM.3d_igs.zip](#)

English

Customer View Model

[ENG_CVM_5-435640-1_AM.3d_stp.zip](#)

English

Customer View Model

[ENG_CVM_5-435640-1_AM.2d_dxf.zip](#)

English

3D PDF

English

By downloading the CAD file I accept and agree to the [Terms and Conditions](#) of use.

Product Specifications

Application Specification

English