

322307 ✓ ACTIVE

PLASTI-GRIP | PLASTI-GRIP

TE Internal #: 322307

PLASTI-GRIP, Rings & Spades, Flag Tongue, 20 – 16AWG Wire Size,

.5 – 1.4mm² Wire Size, 810 – 3260CMA Wire Size, #14, Stud

Diameter 6.14 mm [.242 in]

[View on TE.com >](#)



Terminals & Splices > Rings & Spades



Terminal & Splice Type: **Flag Tongue**

Wire Size: **810 – 3260 CMA**

Stud Size: **#14**

Features

Product Type Features

Shape Description	RING-058
Stud Size	#14
Barrel Type	Closed Barrel
Sealable	No
Insulated	Yes
Wire/Cable Type	Regular Wire
Support Style	Insulation Support

Configuration Features

Number of Holes	1
Terminal Angle	Straight

Electrical Characteristics

Voltage (Max)	600 V
---------------	-------

Body Features

Weight per Piece	1.725 g
Plating Material	Copper, Tin

Contact Features

Terminal & Splice Type	Flag Tongue
Terminal Orientation	Offset

Mechanical Attachment



Wire Insulation Support	With
-------------------------	------

Dimensions

Wire Size	810 – 3260 CMA
Stud Diameter	6.14 mm[.242 in]
Tongue Thickness	.79 mm[.031 in]
Overall Length	17.65 mm[.695 in]
Wire Insulation Diameter (Max)	4.318 mm[.17 in]
Wire Insulation Diameter	2.921 – 4.318 mm[.115 – .17 in]

Usage Conditions

Operating Temperature Range	105 °C[221 °F]
-----------------------------	----------------

Operation/Application

Heavy Duty	Yes
------------	-----

Industry Standards

Government Qualified	No
----------------------	----

Packaging Features

Packaging Quantity	1000
Packaging Method	Box

Other

Comment	Heavy Duty for extra mechanical strength
---------	--

Product Compliance

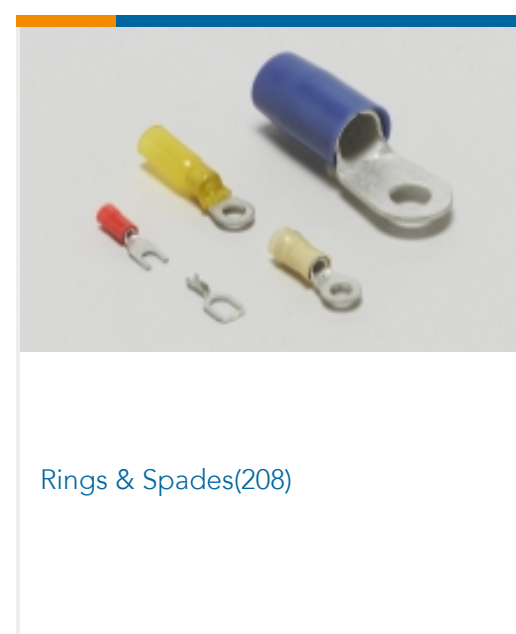
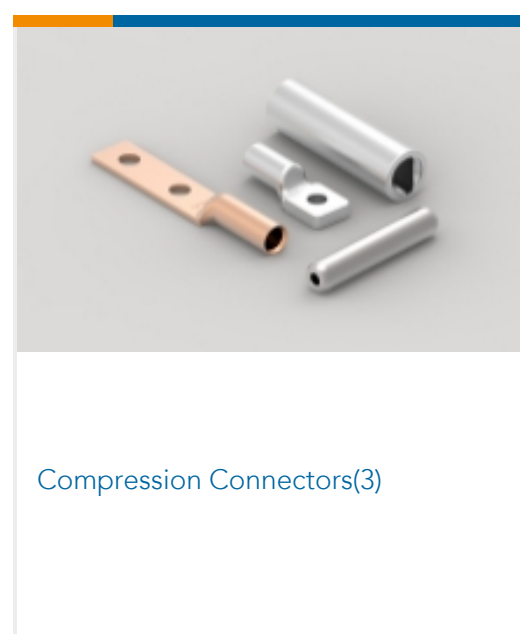
[For compliance documentation, visit the product page on TE.com>](#)

EU RoHS Directive 2011/65/EU	Compliant
EU ELV Directive 2000/53/EC	Compliant
China RoHS 2 Directive MIIT Order No 32, 2016	No Restricted Materials Above Threshold
EU REACH Regulation (EC) No. 1907/2006	Current ECHA Candidate List: JUN 2020 (209) Candidate List Declared Against: JAN 2018 (181) Does not contain REACH SVHC
Halogen Content	Not Low Halogen - contains Br or Cl > 900 ppm.
Solder Process Capability	Not applicable for solder process capability

Product Compliance Disclaimer

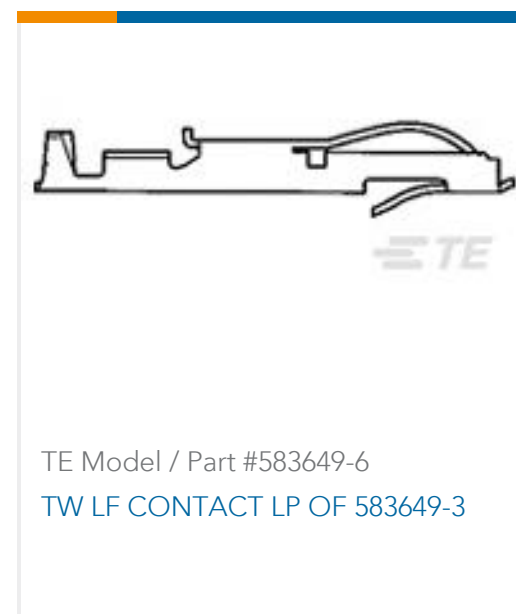
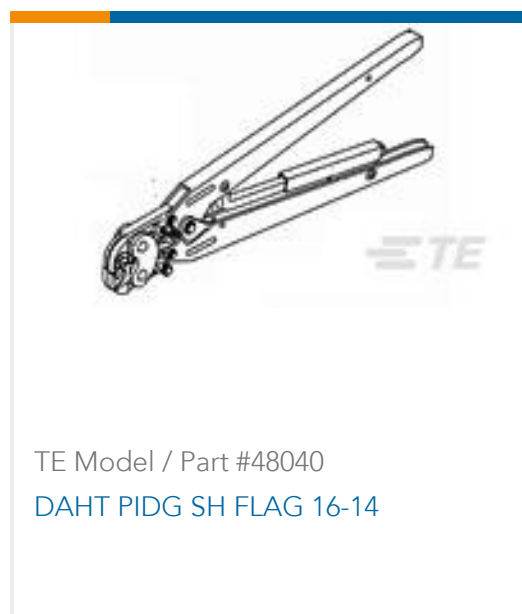
This information is provided based on reasonable inquiry of our suppliers and represents our current actual knowledge based on the information they provided. This information is subject to change. The part numbers that TE has identified as EU RoHS compliant have a maximum concentration of 0.1% by weight in homogenous materials for lead, hexavalent chromium, mercury, PBB, PBDE, DBP, BBP, DEHP, DIBP, and 0.01% for cadmium, or qualify for an exemption to these limits as defined in the Annexes of Directive 2011/65/EU (RoHS2). Finished electrical and electronic equipment products will be CE marked as required by Directive 2011/65/EU. Components may not be CE marked. Additionally, the part numbers that TE has identified as EU ELV compliant have a maximum concentration of 0.1% by weight in homogenous materials for lead, hexavalent chromium, and mercury, and 0.01% for cadmium, or qualify for an exemption to these limits as defined in the Annexes of Directive 2000/53/EC (ELV). Regarding the REACH Regulation, the information TE provides on SVHC in articles for this part number is based on the latest European Chemicals Agency (ECHA) 'Guidance on requirements for substances in articles' posted at this URL: <https://echa.europa.eu/guidance-documents/guidance-on-reach>

Compatible Parts

Also in the Series | **PLASTI-GRIP**

Customers Also Bought





Documents

Product Drawings

[PI FLAG R 20-16 HD , 14](#)

English

CAD Files

[3D PDF](#)

3D

Customer View Model

[ENG_CVM_CVM_322307_L.2d_dxf.zip](#)

English

Customer View Model

[ENG_CVM_CVM_322307_L.3d_igs.zip](#)

English

Customer View Model

[ENG_CVM_CVM_322307_L.3d_stp.zip](#)

English

By downloading the CAD file I accept and agree to the [Terms and Conditions](#) of use.

Product Specifications

[Application Specification](#)

English

Agency Approvals

[UL Report](#)

English