

5-5435640-4 ACTIVE



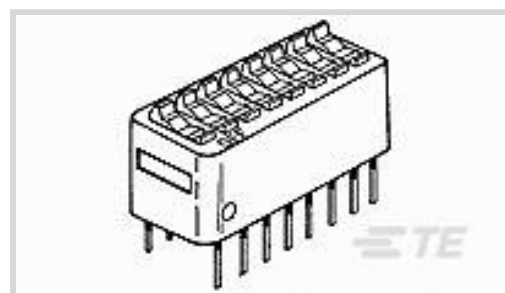
[Alcoswitch](#) | [Alcoswitch DIP](#), [Alcoswitch DIP 7000 & 7100](#)

TE Internal #: 5-5435640-4

Alcoswitch DIP, DIP & SIP Switches, Switch, Gold, Blue Housing Color, Polyester GF, Sealed, 4 Switch, Operating Temperature Range -30 – 85 °C, DIP

[View on TE.com >](#)

Relays, Contactors & Switches > Switches > DIP & SIP Switches



Product Type: **Switch**

Contact Mating Area Plating Material: **Gold**

Housing Color: **Blue**

Housing Material: **Polyester GF**

Auto-Insertable: **No**

Features

Product Type Features

Product Type	Switch
Sealed	Yes
Switch Type	DIP
Actuator Style	Rocker (Top Actuated)

Configuration Features

Number of Positions	4
Number of Switches	4
Configuration (Pole-Throw)	Single Pole - Single Throw

Electrical Characteristics

Voltage Rating	40 VDC
----------------	--------

Body Features

Seal Type	Standard
-----------	----------

Contact Features

Solder Tail Contact Plating	Tin
	30 µin
Contact Mating Area Plating Material	Gold
Auto-Insertable	No
Contact Current Rating	1 A



Contact Base Material	Copper Alloy
-----------------------	--------------

Termination Features

Termination Post Length	3.56 mm[.14 in]
-------------------------	-----------------

Mechanical Attachment

Mounting Angle	Vertical
----------------	----------

Mounting Type	Through Hole
---------------	--------------

Housing Features

Housing Color	Blue
---------------	------

Housing Material	Polyester GF
------------------	--------------

Centerline	2.54 mm[.1 in]
------------	----------------

Dimensions

Height	8.636 mm[.34 in]
--------	------------------

Length	12.19 mm[.48 in]
--------	------------------

Usage Conditions

Operating Temperature Range	-30 – 85 °C
-----------------------------	-------------

Industry Standards

UL Flammability Rating	UL 94V-0
------------------------	----------

Packaging Features

Packaging Method	Tube
------------------	------

Packaging Quantity	21
--------------------	----

Other

Comment	All switches are bottom sealed.
---------	---------------------------------

Product Compliance

[For compliance documentation, visit the product page on TE.com>](#)

EU RoHS Directive 2011/65/EU	Compliant
------------------------------	-----------

EU ELV Directive 2000/53/EC	Compliant
-----------------------------	-----------

China RoHS 2 Directive MIIT Order No 32, 2016	No Restricted Materials Above Threshold
---	---

EU REACH Regulation (EC) No. 1907/2006	Current ECHA Candidate List: JUN 2020 (209) Candidate List Declared Against: JAN 2020 (205) Does not contain REACH SVHC
--	---

Halogen Content	Not Low Halogen - contains Br or Cl > 900 ppm.
-----------------	--

Solder Process Capability	Wave solder capable to 265°C
---------------------------	------------------------------

Product Compliance Disclaimer

This information is provided based on reasonable inquiry of our suppliers and represents our current actual knowledge based on the information they provided. This information is subject to change. The part numbers that TE has identified as EU RoHS compliant have a maximum concentration of 0.1% by weight in homogenous materials for lead, hexavalent chromium, mercury, PBB, PBDE, DBP, BBP, DEHP, DIBP, and 0.01% for cadmium, or qualify for an exemption to these limits as defined in the Annexes of Directive 2011/65/EU (RoHS2). Finished electrical and electronic equipment products will be CE marked as required by Directive 2011/65/EU. Components may not be CE marked. Additionally, the part numbers that TE has identified as EU ELV compliant have a maximum concentration of 0.1% by weight in homogenous materials for lead, hexavalent chromium, and mercury, and 0.01% for cadmium, or qualify for an exemption to these limits as defined in the Annexes of Directive 2000/53/EC (ELV). Regarding the REACH Regulation, the information TE provides on SVHC in articles for this part number is based on the latest European Chemicals Agency (ECHA) 'Guidance on requirements for substances in articles' posted at this URL: <https://echa.europa.eu/guidance-documents/guidance-on-reach>

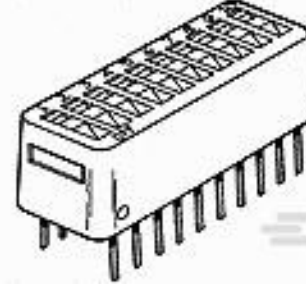
Compatible Parts



TE Model / Part # 3-5435668-4
DIP SW 4 POSN W/TAPE AU



TE Model / Part # 2-5435668-8
DIP SW 8 POSN W/TAPE AU



TE Model / Part # 435668-7
LO PROFILE DIP SW 8P AU



TE Model / Part # 2-5435668-5
DIP SW 6 POSN W/TAPE AU




TE Model / Part # 2-435668-5
DIP SW 6 POSN W/TAPE AU


Also in the Series | Alcoswitch DIP



DIP & SIP Switches(256)

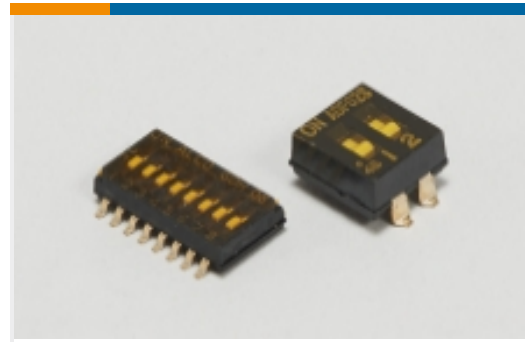


Rotary Switches(34)



Switch Boots & Accessories(1)

Also in the Series | Alcoswitch DIP 7000 & 7100



DIP & SIP Switches(56)



Switch Boots & Accessories(1)

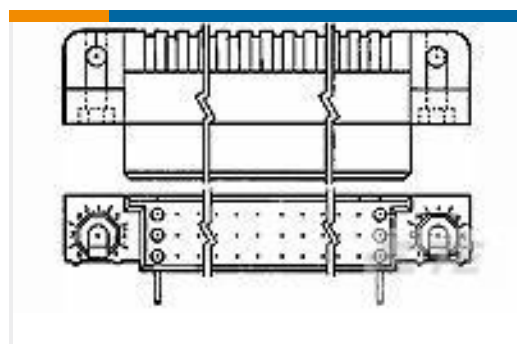
Customers Also Bought



TE Model / Part #2-2176050-5
RLP73K 1E R51 5% 5K RL



TE Model / Part #3-2176347-7
CRGCQ 2010 10K 1%



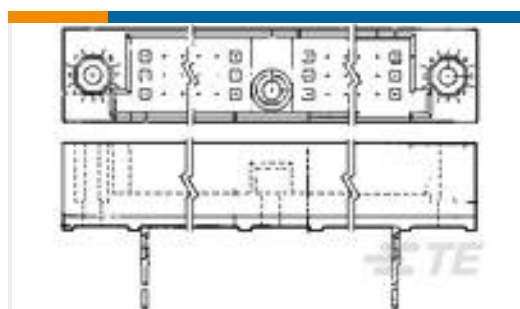
TE Model / Part #5533268-3
ASSY,RECPT,R.ANGLE,HDI,LEAD-FR



TE Model / Part #3-5332070-5
SOCKET,MIN-SPR W/KO SN-AU S-4



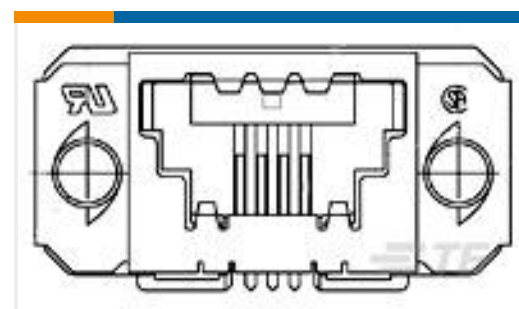
TE Model / Part #5120678-1
Z-PACK HS3 6R HDR ASSY 30P LH



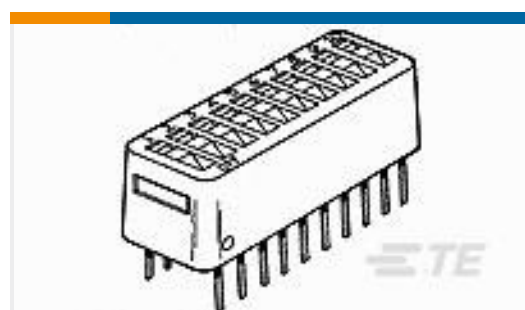
TE Model / Part #533294-1
HDI PIN ASSY 3 ROW 240 POS



TE Model / Part #104656-8
80 50/50 HDR DRST SFMNT .320



TE Model / Part #4-1761207-1
4 SDL TE RCPT ASSY



TE Model / Part #4-435626-2
DIP SW 8 POSN W/TAPE AU

Documents

Product Drawings

DIP SW,4 POS,SEALED,SPLC MRKD

English

CAD Files

3D PDF

English



Customer View Model

[ENG_CVM_5-5435640-4_A1.3d_igs.zip](#)

English

Customer View Model

[ENG_CVM_5-5435640-4_A1.3d_stp.zip](#)

English

Customer View Model

[ENG_CVM_5-5435640-4_A1.2d_dxf.zip](#)

English

By downloading the CAD file I accept and agree to the [Terms and Conditions](#) of use.

Product Specifications

[Application Specification](#)

English

Instruction Sheets

[Instruction Sheet \(U.S.\)](#)

English