

1571600-1 ✓ ACTIVE

[Alcoswitch](#) | [Alcoswitch AM](#)

TE Internal #: 1571600-1

Alcoswitch AM, Slide Switches, Double Pole - Five Throw Configuration (Pole-Throw), Vertical, Copper Alloy, Single Actuator, 5 Position

[View on TE.com >](#)



Relays, Contactors & Switches > Switches > Slide Switches



Configuration (Pole-Throw): **Double Pole - Five Throw**

Slide Switch Mounting Angle: **Vertical**

Contact Base Material: **Copper Alloy**

Number of Actuators: **Single**

Number of Slide Switch Positions: **5**

## Features

### Product Type Features

Threaded Case	Without
Grade	Economy
Switch Type	Slide
Product Type	Switch
Terminal Configuration	Standard
Actuator Style	Top

### Configuration Features

Configuration (Pole-Throw)	Double Pole - Five Throw
Number of Actuators	Single
Number of Slide Switch Positions	5

### Electrical Characteristics

Slide Switch Voltage Rating	50 VDC
-----------------------------	--------

### Body Features

Actuator Travel	4.01 mm[.158 in]
Actuator Material	POM
Actuator Color	Black

### Contact Features

Contact Base Material	Copper Alloy
-----------------------	--------------



Slide Switch Contact Current Rating	.5 A
-------------------------------------	------

Switch Contact Plating Material	Silver
---------------------------------	--------

### Termination Features

Termination Type	PC
------------------	----

### Mechanical Attachment

PCB Mount Retention	With
---------------------	------

PCB Mount Retention Type	Solder Tail
--------------------------	-------------

Slide Switch Mounting Angle	Vertical
-----------------------------	----------

Slide Switch Mounting Type	Through Hole
----------------------------	--------------

### Dimensions

PCB Tail Length	2.6 mm[.102 in]
-----------------	-----------------

Actuator Length	12 mm[.47244 in]
-----------------	------------------

Width	9.1 mm[.3583 in]
-------	------------------

Length	36.5 mm[1.437 in]
--------	-------------------

### Industry Standards

UL Flammability Rating	UL 94-HB
------------------------	----------

## Product Compliance

[For compliance documentation, visit the product page on TE.com>](#)

EU RoHS Directive 2011/65/EU	Compliant
------------------------------	-----------

EU ELV Directive 2000/53/EC	Compliant
-----------------------------	-----------

China RoHS 2 Directive MIIT Order No 32, 2016	No Restricted Materials Above Threshold
---	---

EU REACH Regulation (EC) No. 1907/2006	Current ECHA Candidate List: JUN 2020 (209) Candidate List Declared Against: JUN 2016 (169) Does not contain REACH SVHC
--	---

Halogen Content	Not Low Halogen - contains Br or Cl > 900 ppm.
-----------------	--

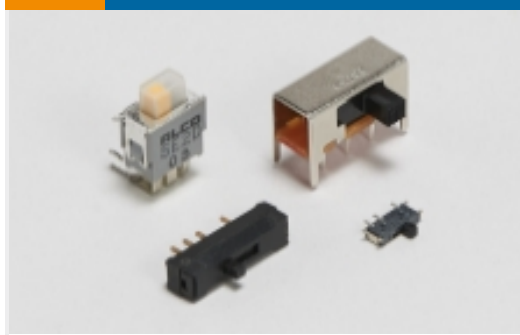
Solder Process Capability	Wave solder capable to 265°C
---------------------------	------------------------------

#### Product Compliance Disclaimer

This information is provided based on reasonable inquiry of our suppliers and represents our current actual knowledge based on the information they provided. This information is subject to change. The part numbers that TE has identified as EU RoHS compliant have a maximum concentration of 0.1% by weight in homogenous materials for lead, hexavalent chromium, mercury, PBB, PBDE, DBP, BBP, DEHP, DIBP, and 0.01% for cadmium, or qualify for an exemption to these limits as defined in the Annexes of Directive 2011/65/EU (RoHS2). Finished electrical and electronic equipment products

will be CE marked as required by Directive 2011/65/EU. Components may not be CE marked. Additionally, the part numbers that TE has identified as EU ELV compliant have a maximum concentration of 0.1% by weight in homogenous materials for lead, hexavalent chromium, and mercury, and 0.01% for cadmium, or qualify for an exemption to these limits as defined in the Annexes of Directive 2000/53/EC (ELV). Regarding the REACH Regulation, the information TE provides on SVHC in articles for this part number is based on the latest European Chemicals Agency (ECHA) 'Guidance on requirements for substances in articles' posted at this URL: <https://echa.europa.eu/guidance-documents/guidance-on-reach>

## Also in the Series | Alcoswitch AM



Slide Switches(1)



Toggle Switches(7)

## Customers Also Bought



TE Model / Part #5-2176307-0  
RP 1E 0.1W 40K2 0.1% 25PPM 5K RL



TE Model / Part #1-1879351-5  
RR01 5% 11K AMMO



TE Model / Part #2-2176311-4  
RP 1E 0.1W 2K0 0.1% 25PPM 1K RL



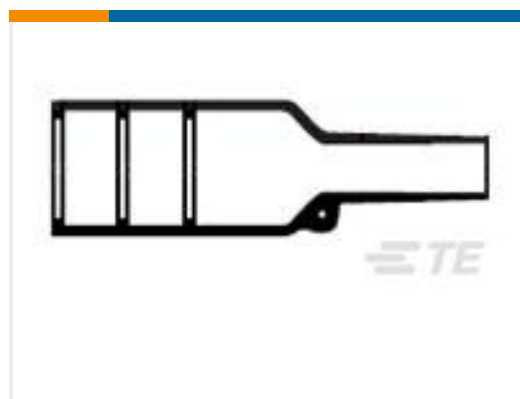
TE Model / Part #3-1618240-1  
K43C734=RELAY, VACUUM, SPDT



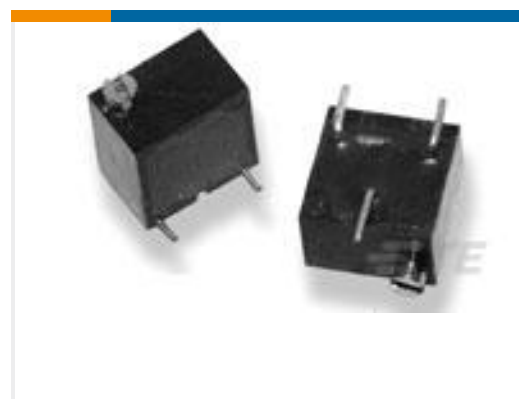
TE Model / Part #2204529-2  
ELCON MINI 3P RA HEADER,SOLDER, STANDARD



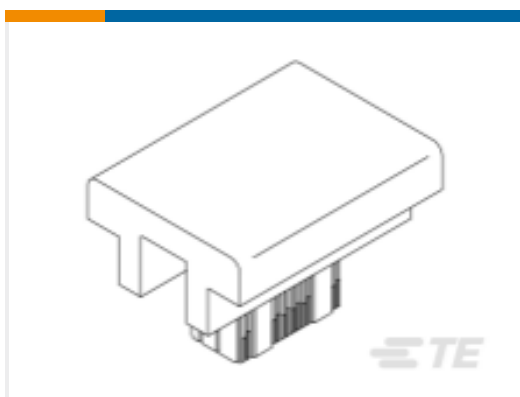
TE Model / Part #4-794682-6  
16P MICRO MNL ASSY,VRT,THRU,LF



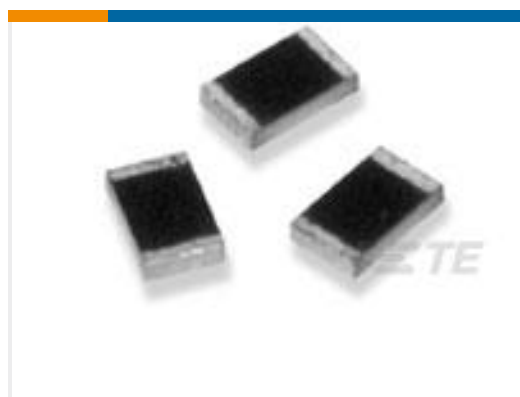
TE Model / Part #879277-000  
202K174-25-01/86-0



TE Model / Part #1623912-2  
3270W 100R



TE Model / Part #91348-2  
SEATING TL,HDR,2 PR, 20 COL



TE Model / Part #2-1879274-2  
RP 2A 1K37 0.1% 15PPM CUT LENGTH

## Documents



**Product Drawings**

[SLIDE SWITCH, DP5T 0.5 Amp](#)

English

---

**Datasheets & Catalog Pages**

[SWITCHES\\_CORE\\_PROGRAM\\_CATALOG](#)

English