



PLASTI-GRIP

TE Internal #: 2-34161-2

Rings & Spades, Ring Tongue, 16 – 14AWG Wire Size, 1.04 – 2.62 mm² Wire Size, 2050 – 5180CMA Wire Size, #10, Stud Diameter 5 mm [.197 in]

[View on TE.com >](#)

Terminals & Splices > Rings & Spades



Terminal & Splice Type: **Ring Tongue**

Wire Size: **2050 – 5180 CMA**

Stud Size: **#10**

Features

Product Type Features

Shape Description	RING-043
Stud Size	#10
Barrel Type	Closed Barrel
Sealable	No
Insulated	Yes
Wire/Cable Type	Regular Wire
Support Style	Insulation Support

Configuration Features

Number of Holes	1
Terminal Angle	Straight

Electrical Characteristics

Voltage (Max)	600 V
---------------	-------

Body Features

Inspection Slot	No
Weight per Piece	.851 g
Plating Material	Copper, Tin

Contact Features

Terminal & Splice Type	Ring Tongue
Terminal Orientation	Offset



Mechanical Attachment

Wire Insulation Support	With
-------------------------	------

Dimensions

Wire Size	2050 – 5180 CMA
Stud Diameter	5 mm [.197 in]
Tongue Thickness	.79 mm [.031 in]
Overall Length	23.37 mm [.92 in]
Wire Insulation Diameter (Max)	6.35 mm [.25 in]
Wire Insulation Diameter	3.81 – 6.35 mm [.15 – .25 in]

Usage Conditions

Operating Temperature Range	105 °C [221 °F]
-----------------------------	-----------------

Operation/Application

Heavy Duty	No
------------	----

Industry Standards

Government Qualified	No
----------------------	----

Packaging Features

Packaging Quantity	1000
Packaging Method	Loose Piece

Product Compliance

[For compliance documentation, visit the product page on TE.com>](#)

EU RoHS Directive 2011/65/EU	Compliant
EU ELV Directive 2000/53/EC	Compliant
China RoHS 2 Directive MIIT Order No 32, 2016	No Restricted Materials Above Threshold
EU REACH Regulation (EC) No. 1907/2006	Current ECHA Candidate List: JUN 2020 (209) Candidate List Declared Against: JUL 2019 (201) Does not contain REACH SVHC
Halogen Content	Not Low Halogen - contains Br or Cl > 900 ppm.
Solder Process Capability	Not applicable for solder process capability


Product Compliance Disclaimer

This information is provided based on reasonable inquiry of our suppliers and represents our current actual knowledge based on the information they provided. This information is subject to change. The part numbers that TE has identified as EU RoHS compliant have a maximum concentration of 0.1% by weight in homogenous materials for lead, hexavalent chromium, mercury, PBB, PBDE, DBP, BBP, DEHP, DIBP, and 0.01% for cadmium, or qualify for an exemption to these limits as defined in the Annexes of Directive 2011/65/EU (RoHS2). Finished electrical and electronic equipment products will be CE marked as required by Directive 2011/65/EU. Components may not be CE marked. Additionally, the part numbers that TE has identified as EU ELV compliant have a maximum concentration of 0.1% by weight in homogenous materials for lead, hexavalent chromium, and mercury, and 0.01% for cadmium, or qualify for an exemption to these limits as defined in the Annexes of Directive 2000/53/EC (ELV). Regarding the REACH Regulation, the information TE provides on SVHC in articles for this part number is based on the latest European Chemicals Agency (ECHA) 'Guidance on requirements for substances in articles' posted at this URL: <https://echa.europa.eu/guidance-documents/guidance-on-reach>

Compatible Parts




TE Model / Part # 59170
T-HD HT, SH PIDG 22-14



REPRESENTATION ONLY

TE Model / Part # 47387
DAHT PIDG 16-14 ASSY



TE Model / Part # 59250
T-HD HT, PIDG 22-14



TE Model / Part # 58423-1
DIE, RBY IS9252



TE Model / Part # 58433-3
PRO CR ASSY, RBY IS9252



TE Model / Part # 59824-1
TETRA-CRIMP HT ASSY



TE Model / Part # 539691-2
ERGO DIE R.B.Y

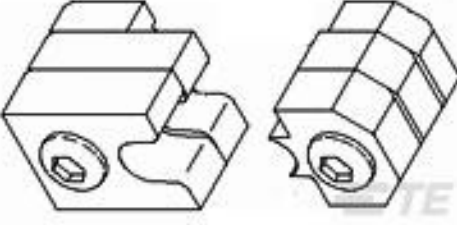


REPRESENTATION ONLY

TE Model / Part # 47387-7
16-14 PIDG D.A.H.T. ASSY .



TE Model / Part # 2063030-1
SDE DIESET, RBY, UL



TE Model / Part # 47807-1
DIE PIDG 69100 16-14



REPRESENTATION ONLY

TE Model / Part # 525691
16-14 PIDG D.A.H.T. ASSY.



TE Model / Part # 169404
CERTI-LOK DIE

Customers Also Bought



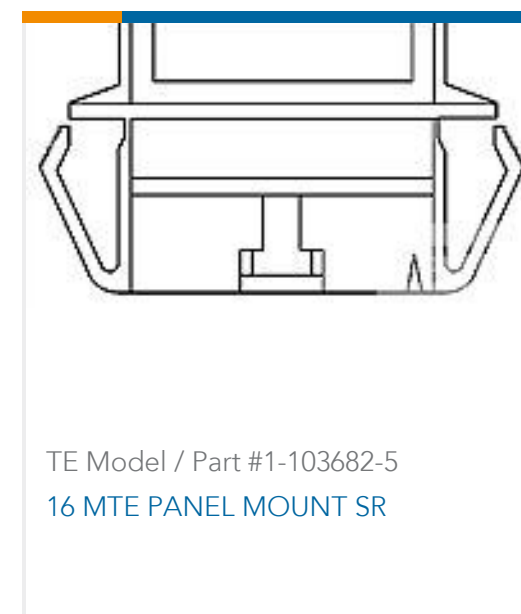
TE Model / Part #1-770996-3
13P SL 156 HSG W/TABS W/O LR



TE Model / Part #2-34161-3
TERMINAL,PG R 16-14 10



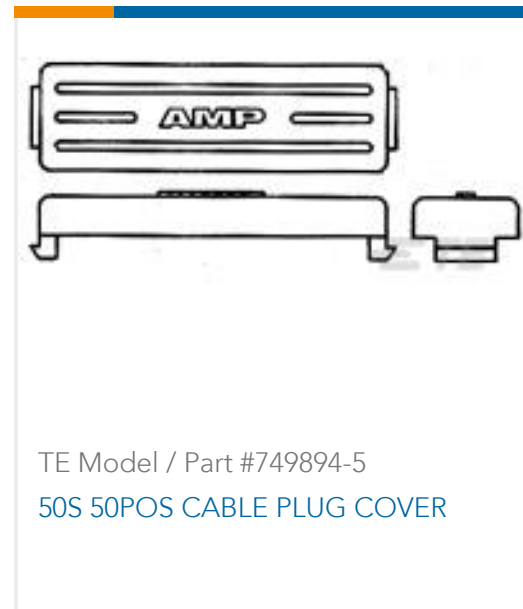
TE Model / Part #52956-2
TERMINAL,PG SPR SPD 16-14 8



TE Model / Part #1-103682-5
16 MTE PANEL MOUNT SR



TE Model / Part #2-322336-2
DIAMOND GRIP 16-14 HT R 6,TAPE



TE Model / Part #749894-5
50S 50POS CABLE PLUG COVER



TE Model / Part #9-328666-0
FERRULE, PLTD, LEAD FREE



TE Model / Part #950811-000
5414-00-130008



TE Model / Part #1-770996-5
15P SL 156 HSG W/TABS W/O LR

Documents

Product Drawings

[TERMINAL,PG R 16-14 10](#)

English

CAD Files

[3D PDF](#)

3D

Customer View Model

[ENG_CVM_CVM_2-34161-2_AC.2d_dxf.zip](#)

English

Customer View Model

[ENG_CVM_CVM_2-34161-2_AC.3d_igs.zip](#)

English

Customer View Model

[ENG_CVM_CVM_2-34161-2_AC.3d_stp.zip](#)

English

By downloading the CAD file I accept and agree to the [Terms and Conditions](#) of use.

Product Specifications



Application Specification

English

Instruction Sheets

Instruction Sheet (U.S.)

English

LARGE EXPANSION PRODUCTS (FOR WIRE INSTULATION WITH 1/16" AND 5/64" WA

English

Agency Approvals

UL Report

English