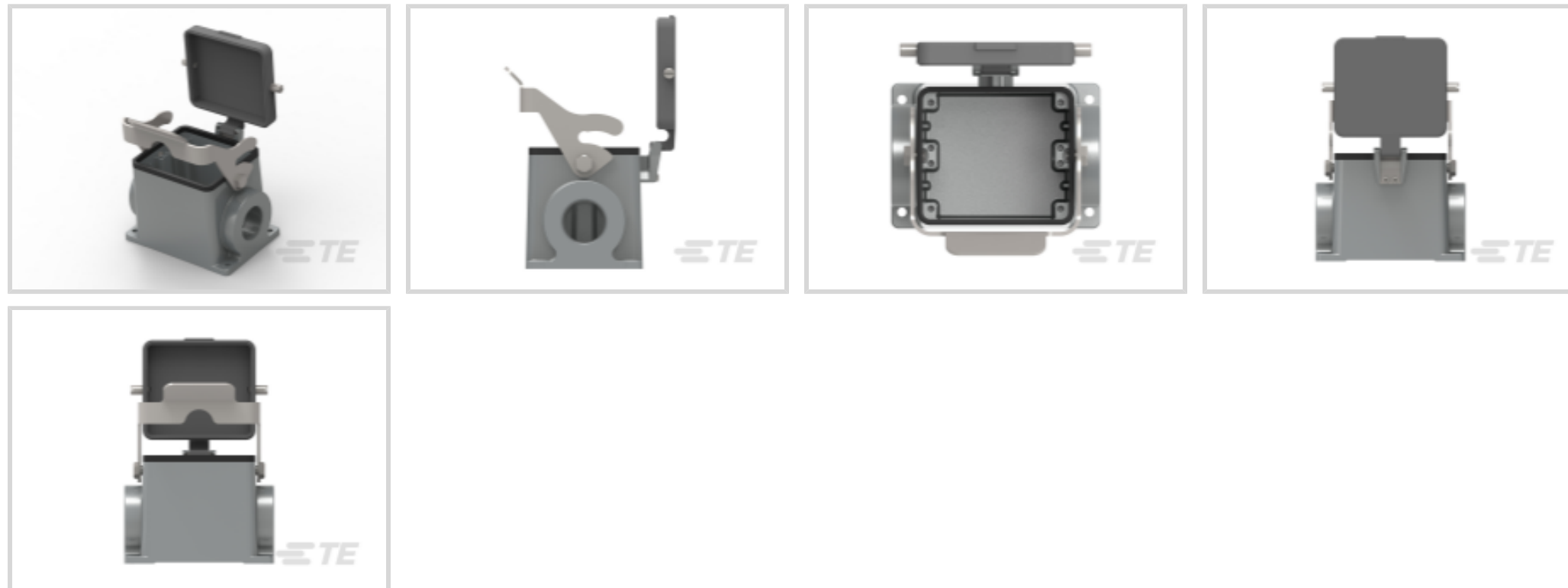




Connectors > Rectangular Connectors > Rectangular Connector Hoods & Bases



Hood & Base Connector Product Type: **Base Housing**

Cable Entry Location: **Side**

Hood & Base Locking Device Type: **Locking Clip**

Sealable: **Yes**

Circuit Application: **Power & Signal**

Features

Product Type Features

Product Size	10
Hood & Base Connector Product Type	Base Housing
Sealable	Yes

Body Features

Material	Die Cast Aluminum
Cable Entry Location	Side

Mechanical Attachment

Screw & Hole Thread Size	M32
Hood & Base Locking Device Type	Locking Clip

Usage Conditions

Corrosion Protected	Yes
---------------------	-----

Operation/Application

Circuit Application	Power & Signal
---------------------	----------------

Product Compliance

[For compliance documentation, visit the product page on TE.com>](#)

EU RoHS Directive 2011/65/EU	Compliant
EU ELV Directive 2000/53/EC	Compliant
China RoHS 2 Directive MIIT Order No 32, 2016	No Restricted Materials Above Threshold
EU REACH Regulation (EC) No. 1907/2006	Current ECHA Candidate List: JUN 2020 (209) Candidate List Declared Against: JAN 2020 (205) Does not contain REACH SVHC
Halogen Content	Not Yet Reviewed for halogen content
Solder Process Capability	Not reviewed for solder process capability

Product Compliance Disclaimer

This information is provided based on reasonable inquiry of our suppliers and represents our current actual knowledge based on the information they provided. This information is subject to change. The part numbers that TE has identified as EU RoHS compliant have a maximum concentration of 0.1% by weight in homogenous materials for lead, hexavalent chromium, mercury, PBB, PBDE, DBP, BBP, DEHP, DIBP, and 0.01% for cadmium, or qualify for an exemption to these limits as defined in the Annexes of Directive 2011/65/EU (RoHS2). Finished electrical and electronic equipment products will be CE marked as required by Directive 2011/65/EU. Components may not be CE marked. Additionally, the part numbers that TE has identified as EU ELV compliant have a maximum concentration of 0.1% by weight in homogenous materials for lead, hexavalent chromium, and mercury, and 0.01% for cadmium, or qualify for an exemption to these limits as defined in the Annexes of Directive 2000/53/EC (ELV). Regarding the REACH Regulation, the information TE provides on SVHC in articles for this part number is based on the latest European Chemicals Agency (ECHA) 'Guidance on requirements for substances in articles' posted at this URL: <https://echa.europa.eu/guidance-documents/guidance-on-reach>

Compatible Parts

 <p>TE Model / Part # T2040322201-000 HE-016-F 17-32</p>	 <p>TE Model / Part # T3609320102-000 DLX-32-M</p>	 <p>TE Model / Part # T1310320132-000 H32B-TS-RO-M32</p>
---	---	---

Also in the Series | [HDC IP65](#)



Rectangular Connector Hoods & Bases (1248)

Customers Also Bought



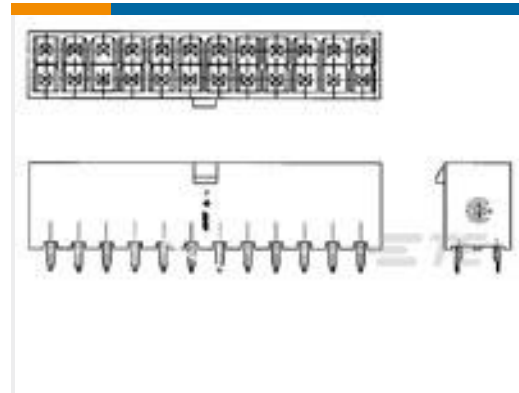
TE Model / Part #4-1618241-4
K81BB47=RELAY, VACUUM, SPST-NC



TE Model / Part #1-2271454-6
D3950 REC 6POS 1ROW X KEY MARKED



TE Model / Part #1-2271457-6
D3950 HDR 6POS 1ROW X KEY



TE Model / Part #2-1586038-2
22P VRT HDR VAL-U-LOK V0



TE Model / Part #5175474-5
CHAMP 050 B/B REC H W/LEG 40P



TE Model / Part #
CGE271N00000091000
940 RECEPTACLE ANGLED,
ROTATABLE, SP-READY



TE Model / Part #900413-2
PC I/O RETENTION LEG ASSY 40P



TE Model / Part #3-5175472-5
CHAMP 050 B/B PLUG H W/LEG 40P



TE Model / Part #1721870-5
OJE-SH-112LMHF,000



TE Model / Part #1473226-1
SOCKET WITH RING MINI U-M-N-L

Documents

Product Drawings

[H32B-SDR-LB-M32](#)

English

CAD Files

[3D PDF](#)

[3D](#)

[Customer View Model](#)

[ENG_CVM_CVM_T1620322132-000_A.2d_dxf.zip](#)



English

Customer View Model

[ENG_CVM_CVM_T1620322132-000_A.3d_igs.zip](#)

English

Customer View Model

[ENG_CVM_CVM_T1620322132-000_A.3d_stp.zip](#)

English

By downloading the CAD file I accept and agree to the [Terms and Conditions](#) of use.

Datasheets & Catalog Pages

HEAVY DUTY CONNECTORS

English

[HDC Connectors - July 2015 \(English\)](#)

English

[HDC Flyers July 2015 \(Chinese\)](#)

Product Specifications

Application Specification

English