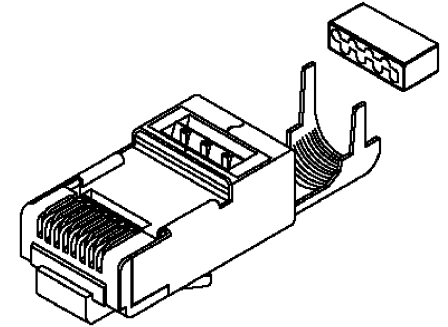
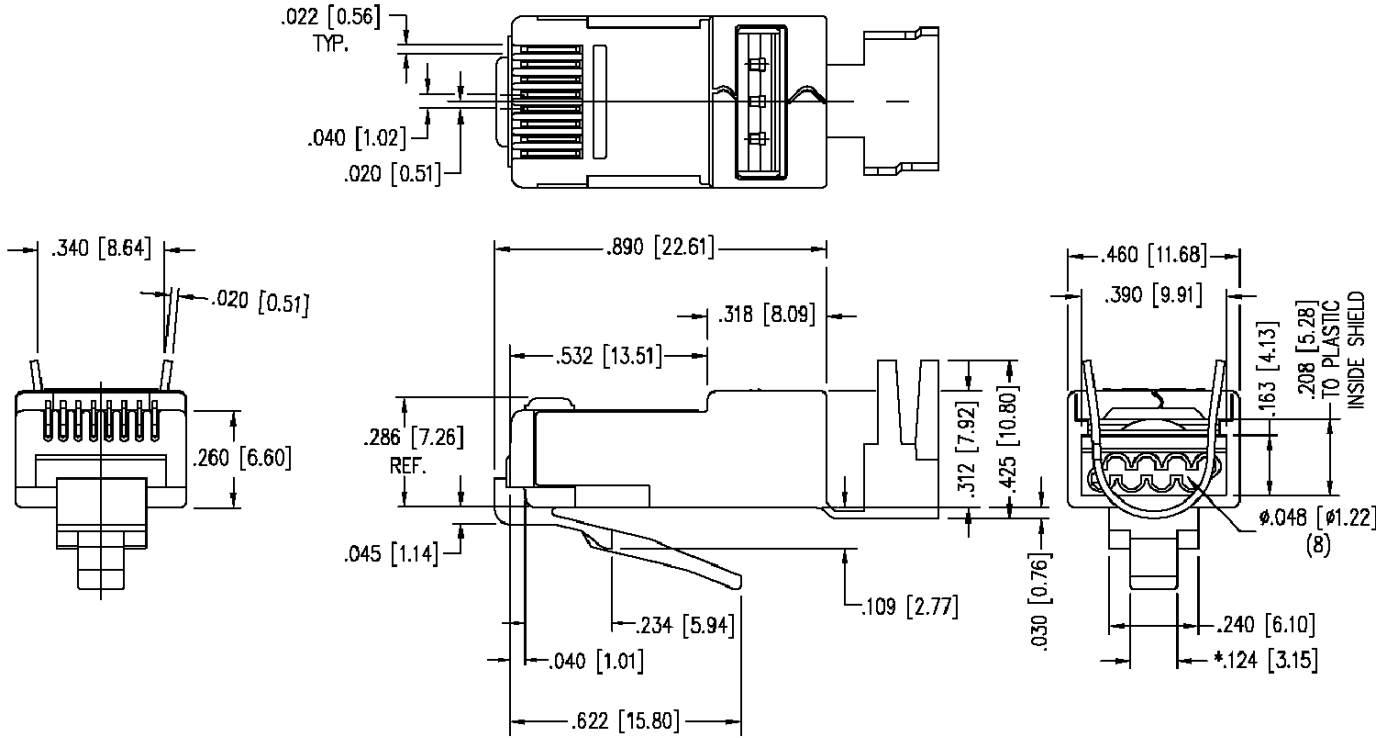


THE INFORMATION CONTAINED IN THIS DRAWING IS THE SOLE PROPERTY OF L-COM, INC. ANY REPRODUCTION IN PART OR WHOLE WITHOUT THE WRITTEN PERMISSION OF L-COM, INC. IS PROHIBITED.

**RoHS Compliant** ✓

REVISIONS			
REV	DESCRIPTION	DATE	APPROVED
A	INITIAL RELEASE	10/16/12	D.GRIFFIN



**PERFORMANCE:**

**SPECIFICATIONS :**

MEETS OR EXCEEDS CATEGORY 6 ANSI/EIA 568-C.2  
PERFORMANCE TUNED TO CABLES MEETING CATEGORY 6 SPECIFICATIONS.

**CONTACT MATERIAL:**

PHOSPHOR BRONZE - .012

**CONTACT PLATING:**

50 MICRO-INCH : OTHER PLATING OPTIONS AVAILABLE  
SELECTIVE 24 CARAT HARD GOLD PLATE IN CONTACT AREA  
OVER 100 MICRO-INCH MINIMUM NICKEL PLATE  
PER CURRENT SELECTIVE GOLD PLATING REQUIREMENTS.

**SHIELD MATERIAL:  
SHIELD PLATING:**

CDA-260 1/4 HARD BRASS .012 EXCEPT WHERE NOTED .020  
100% TIN 100-150 MICRO INCH TIN PLATED

**PLUG MATERIAL:**

POLYCARBONATE

**PLUG TOLERANCES  
AND DIMENSIONS:**

\* COMPLIES WITH ANSI/TIA-1096-A REQUIREMENTS

**FLAME AUTO EXTINGUISH**

94-V0 - File# E188111

**OPERATION TEMPERATURE:**

-40°C TO +85°C

**INSERTION/EXTRACTION LIFE:**

1000 CYCLES

**CONTACT RESISTANCE:**

10 MILLOHMS MAX.

**CURRENT/VOLTAGE:**

30 VAC/42 VDC AT 1.5 AMPS

"PATENTED"

- \* EIGHT CONDUCTOR MODULAR PLUG
- \* FOR HIGH SPEED APPLICATION
- \* FOR CONDUCTORS WITH AN O.D. RANGE OF .044 - .048
- \* USE FOR SOLID OR STRANDED CONDUCTORS
- \* PRODUCT REQUIRES A CONDUCTIVE LOAD BAR (PT. No. LB006)
- \* SHIELDED VERSION (SPECIAL HEIGHT) MODULAR PLUG
- \* FOR CABLE DIAMETERS UP TO .310
- \* COMPONENT SOLD IN PACKS OF 10.

UNLESS OTHERWISE SPECIFIED, DIMENSIONS ARE IN INCHES [mm] OVERALL CABLE LENGTH TOLERANCE: ≤12 [305] = +1 [25] / -0 >12 [305] ≤60 [1524] = +2 [51] / -0 >60 [1524] ≤120 [3048] = +4 [102] / -0 >120 [3048] ≤300 [7620] = +6 [152] / -0 >300 [7620] = +3% / -0%	APPROVALS	DATE		45 BEECHWOOD DRIVE NORTH ANDOVER, MA 01845		
	DRAWN BY D.FRISIELLO	10/16/12				
ALL OTHER DIMENSIONAL TOLERANCES: .X = ±.2 .XX = ±.02 .XXX = ±.005	CHECKED BY D.GUITADAURO	10/16/12	CATEGORY TELECOM/MODULAR			
	APPROVED BY D.GUITADAURO	10/16/12	PRODUCT DESCRIPTION RJ45P SHLD STRNRLF LBAR LODC			
PROJECTION 	CONFIGURATION DETAILS OF UNDIMENSIONED FEATURES MAY VARY	COLOR VARIATIONS MAY OCCUR	SIZE <b>A</b>	FSCM NO. <b>43321</b>	DWG. NO. TSP8048C5S-10PK	REV. <b>A</b>
SCALE: NONE			CAD FILE: TSP8048C5S-10PK.SLDDRW		SHEET 1 OF 1	