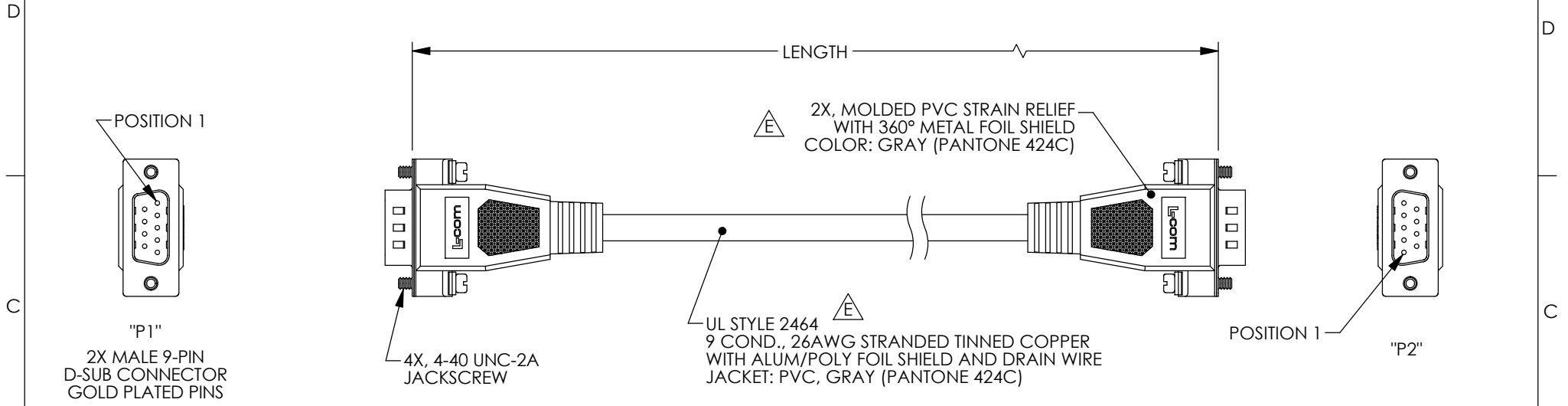


THE INFORMATION CONTAINED IN THIS DRAWING IS THE SOLE PROPERTY OF L-COM, INC. ANY REPRODUCTION IN PART OR WHOLE WITHOUT THE WRITTEN PERMISSION OF L-COM, INC. IS PROHIBITED.

REVISIONS			
REV	DESCRIPTION	DATE	APPROVED
E	ECN 6940: REVISED L-COM LOGO'S, ROHS, CHART, ADDED PANTONE 424C	7/2/13	D.FRISIELLO



POSITION 1
 "P1"
 2X MALE 9-PIN
 D-SUB CONNECTOR
 GOLD PLATED PINS

4X, 4-40 UNC-2A
 JACKSCREW

UL STYLE 2464
 9 COND., 26AWG STRANDED TINNED COPPER
 WITH ALUM/POLY FOIL SHIELD AND DRAIN WIRE
 JACKET: PVC, GRAY (PANTONE 424C)

POSITION 1
 "P2"

WIRING MAP		
"P1"	COLOR	"P2"
1	BLACK	1
2	GRAY	2
3	RED	3
4	GREEN	4
5	BROWN	5
6	BLUE	6
7	ORANGE	7
8	YELLOW	8
9	PURPLE	9
SHELL	DRAIN WIRE	SHELL

MODEL NUMBER	LENGTH	
	FEET	METERS
CSM9MM-1	1.0	.31
CSM9MM-2.5	2.5	.76
CSM9MM-5	5.0	1.52
CSM9MM-10	10.0	3.05
CSM9MM-25	25.0	7.62
CSM9MM-50	50.0	15.24

NOTES:

1. CABLE ASSEMBLY SHALL BE TESTED FOR CONTINUITY.
2. CABLE ASSEMBLY SHALL BE INDIVIDUALLY PACKAGED IN ACCORDANCE WITH L-COM SPECIFICATION PS-0031.

REGULATORY COMPLIANCE:
 ROHS, CE

UNLESS OTHERWISE SPECIFIED, DIMENSIONS ARE IN INCHES [mm] OVERALL CABLE LENGTH TOLERANCE: ≤ 12 [305] = +1 [25] / -0 >12 [305] ≤ 60 [1524] = +2 [51] / -0 >60 [1524] ≤ 120 [3048] = +4 [102] / -0 >120 [3048] ≤ 300 [7620] = +6 [152] / -0 >300 [7620] = +3% / -0% ALL OTHER DIMENSIONAL TOLERANCES: .X = ± .2 .XX = ± .02 .XXX = ± .005	APPROVALS DRAWN BY TJC CHECKED BY DFP APPROVED BY CM	DATE 4/26/01 4/26/01 4/26/01	45 BEECHWOOD DRIVE NORTH ANDOVER, MA 01845	
	CONFIGURATION DETAILS OF UNDIMENSIONED FEATURES MAY VARY			CATEGORY D-SUBMINIATURE
	PROJECTION 	COLOR VARIATIONS MAY OCCUR	SIZE A	PRODUCT DESCRIPTION DB9M/M MOLDED CABLE ASSY
	CSM-FS01	FSCM NO. 43321	DWG. NO. CSM9MM	SCALE: NONE CAD FILE: CSM9MM.SLDDRW SHEET 1 OF 1