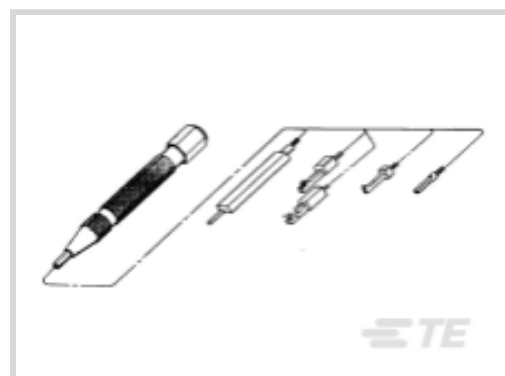




Application Tooling > Insertion & Extraction Tools



Insertion & Extraction Tool Type: **Contact Extraction**

Insertion & Extraction Tool Application: **Contact-to-Printed Circuit Board**

Features

Product Type Features

Insertion & Extraction Tool Type	Contact Extraction
Insertion & Extraction Tool Application	Contact-to-Printed Circuit Board

Product Compliance

[For compliance documentation, visit the product page on TE.com>](#)

EU RoHS Directive 2011/65/EU	Out of Scope
EU ELV Directive 2000/53/EC	Out of Scope
China RoHS 2 Directive MIIT Order No 32, 2016	Not reviewed for China RoHS compliance
EU REACH Regulation (EC) No. 1907/2006	Current ECHA Candidate List: JUN 2020 (209) Candidate List Declared Against: JUN 2016 (169) Does not contain REACH SVHC
Halogen Content	Not Yet Reviewed for halogen content
Solder Process Capability	Not applicable for solder process capability


Product Compliance Disclaimer

This information is provided based on reasonable inquiry of our suppliers and represents our current actual knowledge based on the information they provided. This information is subject to change. The part numbers that TE has identified as EU RoHS compliant have a maximum concentration of 0.1% by weight in homogenous materials for lead, hexavalent chromium, mercury, PBB, PBDE, DBP, BBP, DEHP, DIBP, and 0.01% for cadmium, or qualify for an exemption to these limits as defined in the Annexes of Directive 2011/65/EU (RoHS2). Finished electrical and electronic equipment products will be CE marked as required by Directive 2011/65/EU. Components may not be CE marked. Additionally, the part numbers that TE has identified as EU ELV compliant have a maximum concentration of 0.1% by weight in homogenous materials for lead, hexavalent chromium, and mercury, and 0.01% for cadmium, or qualify for an exemption to these limits as defined in the Annexes of Directive 2000/53/EC (ELV). Regarding the REACH Regulations, TE's information on SVHC in articles for this part number is still based on the European Chemical Agency (ECHA) 'Guidance on requirements for substances in articles' (Version: 2, April 2011), applying the 0.1% weight on weight concentration threshold at the finished



product level. TE is aware of the European Court of Justice ruling of September 10th, 2015 also known as O5A (Once An Article Always An Article) stating that, in case of 'complex object', the threshold for a SVHC must be applied to both the product as a whole and simultaneously to each of the articles forming part of its composition. TE has evaluated this ruling based on the new ECHA "Guidance on requirements for substances in articles" (June 2017, version 4.0) and will be updating its statements accordingly.

Compatible Parts

<p>TE Model / Part # 1-119272-5 CONTACT RECP ECON 2- PRENOTCHED</p>	<p>TE Model / Part # 1-119272-6 ECON.II PRE NOTCHED CONT.</p>	<p>TE Model / Part # 1-119272-9 CONTACT RECP ECON 2- PRENOTCHED</p>	<p>TE Model / Part # 118721-1 ECON II STAMPED CONTACT</p>
<p>TE Model / Part # 119272-1 ECON II STAMPED CONTACT</p>	<p>TE Model / Part # 119272-2 ECON II PLATED CONTACT</p>	<p>TE Model / Part # 119272-3 ECON II STAMPED CONTACT</p>	<p>TE Model / Part # 119272-5 ECON II PLATED CONT.</p>
 <p>TE Model / Part # 119272-6 ECONOMATE II PLATED STRIP</p>	<p>TE Model / Part # 119272-7 ECON II PLATED CONTACT</p>	<p>TE Model / Part # 119272-8 ECON II PLATED CONTACT</p>	<p>TE Model / Part # 119272-9 CONTACT RECP ECON 2- PRENOTCHED</p>
<p>TE Model / Part # 265964-1 PIN REMOVAL TOOL</p>			

Customers Also Bought



TE Model / Part #3-1630027-6
HSC300 200R 5%



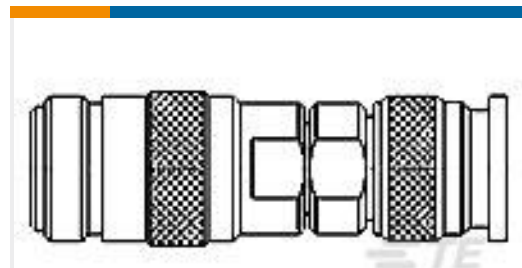
TE Model / Part #858868-1
LGH RECEPTACLE



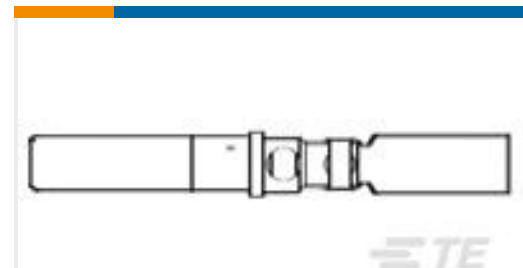
TE Model / Part #1617118-8
J1MAC-5XL = M39016/7-025L



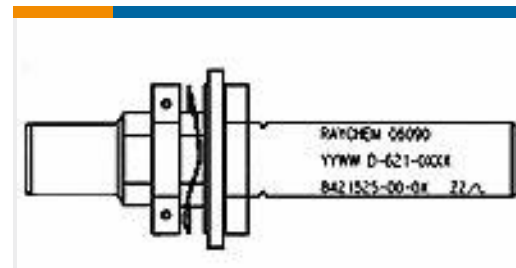
TE Model / Part #869156-000
S02-08-R-95



TE Model / Part #1057388-1
3082 2311 00



TE Model / Part #692485-000
D-602-0289



TE Model / Part #539499-000
D-621-0028



TE Model / Part #2217740-1
CERTI-CRIMP II SAHT ASSEMBLY



TE Model / Part #265896-1
HOUSING REMOVAL TOOL



TE Model / Part #497293-000
D-621-0027

Documents

Instruction Sheets

[Contact Replacement Tool for ACTION PIN Contacts](#)

English

[Instruction Sheet \(U.S.\)](#)

English