



Application Tooling > Insertion & Extraction Tools

Insertion & Extraction Tool Type: **Contact Extraction**Insertion & Extraction Tool Application: **Contact-to-Wire**

Features

Product Type Features

Insertion & Extraction Tool Type	Contact Extraction
Insertion & Extraction Tool Application	Contact-to-Wire

Product Compliance

[For compliance documentation, visit the product page on TE.com>](#)

EU RoHS Directive 2011/65/EU	Compliant
EU ELV Directive 2000/53/EC	Out of Scope
China RoHS 2 Directive MIIT Order No 32, 2016	No Restricted Materials Above Threshold
EU REACH Regulation (EC) No. 1907/2006	Current ECHA Candidate List: JUN 2020 (209) Candidate List Declared Against: JAN 2019 (197) Does not contain REACH SVHC
Halogen Content	Low Halogen - Br, Cl, F, I < 900 ppm per homogenous material. Also BFR/CFR/PVC Free
Solder Process Capability	Not applicable for solder process capability

Product Compliance Disclaimer

This information is provided based on reasonable inquiry of our suppliers and represents our current actual knowledge based on the information they provided. This information is subject to change. The part numbers that TE has identified as EU RoHS compliant have a maximum concentration of 0.1% by weight in homogenous materials for lead, hexavalent chromium, mercury, PBB, PBDE, DBP, BBP, DEHP, DIBP, and 0.01% for cadmium, or qualify for an exemption to these limits as defined in the Annexes of Directive 2011/65/EU (RoHS2). Finished electrical and electronic equipment products will be CE marked as required by Directive 2011/65/EU. Components may not be CE marked. Additionally, the part numbers that TE has identified as EU ELV compliant have a maximum concentration of 0.1% by weight in homogenous materials for lead, hexavalent chromium, and mercury, and 0.01% for cadmium, or qualify for an exemption to these limits as defined in the Annexes of Directive 2000/53/EC (ELV). Regarding the REACH Regulation, the information TE provides on SVHC in articles for this part number is based on the latest European Chemicals Agency (ECHA) 'Guidance on

requirements for substances in articles' posted at this URL: <https://echa.europa.eu/guidance-documents/guidance-on-reach>


Compatible Parts




TE Model / Part # CAT-M8793-T273
MQS, RECEPTACLE AND TAB



TE Model / Part # 1-1452060-1
MQS 1.5 PIN




TE Model / Part # 1-1452060-3
MQS 1.5 PIN CONTACT LP



TE Model / Part # 1-1452351-1
MQS 1.5 PIN




TE Model / Part # 1241604-1
SOCKET CONTACT SWS 0,63X1,5




TE Model / Part # 1241604-2
BU-KONT EDS0,63X1,5




TE Model / Part # 1241606-1
BU-KONT EDS0,63X1,5



TE Model / Part # 1355554-3
MQS1,5 SOCKET CONTACT,LP



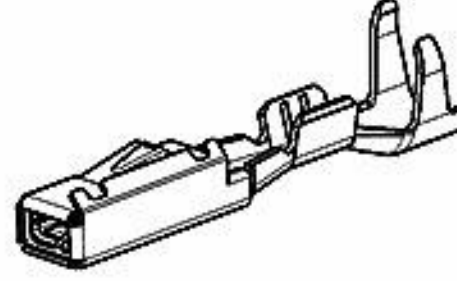
TE Model / Part # 1355557-3
MQS BUCHSENKONT.1,5



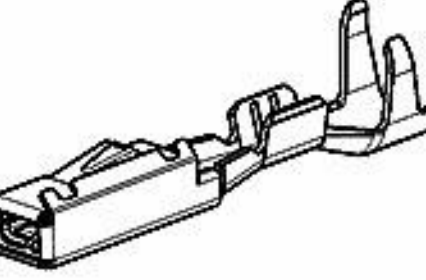
TE Model / Part # 1452060-3
MQS 1.5 PIN CONTACT LP




TE Model / Part # 1241603-2
MQS1,5 Au rec LL EDS 0,35-0,5




TE Model / Part # 1355554-1
MQS BUCHSENKONT.1,5




TE Model / Part # 1355557-1
MQS BUCHSENKONT.1,5



TE Model / Part # 1241605-2
BU-KONT EDS0,63X1,5



TE Model / Part # 1241606-2
BU-KONT EDS0,63X1,5



TE Model / Part # 1355553-2
MQS BUCHSENKONT.1,5

<p>TE Model / Part # 1355554-2 MQS BUCHSENKONT.1,5</p>	<p>TE Model / Part # 1355556-2 MQS BUCHSENKONT.1,5</p>	<p>TE Model / Part # 1355557-2 MQS BUCHSENKONT.1,5</p>	<p>TE Model / Part # 1355556-3 MQS SOCKET CONTACT 1,5</p>
--	--	--	---

Customers Also Bought

 <p>TE Model / Part #1-1355123-3 MQS, CONNECTOR HOUSING</p>	 <p>TE Model / Part #2-962915-2 TIMER, RECEPTACLE AND TAB</p>	 <p>TE Model / Part #1579001-6 ERGO DIE 1.2MM CONT</p>	 <p>TE Model / Part #1-1333206-1 ANVIL, COMBINATION (.100)</p>
 <p>TE Model / Part #529535-7 RBK-MK 4 INCLUDED AIR COOLING</p>	 <p>TE Model / Part #2208730-1 COVER, OUTGOING ANGULAR, ASSY</p>	 <p>TE Model / Part #1-2840573-2 PCON12, TERMINAL, FAM SLD/UNSLD</p>	 <p>TE Model / Part #1-1333207-6 ANVIL, COMBINATION .110</p>

Documents

Product Drawings

EXTRACTION TOOL

German

Datasheets & Catalog Pages

[Crimp Term Whitepaper-Use the Right Tool 1-1773953-1](#)

English

[CRIMPING WHERE FORM MEETS FUNCTION](#)

English

[Insertion-Extraction-Tool-2345721-1](#)

English