



Application Tooling > Insertion & Extraction Tools



Insertion & Extraction Tool Type: **Contact Extraction**

Insertion & Extraction Tool Application: **Contact-to-Housing**

Features

Product Type Features

Insertion & Extraction Tool Type	Contact Extraction
Insertion & Extraction Tool Application	Contact-to-Housing

Product Compliance

[For compliance documentation, visit the product page on TE.com>](#)

EU RoHS Directive 2011/65/EU	Out of Scope
EU ELV Directive 2000/53/EC	Out of Scope
China RoHS 2 Directive MIIT Order No 32, 2016	Not reviewed for China RoHS compliance
EU REACH Regulation (EC) No. 1907/2006	Current ECHA Candidate List: JUN 2020 (209) Candidate List Declared Against: JUN 2016 (169) Does not contain REACH SVHC
Halogen Content	Not Yet Reviewed for halogen content
Solder Process Capability	Not applicable for solder process capability

Product Compliance Disclaimer

This information is provided based on reasonable inquiry of our suppliers and represents our current actual knowledge based on the information they provided. This information is subject to change. The part numbers that TE has identified as EU RoHS compliant have a maximum concentration of 0.1% by weight in homogenous materials for lead, hexavalent chromium, mercury, PBB, PBDE, DBP, BBP, DEHP, DIBP, and 0.01% for cadmium, or qualify for an exemption to these limits as defined in the Annexes of Directive 2011/65/EU (RoHS2). Finished electrical and electronic equipment products will be CE marked as required by Directive 2011/65/EU. Components may not be CE marked. Additionally, the part numbers that TE has identified as EU ELV compliant have a maximum concentration of 0.1% by weight in homogenous materials for lead, hexavalent chromium, and mercury, and 0.01% for cadmium, or qualify for an exemption to these limits as defined in the Annexes of Directive 2000/53/EC (ELV). Regarding the REACH Regulations, TE's information on SVHC in articles for this part number is still based on the European Chemical Agency (ECHA) 'Guidance on requirements for substances in articles' (Version: 2, April 2011), applying the 0.1% weight on weight concentration threshold at the finished

product level. TE is aware of the European Court of Justice ruling of September 10th, 2015 also known as O5A (Once An Article Always An Article) stating that, in case of 'complex object', the threshold for a SVHC must be applied to both the product as a whole and simultaneously to each of the articles forming part of its composition. TE has evaluated this ruling based on the new ECHA "Guidance on requirements for substances in articles" (June 2017, version 4.0) and will be updating its statements accordingly.

Compatible Parts



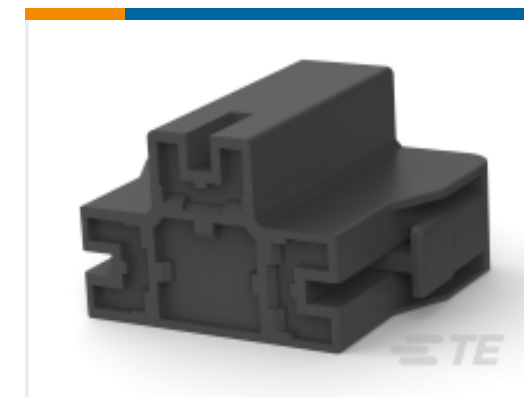
TE Model / Part # 172615-2
POSITIVE LOCK 312 HOUSING
RECEPTACLE



TE Model / Part # 172796-1
PL 312 FLAG REC 20-14 0.32 X 24.9
PTPBR



TE Model / Part # 172795-1
PL 312 FLAG REC 20-14 0.32 X 24.9
PTPBR



TE Model / Part # 172236-2
POSITIVE LOCK 312 HOUSING

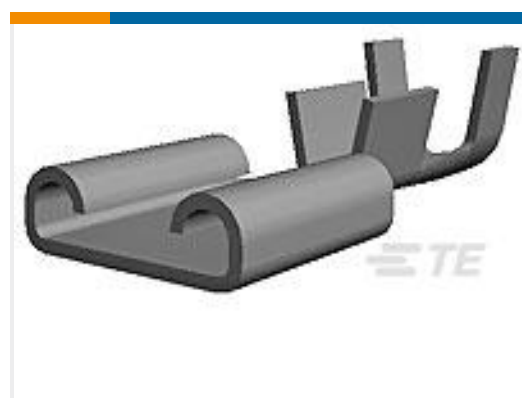


TE Model / Part # 172236-1
POSITIVE LOCK 312 HOUSING



TE Model / Part # 170381-1
PL .312 REC AV 0.5-2 MM2 PRE-TPBR

Customers Also Bought



TE Model / Part #170304-1
FASTON 250 18-22AWG BR



TE Model / Part #8-292262-4
MINI COMMON TERMINATION
HEADERS



TE Model / Part #2237031-1
SIGNAL HEADER



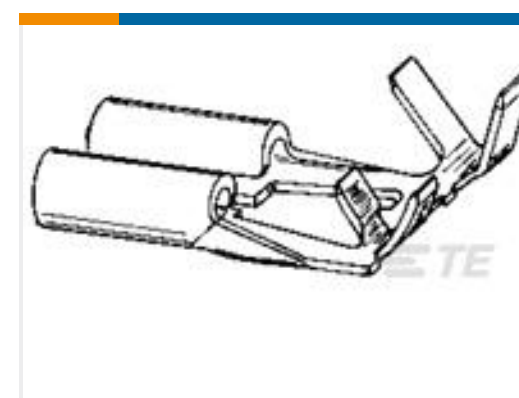
TE Model / Part #2-1718643-4
MCON, CONNECTOR HOUSING



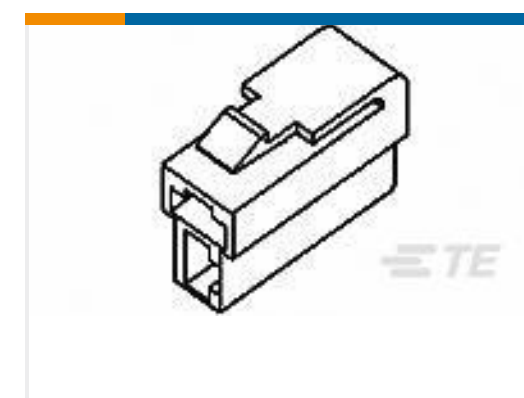
TE Model / Part #1318750-3
HIGH PIN COUNT HEADER



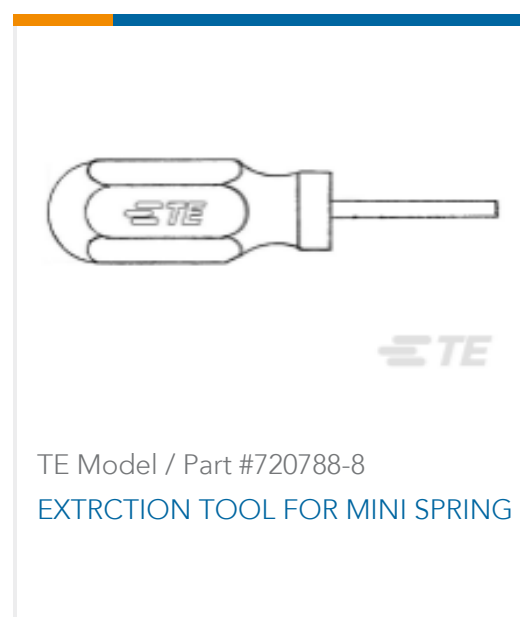
TE Model / Part #1473809-1
TH/.025 CONNECTOR SYSTEM,
HOUSING



TE Model / Part #170191-3
FF 312 REC 18-14AWG TPBR
REREELING



TE Model / Part #172130-6
FF 250 REC HSG 2P NYLON GRAY



Documents

Product Drawings

[EXT.TOOL FOR SHIELD BEAM](#)

English

Datasheets & Catalog Pages

[Crimp Term Whitepaper-Use the Right Tool 1-1773953-1](#)

English

[CRIMPING WHERE FORM MEETS FUNCTION](#)

English

[Insertion-Extraction-Tool-2345721-1](#)

English

Instruction Sheets

[No title](#)

English

[Instruction Sheet \(non U.S.\)](#)

English

[Instruction Sheet \(non U.S.\)](#)

Japanese