

6609014-7 ✓ ACTIVE

Corcom | Corcom EF

TE Internal #: 6609014-7

Corcom EF, Multi-Function Inlet Filters, Power Line, Right Angle,
Leakage Current (Max) (120VAC, 60Hz) 210 μ A

[View on TE.com >](#)



EMI Filters > Multi-Function Inlet Filters > CORCOM EF SERIES IEC FILTERED INLETS



Filter Type: **Power Line**

Mount Angle: **Right Angle**

Leakage Current (Max) (120VAC, 60Hz): **210 μ A**

Leakage Current (Max) (250VAC, 50Hz): **360 μ A**

Multi-Function Inlet Filter Current Rating: **3 A**

[All CORCOM EF SERIES IEC FILTERED INLETS \(15\)](#)

Features

Product Type Features

Ground Choke Option	No
Ground Option	None
Filter Type	Power Line
Input Type	IEC
Multi-Function Inlet Filter Output Type	Wire Lead
Filtered	Yes
Multi-Function Inlet Filter Type of Connector	IEC 60320-1 C-14

Electrical Characteristics

Leakage Current (Max) (120VAC, 60Hz)	210 μ A
Leakage Current (Max) (250VAC, 50Hz)	360 μ A
Multi-Function Inlet Filter Current Rating	3 A
Multi-Function Inlet Filter Voltage (Max)	250 VAC

Mechanical Attachment

Mount Angle	Right Angle
Multi-Function Inlet Filter Mount Style	Flanged

Usage Conditions

Operating Temperature Range	-10 – 40 $^{\circ}$ C
-----------------------------	-----------------------

Product Compliance

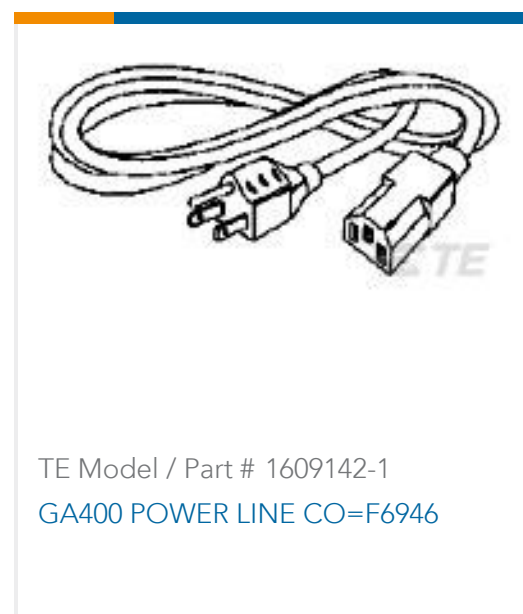
[For compliance documentation, visit the product page on TE.com>](#)

EU RoHS Directive 2011/65/EU	Compliant
EU ELV Directive 2000/53/EC	Compliant
China RoHS 2 Directive MIIT Order No 32, 2016	No Restricted Materials Above Threshold
EU REACH Regulation (EC) No. 1907/2006	Current ECHA Candidate List: JUN 2020 (209) Candidate List Declared Against: JUN 2018 (191) Does not contain REACH SVHC
Halogen Content	Low Halogen - Br, Cl, F, I < 900 ppm per homogenous material. Also BFR/CFR/PVC Free
Solder Process Capability	Not applicable for solder process capability

Product Compliance Disclaimer

This information is provided based on reasonable inquiry of our suppliers and represents our current actual knowledge based on the information they provided. This information is subject to change. The part numbers that TE has identified as EU RoHS compliant have a maximum concentration of 0.1% by weight in homogenous materials for lead, hexavalent chromium, mercury, PBB, PBDE, DBP, BBP, DEHP, DIBP, and 0.01% for cadmium, or qualify for an exemption to these limits as defined in the Annexes of Directive 2011/65/EU (RoHS2). Finished electrical and electronic equipment products will be CE marked as required by Directive 2011/65/EU. Components may not be CE marked. Additionally, the part numbers that TE has identified as EU ELV compliant have a maximum concentration of 0.1% by weight in homogenous materials for lead, hexavalent chromium, and mercury, and 0.01% for cadmium, or qualify for an exemption to these limits as defined in the Annexes of Directive 2000/53/EC (ELV). Regarding the REACH Regulation, the information TE provides on SVHC in articles for this part number is based on the latest European Chemicals Agency (ECHA) 'Guidance on requirements for substances in articles' posted at this URL: <https://echa.europa.eu/guidance-documents/guidance-on-reach>

Compatible Parts

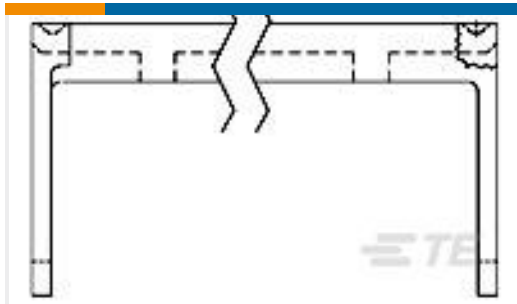
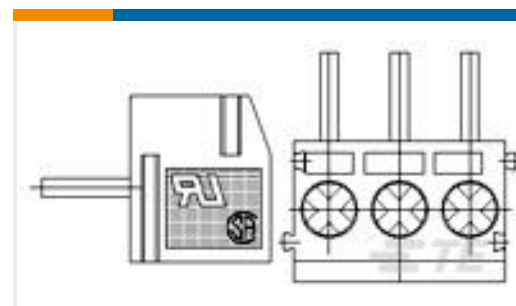


Also in the Series | **Corcom EF**



Multi-Function Inlet Filters(15)

Customers Also Bought

TE Model / Part #8-1437020-6
609-2031HD=FSKT IDC S 20 SRTE Model / Part #1-1734829-1
AMP HPI 1.25MM HEADERSTE Model / Part #6-1813099-3
CIRCULAR DIN HOUSINGSTE Model / Part #226781-3
ARINC SIZE 15 SOCKETTE Model / Part #829394-4
2X4P MOD II UNSHRD HDR, ST, 0.8 AUTE Model / Part #1-1744418-6
16 POS EP 2.5 HDR, GLOW WIRETE Model / Part #1776253-8
R/A Top Wire Entry, 3.5mm, HT,TE Model / Part #1969591-5
HSG,REC,PANEL MOUNT,GWT,
SINGLE ROW,EP2.5TE Model / Part #2007815-3
IMP100S,H,V4P10C,RG,LEW39,5,5TE Model / Part #1676210-1
RN 0805 182R 0.1% 10PPM CUT
LENGTH

Documents

Product Drawings

[3EF4=F7110 S0](#)

English

CAD Files

Customer View Model

[ENG_CVM_6609014-7_C.3d_igs.zip](#)

English

Customer View Model



[ENG_CVM_6609014-7_C.3d_stp.zip](#)

English

Customer View Model

[ENG_CVM_6609014-7_C.2d_dxf.zip](#)

English

3D PDF

English

By downloading the CAD file I accept and agree to the [Terms and Conditions](#) of use.

Datasheets & Catalog Pages

[1654001_CORCOM_PRODUCT_GUIDE](#)

English

[1654001_CORCOM_PRODUCT_GUIDE_EF_SERIES](#)

English

[Corcom Combined Selector Charts](#)

English