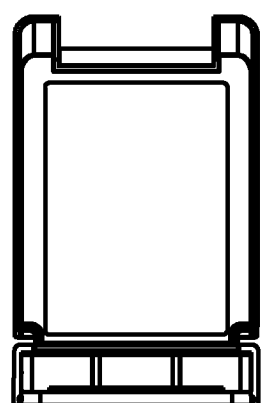
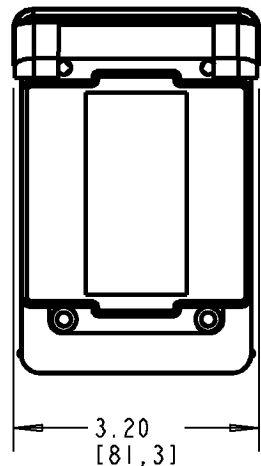
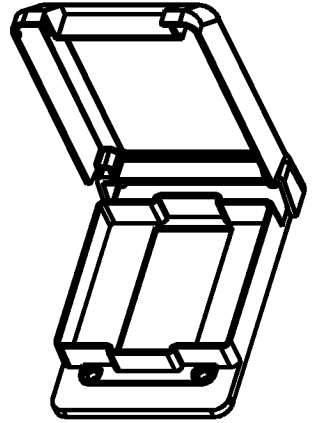
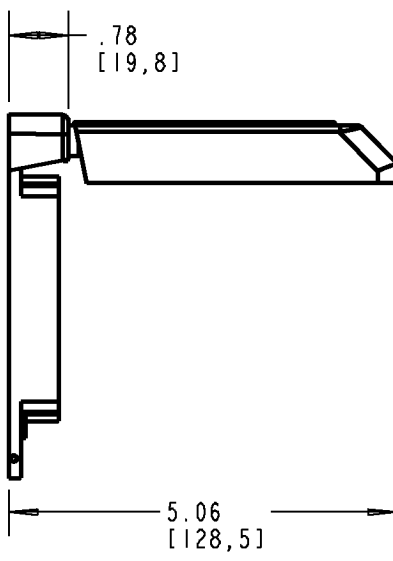
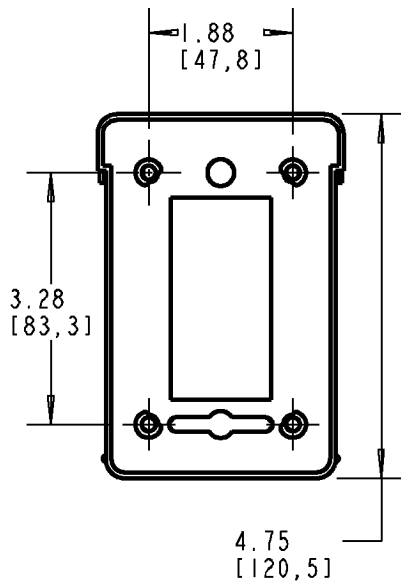



# Carlton®



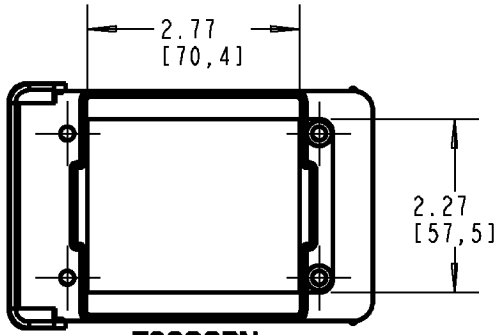
**NOTE:**

BASES ARE DESIGNED TO SPECIFICALLY SUPPORT VARIOUS RECEPTACLES, AND ALL CONTAIN A COMMON COVER.

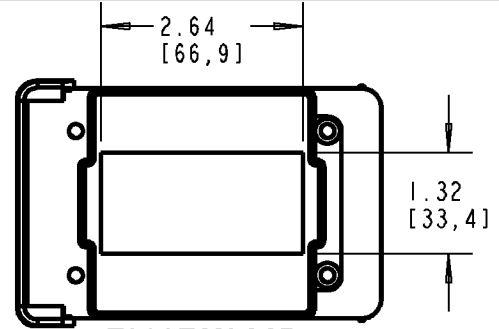
THIS SHEET DEPICTS OVERALL DIMENSIONS. SEE SHEET TWO FOR PART NUMBERS IDENTIFYING RECEPTACLE SPECIFIC BASES.

<b>GENERAL NOTES</b>		 www.tnb.com			
1. ALL DIMENSIONS ARE FOR REFERENCE ONLY. 2. DIMENSIONS IN BRACKETS [ ] ARE IN METRIC UNITS.					
<b>REVISIONS</b>		DESCRIPTION: <b>WEATHERPROOF COVERS VERTICAL</b>			
** SEE ERN ( **** ) FOR APPROVAL SIGNATURES & RELEASE DATE. PROJECT NO: ****		ORIGINAL PROJECT NO / ( ERN NO ) / ( )	SHEET NO: 1 OF 2	REV. NO: A	DRAWING NO: <b>WSD-AC05025</b>

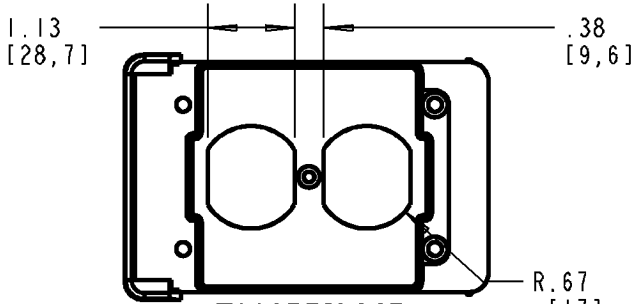
# Carlton®



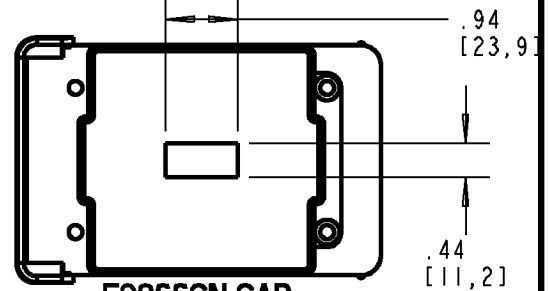
**E98GCBN**  
**(CIRCUIT BREAKER)**



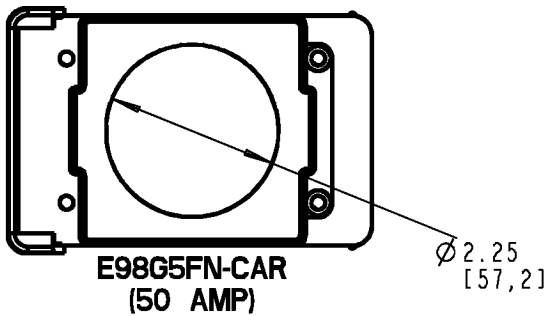
**E98GFCN-CAR**  
**E98GFCM-CAR (WHT)**  
**E98GFCB-CAR (BRONZE)**  
**E98GFCBCL (BRONZE)**  
**(GFI)**



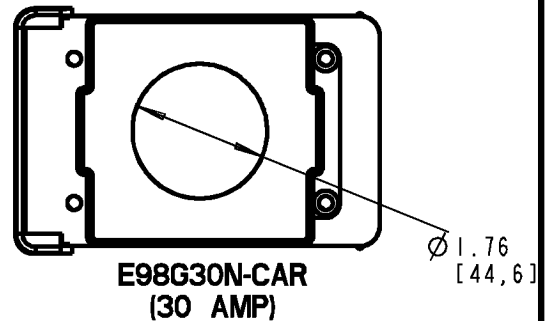
**E98GDRN-CAR**  
**E98GDRM-CAR (WHT)**  
**E98GDRB-CAR (BRONZE)**  
**(DUPLEX)**



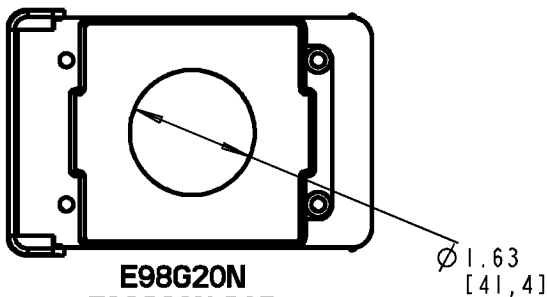
**E98SSCN-CAR**  
**E98GSSM-CAR (WHT)**  
**(TOGGLE SWITCH)**



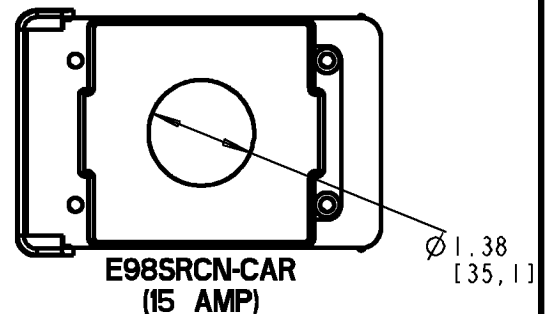
**E98G5FN-CAR**  
**(50 AMP)**



**E98G30N-CAR**  
**(30 AMP)**



**E98G20N**  
**E98G20N-CAR**  
**(20 AMP)**



**E98SRCN-CAR**  
**(15 AMP)**

**Thomas & Betts**  
www.tnb.com

DESCRIPTION:

**WEATHERPROFF COVERS**  
**VERTICAL**

SHEET NO:

2 OF 2

REV. NO:

B

DRAWING NO:

**WSD-AC05025**