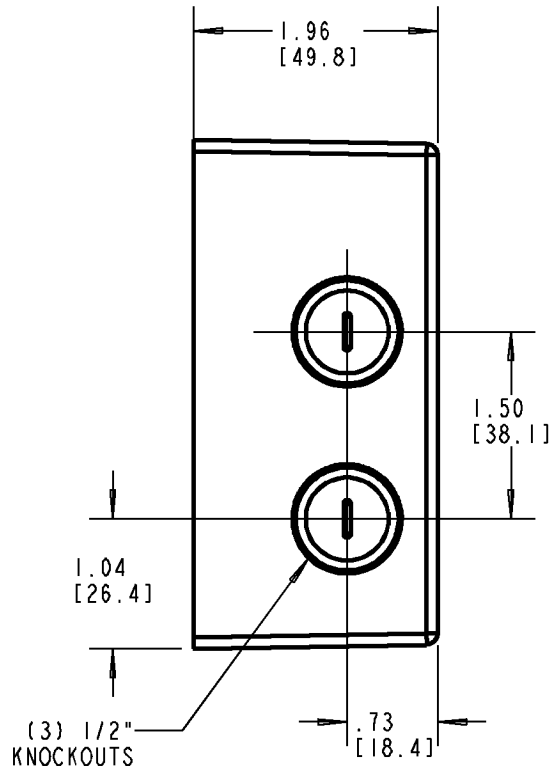
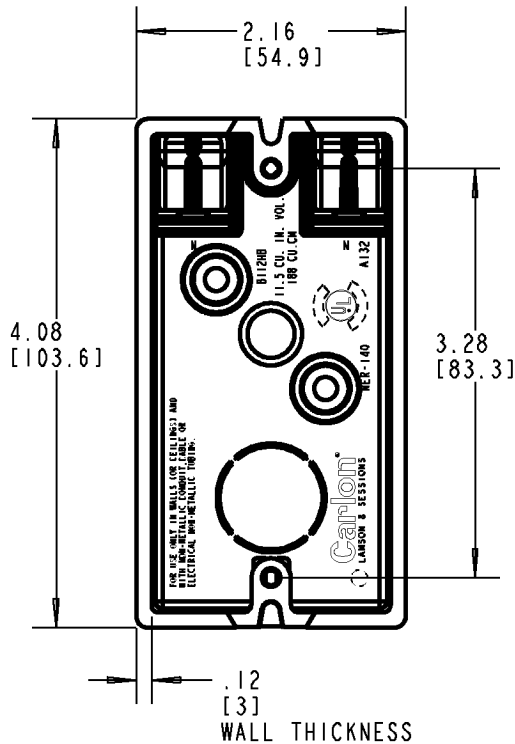
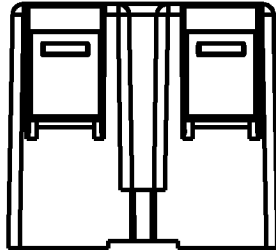
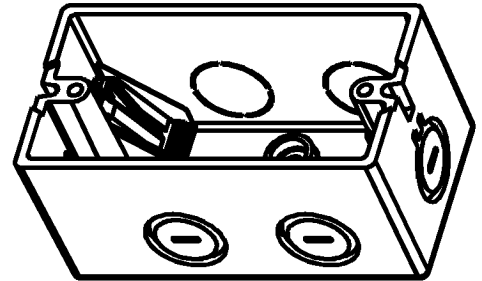


Carlton®



P/N
B112HB
B112HBR

GENERAL NOTES

1. ALL DIMENSIONS ARE FOR REFERENCE ONLY.
2. DIMENSIONS IN BRACKETS [] ARE IN METRIC UNITS.

REVISIONS

*** SEE ERN (****) FOR APPROVAL SIGNATURES & RELEASE DATE.
PROJECT NO: ****

Thomas & Betts
www.tnb.com

DESCRIPTION: **HANDI-BOX AND COVERS**

ORIGINAL PROJECT NO / (ERN NO)

/ ()

SHEET NO:

1 OF 2

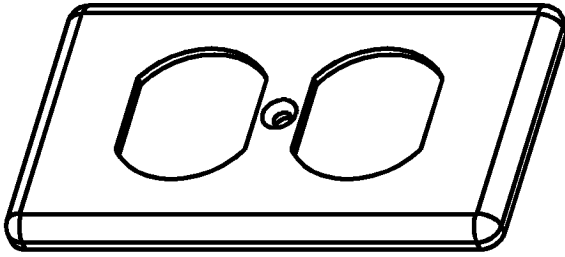
REV. NO:

A

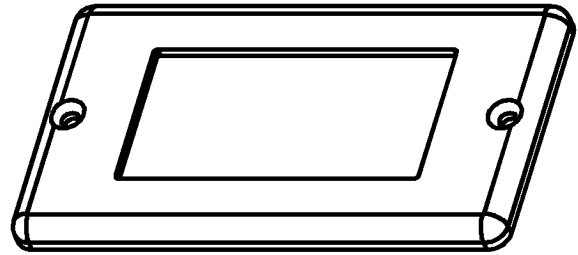
DRAWING NO:

WSD-AC04223

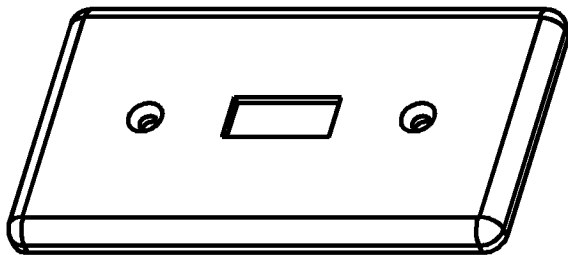
Carlton®



HBIDP



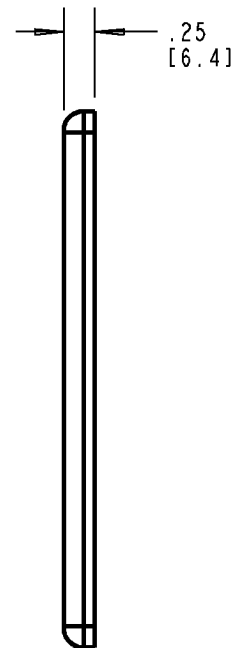
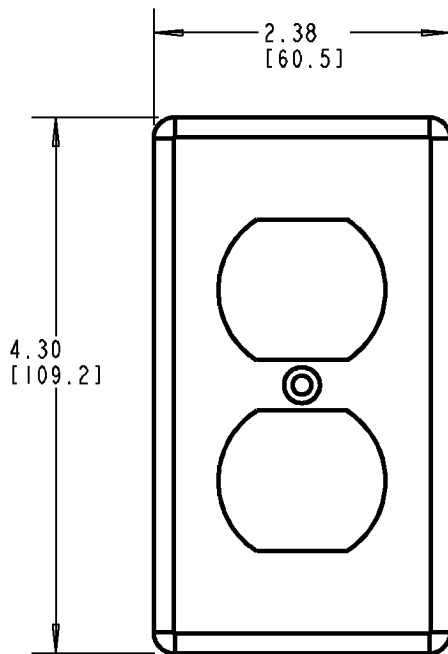
HBIGF



HBISW



HBIBL
WITH 1/2" KNOCKOUT



Thomas & Betts
www.tnb.com

DESCRIPTION: **HANDI-BOX AND COVERS**

SHEET NO:
2 OF 2

REV. NO:
A

DRAWING NO:
WSD-AC04223