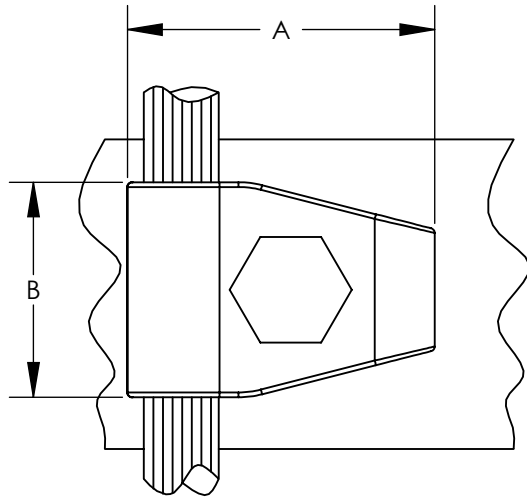


THIS COPY IS PROVIDED ON A RESTRICTED BASIS AND IS NOT TO BE USED IN ANY WAY DETRIMENTAL TO THE INTERESTS OF PANDUIT CORP.

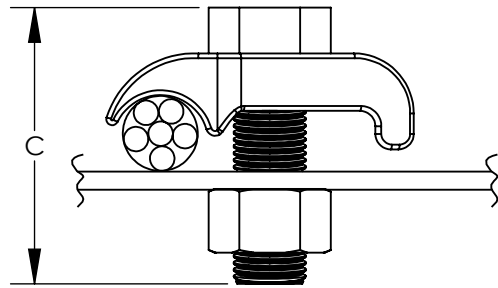


NOTES:

1. MADE FROM HIGH COPPER CONTENT ALLOY. FURNISHED WITH FULL THREADED SILICON BOLT, NUTS, AND LOCKWASHERS.
2. THESE CONNECTORS ARE UL LISTED FOR GROUNDING AND BONDING, AND DIRECT BURIAL APPLICATIONS.
3. SEE [www.PANDUIT.com](http://www.PANDUIT.com) FOR PACKAGE QUANTITIES.



DB  
RATED



PANDUIT PART NUMBER	CONDUCTOR RANGE	DIMENSIONS - IN [mm] ±.1 [2.5]			BOLT DIA
		A	B	C	
GMS-1-X	8 SOL - 4 STR	1.25 [32]	1.00 [25]	1.63 [41]	3/8"
GMS-2-Q	4 SOL - 2/0 STR	1.63 [41]	1.13 [28]	1.75 [44]	3/8"
GMS-3-Q	2/0 SOL - 250 kcmil	2.13 [54]	1.50 [38]	2.00 [51]	1/2"
GMS-4-X	300 kcmil - 500 kcmil	2.38 [60]	1.63 [41]	2.50 [63]	1/2"

REV	DATE	BY	CHK	APR	DESCRIPTION	ECN
06	7/18	JHNU	JHNU	RGB	ADDED GMS-4-X	038340
05	11/15	JHNU	JHNU	RGB	REVISED WIRE RANGE FOR GMS-3-Q: 2/0 SOL WAS 2/0 STR	N41170BA-C41170

TITLE <b>BRONZE GROUND CLAMP GMS SERIES CUSTOMER DRAWING</b>			
ITEM REVISION NAME N41170BA/06		<b>PANDUIT</b>	
DATASET FILE NAME N41170BA-C41170/06.SLDDRW			
UNLESS OTHERWISE SPECIFIED, DIMENSIONAL TOLERANCES ARE: IN [mm] .X ± .XX ±		MATERIAL SEE NOTES	
THIRD ANGLE PROJECTION		DRAWING NUMBER C41170	
DRAWN BY ED	DATE 10/95	CHK WJB	SCALE N/A
SHEET 1 OF 1			SIZE A