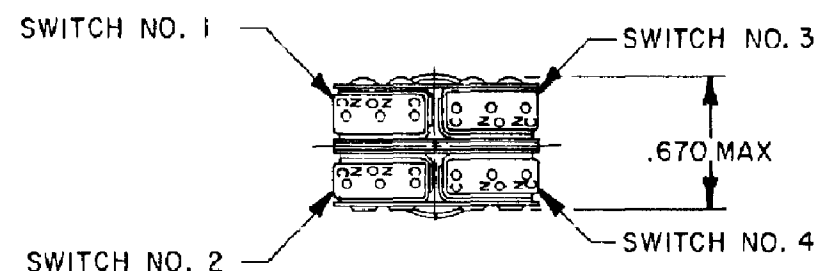
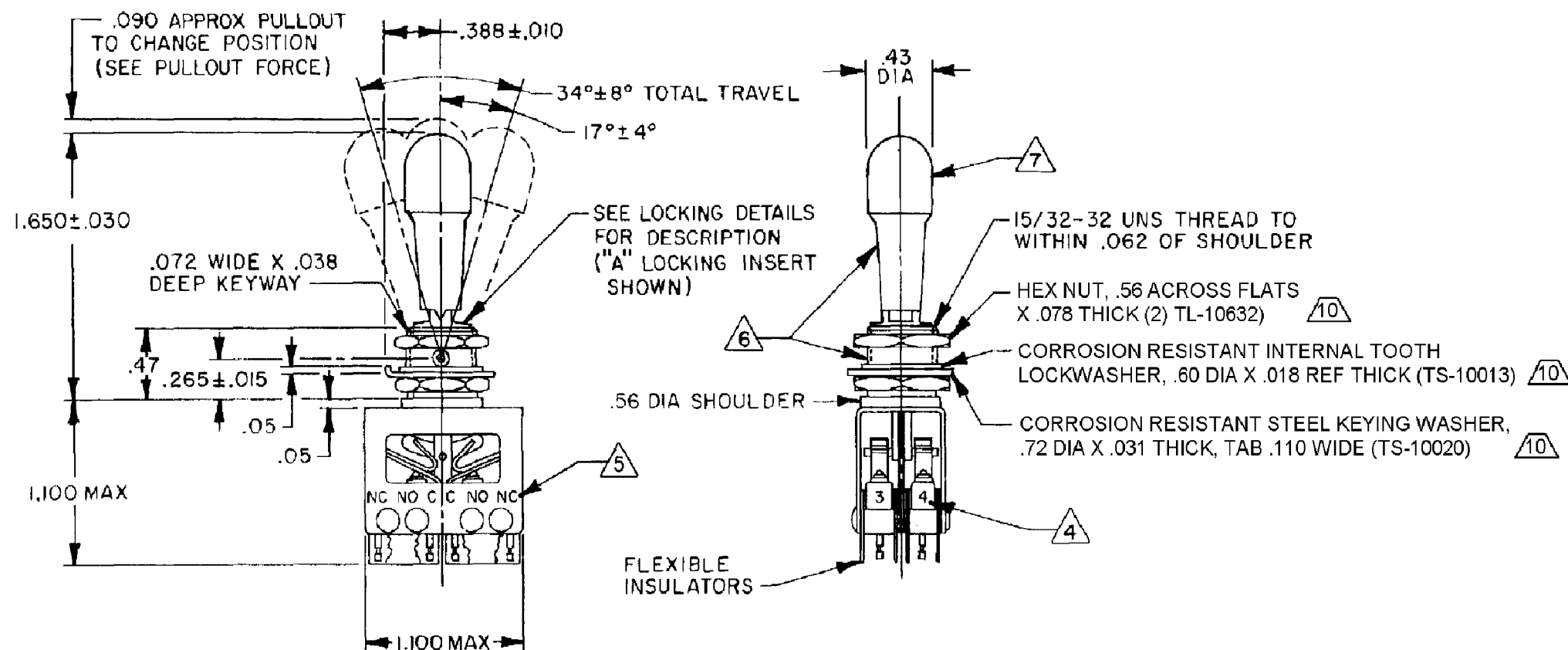


HONEYWELL
PART NUMBER

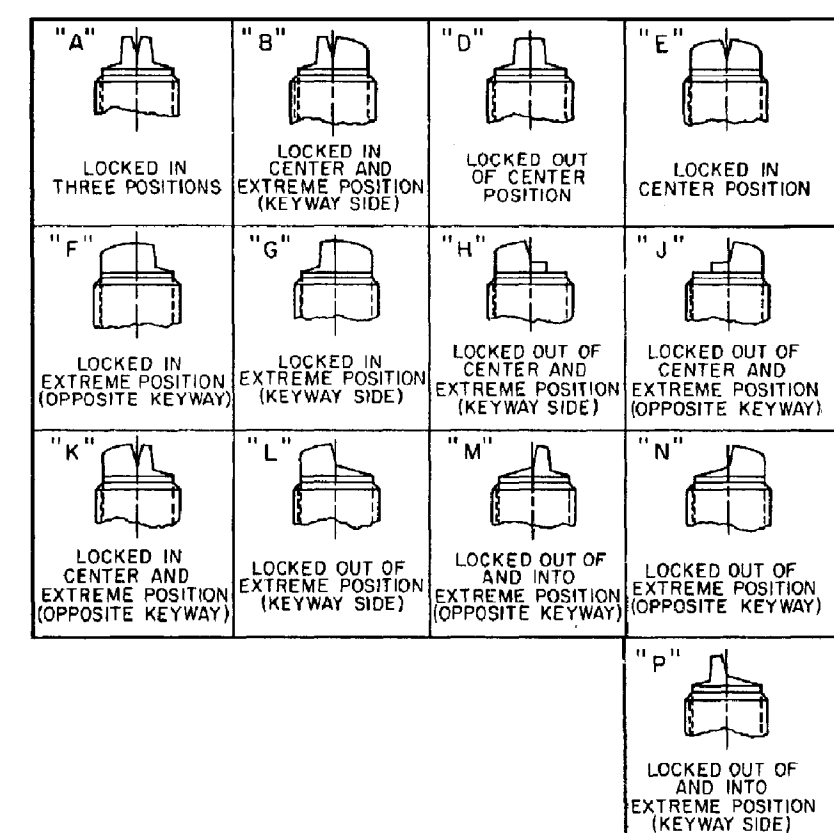
64AT22 SERIES CHART 2

REV	DOCUMENT	CHANGED BY	CHECK
16	0012331	KSR 07APR05	AK



CATALOG LISTING	KEYWAY POSITION		CENTER POSITION		OPPOSITE KEYWAY POSITION		RECOMMENDED LOCKING COMBINATIONS
	C-NC	C-NO	C-NO	C-NC	C-NC	C-NO	
64AT22-1A	FAA-PMA						
64AT22-1B							A, B, D, E, F, G, H, J, K, L, M, N, P
64AT22-1D							D, F, G
64AT22-1E	FAA-PMA						E, K, M, N
64AT22-1F							E, L, N
64AT22-1G							B, E, G, L, N, P
64AT22-1H							
64AT22-1J							
64AT22-1K							
64AT22-1L							
64AT22-1M							
64AT22-1N							
64AT22-1P							
64AT22-3D							
64AT22-3F							
64AT22-3G							
64AT22-5E							
64AT22-5K							
64AT22-5M							
64AT22-5N							
64AT22-7E	FAA-PMA						
64AT22-7L							
64AT22-7N							
64AT22-514B							
64AT22-514E							
64AT22-514G							
64AT22-514L							
64AT22-514N							
64AT22-514P							

* ASTERISK DENOTES MOMENTARY POSITION



- NOTES
- UNIT INCLUDES (21SX39-H58 TYPE) BASIC SWITCH (4) (MEETS REQUIREMENTS OF MIL-8805/4)
 - SWITCHES DO NOT NECESSARILY OPERATE SIMULTANEOUSLY
 - PLATED TERMINALS WILL ACCEPT "AMP INC" .058 DIA PIN RECEPTACLES
 - SWITCH NUMBERS STAMPED ON END OF BASIC SWITCHES
 - TERMINAL DESIGNATION STAMPED ON BOTH SIDES OF UNIT
 - DULL FINISH ON LEVER AND BUSHING
 - FLAT WHITE RESILIENT SILICONE (50 DUROMETER APPROX)
 - SUFFIX LETTER MUST BE ADDED FOR DESIRED TYPE TOGGLE LOCKING (SEE CHART FOR RECOMMENDED LOCKING COMBINATIONS)
 - FOR REPLACEMENT BUTTON SEE MICRO SWITCH CAT. LIST. 15PA90-6W
 - HARDWARE FURNISHED ASSEMBLED WITH SWITCH OR IN PACKET 15PA313-AT PER MIL-PRF-8805
 - REPLACEMENT MOUNTING HARDWARE PACKET 15PA313-AT
 - SWITCH MEETS THE REQUIREMENTS OF MIL-PRF-8805/88 EXCEPT INITIAL CONTACT RESISTANCE IS 50 MILLIOHMS MAX AND FINAL CONTACT RESISTANCE AFTER MECHANICAL ENDURANCE IS 600 MILLIOHMS MAX.
 - FOR MANUFACTURING DETAIL SEE THE CORRESPONDING ASSEMBLY DRAWING FOR EACH LISTING FOR FAA-PMA.

LOAD	ELECTRICAL RATINGS		
	SEA LEVEL		50,000 FT
	28 Vdc (AMPERES)	115 Vac, 60 Hz (AMPERES)	28 Vdc (AMPERES)
RESISTIVE	7	7	4
INDUCTIVE	4	7	2.5

CHARACTERISTICS	ELECTRICAL DATA
PULLOUT FORCE - - - - 3 LB MIN - 5 LB MAX	CONTACT ARRANGEMENT S P D T (4)

DESIGN UNITS: INCH
TOLERANCES UNLESS NOTED:
NO PLACE X ±
ONE PLACE .X ± 0.030
TWO PLACE .XX ± 0.015
THREE PLACE .XXX ± 0.005
FOUR PLACE .XXXX ±
ANGLES ±

THIRD ANGLE PROJECTION

DRAWN	CSL	12MAR98
CHECK	MDM	11FEB04
THIS DRAWING COVERS A PROPRIETARY ITEM AND IS THE PROPERTY OF HONEYWELL. THIS DRAWING IS NOT TO BE COPIED OR USED WITHOUT THE PERMISSION OF HONEYWELL.		
INTERPRET PER ASME Y14.5M-1994 OTHER HONEYWELL ENGINEERING STANDARDS MAY APPLY		
RASTER		

Honeywell			
TITLE ASSEMBLY - TOGGLE SWITCH			
SIZE C	TYPE I	DRAWING NAME 64AT22 SERIES CHART 2	REV 16
SCALE FULL	WEIGHT .09 LB EST	SHEET 1 OF 1	