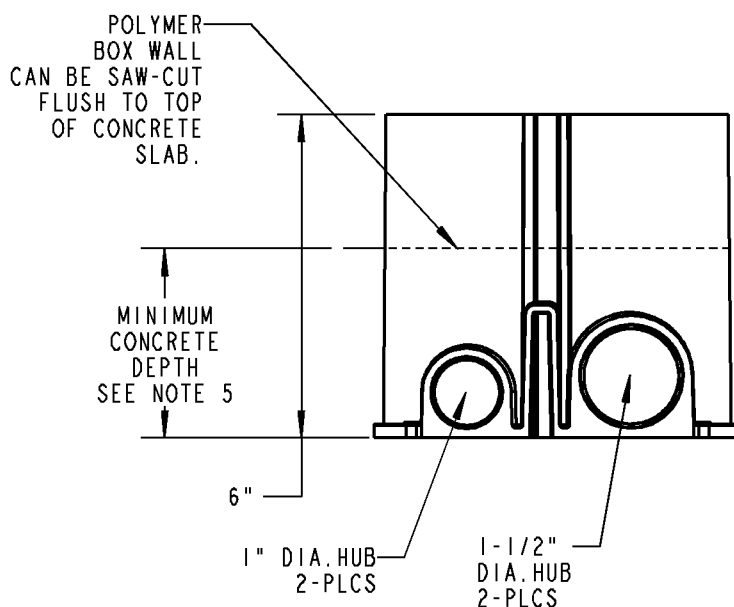


### NOTES:

- MOLDED FROM A HIGH-GRADE POLYMER MATERIAL COMPATIBLE TO BE BONDED TO STANDARD SCHEDULE PVC CONDUIT USING PVC CEMENT.
- 140 CU. INCHES MAXIMUM VOLUME  
25 CU. INCHES PER INCH OF DEPTH
- HUBS AND REDUCERS FURNISHED TO WORK WITH 3/4", 1" AND 1-1/2" STANDARD PVC CONDUIT.
- FURNISHED COMPLETE WITH:  
QTY. 1 68-HP FLOOR BOX  
QTY. 1 TEMPORARY CONCRETE CAP  
QTY. 2 1-1/2" X 1" PVC REDUCERS  
QTY. 2 1" X 3/4" PVC REDUCER/PLUGS
- MINIMUM CONCRETE BOX DEPTH:  
3-1/2" FOR FUTURE FEED SERVICE.  
4" FOR FLUSH SERVICE



## CATALOG NO: 68-HP NON-METALLIC FLOOR BOX

GENERAL NOTES		 www.tnb.com				
1. ALL DIMENSIONS ARE FOR REFERENCE ONLY. 2. DIMENSIONS IN BRACKETS [ ] ARE IN METRIC UNITS.						DESCRIPTION: <b>68-HP NON-METALLIC FLOOR BOX</b>
REVISIONS		ORIGINAL PROJECT NO / ( ERN NO )		SHEET NO:	REV. NO:	DRAWING NO:
1. SEE ERN 2013889 FOR APPROVAL SIGNATURES & RELEASE DATE. PROJECT NO: 5AM400388		UD55819 / ( 2011942 )		1 OF 1	1	WSD-000582