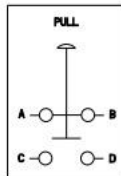
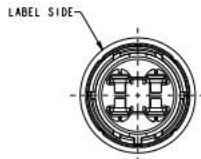
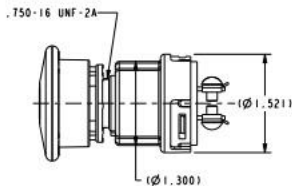
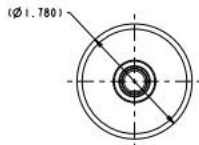
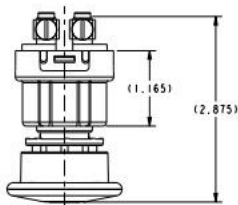


| TABULATION | | | |
|--------------|--------------|--------------|------------------|
| PART NUMBER | ITEM 1 | ITEM 3 | COLOR (REF ONLY) |
| 50070974-001 | 50071755-001 | 50071756-001 | ORANGE |
| -002 | -002 | -002 | RED |
| -003 | -003 | -003 | YELLOW |
| -004 | -004 | -004 | BLACK |
| -005 | -005 | -005 | GREEN |
| -006 | -006 | -006 | BLUE |
| -- | -- | -- | -- |
| -008 | -008 | -008 | GRAY |
| -009 | -009 | -009 | WHITE |

| REV | ECO | DESCRIPTION | DATE | APPROVED |
|-----|---------|-------------|-----------|----------|
| A | 0084706 | - | 19 DEC 11 | - |

**SCHEMATIC****NOTES**

- MATERIAL: NYLON, 33% GLASS FILLED.
BUTTON MATERIAL: ACETAL
- CHECK SWITCH FUNCTIONALITY AND ELECTRICAL CONTINUITY 100% PRIOR TO APPLICATION OF PRODUCT LABEL.
- ATTACH PRODUCT LABEL TO SIDE OF HOUSING AS SHOWN ON SHEET 2. LABEL INCLUDES: HONEYWELL LOGO, HONEYWELL PART #, DATE CODE, ELECTRICAL RATINGS, AND SCHEMATIC.
- ITEMS 1 THROUGH 7 ARE NOT INSTALLED, REFERENCE PACK-OP-994700.
- INSTALLATION DRAWING: 50070976

DESIGN UNITS: INCH
TOLERANCE UNLESS NOTED:

| | | | |
|--------------|------|---|-------|
| NO PLACES | X | ± | 0.03 |
| ONE PLACE | .X | ± | 0.019 |
| TWO PLACES | .XX | ± | 0.004 |
| THREE PLACES | .XXX | ± | 1.0° |
| ANGLES | X | A | |

THIRD ANGLE PROJECTION



DRAWN [] 19 DEC 11
CHECK [] 19 DEC 11

THIS DRAWING COVERS A PROPRIETARY ITEM AND IS THE PROPERTY OF HONEYWELL. THIS DRAWING IS NOT TO BE COPIED OR USED WITHOUT THE PERMISSION OF HONEYWELL.

INTERPRET PER RESISTDXT-1
OTHER HONEYWELL ENGINEERING STANDARDS MAY APPLY

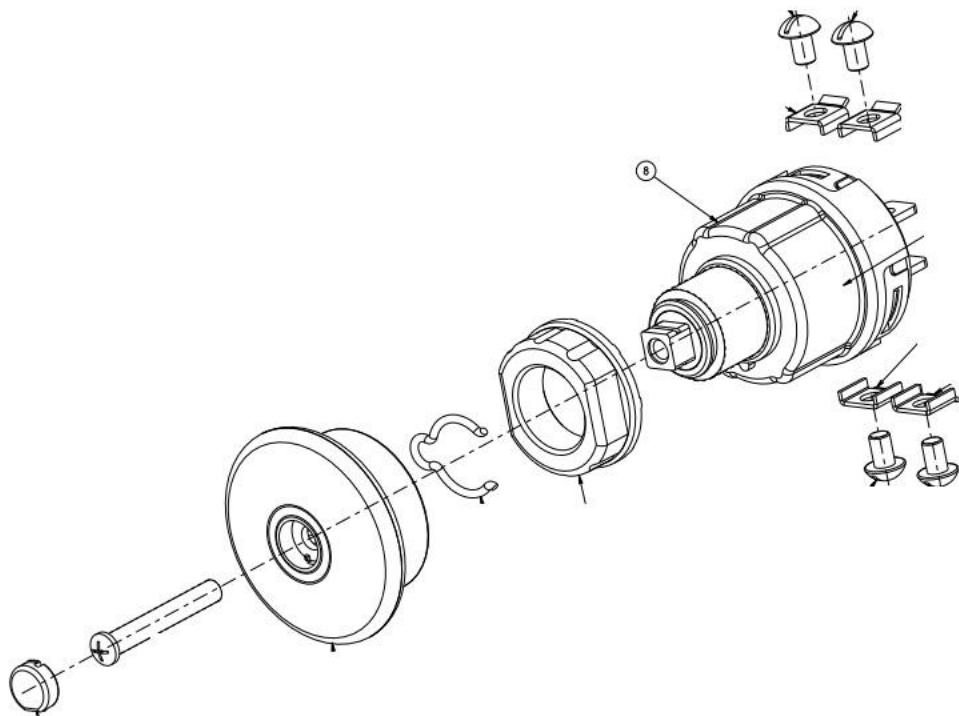
PROF. ENGINEER

Honeywell
TITLE SWITCH, PUSH-PULL
SEALED, DUAL CIRCUIT

| SIZE | TYPE | CAGE CODE | DRAWING NAME | REV |
|------|------|-----------|--------------|-----|
| C | | 96744 | 50070974 | A |

3D SCALE

SHEET 1 OF 2



SCALE 2:1

THIS DRAWING COVERS A PROPRIETARY
ITEM AND IS THE PROPERTY OF
HONEYWELL. THIS DRAWING IS
NOT TO BE COPIED OR USED WITHOUT
THE PERMISSION OF HONEYWELL.

Honeywell

SIZE TYPE/CAGE CODE/DRAWING NAME

C - 96744

50070874

REV

A

SCALE

SHEET 2 OF 2