



115.111.129.98LFCLLaufwagen

Carriage LFCL42 (Series LFCL)

hollow section carriage, clearance-free; corrosion-resistant
design possible

The datasheet is only an overview of dimensions and basic load ratings of the selected product. Please always observe all the guidelines in these overview pages. Further information is given on many products under the menu item "Description". You can also order comprehensive information via the Catalogue ordering system

(https://www.schaeffler.de/content.schaeffler.de/en/news_media/index.jsp) or by telephone on +49 (91 32) 82 - 28 97.

H ₁	38,1 mm
B	116 mm
L	150 mm
1)	Threaded slot or screw channel for screws M3
G ₄	M8 Maximum screw depth: M6 = 10 mm M8 = 12 mm M10 = 14 mm
H	Total height of carriage and guideway: H = 39 mm For LFS, -C, -CE, -CEE, -E, -EE, -N, -NZZ H = 33,9 mm For LFS...-F
H ₂	26,4 mm Tolerance: +0,3/0
H ₃	18 mm
J _B	73 mm
J _{B1}	73 mm
J _{B2}	98,5 mm
J _{L1}	85 mm
J _{L3}	55 mm
max	
J _{L3}	15 mm
min	
mw	1000 g Mass of carriage The basic load ratings are not valid for "-RB" designs.
C _y	10200 N Basic dynamic load rating in y direction

C_{0y}	5480 N	Basic static load rating in y direction
C_z	16900 N	Basic dynamic load rating in z direction
C_{0z}	10000 N	Basic static load rating in z direction
M_{0x}	85 Nm	Static moment rating about X axis
M_{0y}	425 Nm	Static moment rating about Y axis
M_{0z}	230 Nm	Static moment rating about Z axis

Ordering designation:

- Corrosion-resistant design:

Carriage: LFCL..-RB

Guideway: LFS..-RB

Track roller: LFR..-2RSR-RB

- Guideway without holes:

LFS..-OL

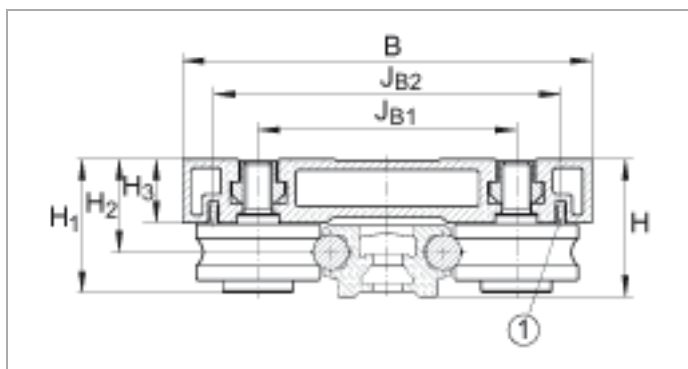
The design of the hollow sections is dependent on the size.

LFR5201-10-2Z Track roller used

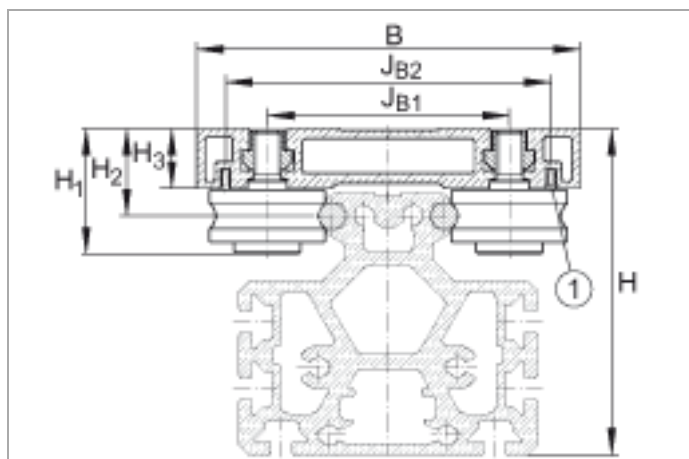
For shaft diameter: 10 mm

For ordering of replacement parts, please contact us.

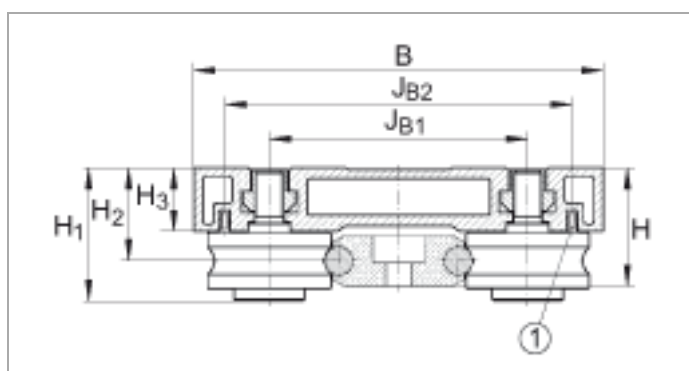
LFS42 The calculation of basic load ratings and moment ratings is based on the use of this guideway



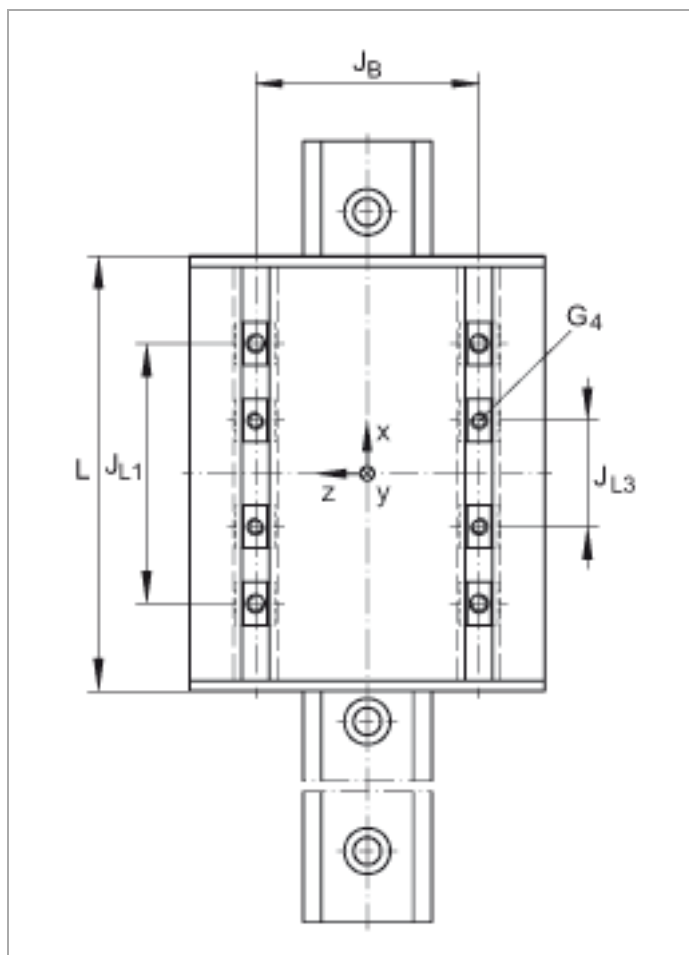
LFCL with LFS, -C, -CE, -CEE, -E, -EE, -N, -NZZ



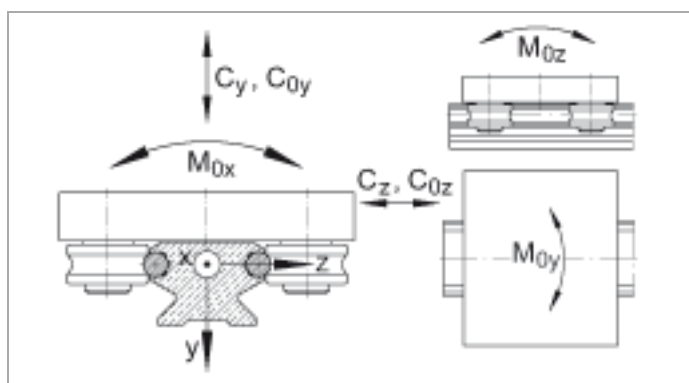
LFCL with LFS..-M



LFCL with LFS..-F



LFCL with LFS, -C, -CE, -CEE, -E, -EE, -N, -NZZ, -M, -F



Load directions