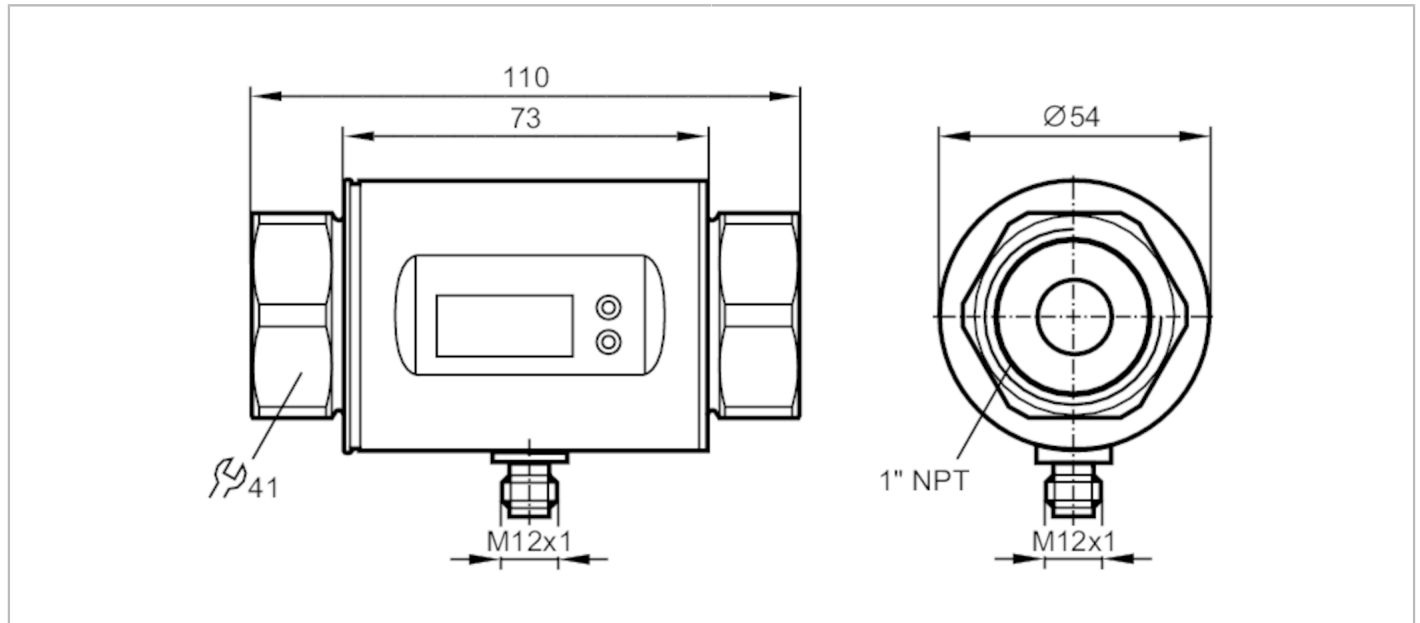


SM8604



Magnetic-inductive flow meter

SMN11GGX50KG/US-100



Product characteristics	
Number of inputs and outputs	Number of analog outputs: 2
Process connection	threaded connection 1" NPT DN25
Temperature monitoring	
Measuring range	[°C] -20...80
Application	
System	gold-plated contacts
Application	for industrial applications
Media	Conductive liquids; water; water-based media
Note on media	conductivity: $\geq 20 \mu\text{S/cm}$ viscosity: $< 70 \text{ mm}^2/\text{s}$ (40 °C)
Medium temperature	[°C] -10...70
Pressure rating	[bar] 16
Pressure rating	[Mpa] 1.6
MAWP (for applications according to CRN)	[bar] 11.2
Electrical data	
Operating voltage	[V] 20...30 DC; (according to EN 50178 SELV/PELV)
Current consumption	[mA] 120; (24 V)
Protection class	III
Reverse polarity protection	yes
Power-on delay time	[s] 5
Inputs / outputs	
Number of inputs and outputs	Number of analog outputs: 2

SM8604



Magnetic-inductive flow meter

SMN11GGX50KG/US-100

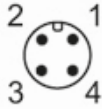
Outputs		
Total number of outputs		2
Output signal		analog signal
Number of analog outputs		2
Analog current output	[mA]	4...20; (scalable)
Max. load	[Ω]	500
Overload protection		yes
Measuring/setting range		
Measuring range	0.2...100 l/min	0.1...26.4 gpm
Display range	-120...120 l/min	-31.7...31.7 gpm
Resolution	0.1 l/min	0.05 gpm
Analog start point ASP	0...80 l/min	0...21.1 gpm
Analog end point AEP	20...100 l/min	5.3...26.4 gpm
In steps of	0.1 l/min	0.05 gpm
Temperature monitoring		
Measuring range	[°C]	-20...80
Resolution	[°C]	0.2
Analog start point	[°C]	-20...60
Analog end point	[°C]	0...80
In steps of	[°C]	0.2
Accuracy / deviations		
Flow monitoring		
Accuracy (in the measuring range)		± (2 % MW + 0,5 % MEW)
Repeatability		± 0,2% MEW
Temperature monitoring		
Accuracy	[K]	± 2,5 (Q > 1 l/min)
Reaction times		
Flow monitoring		
Response time	[s]	0.15; (dAP = 0, T19)
Damping for the switching output dAP	[s]	0...3
Temperature monitoring		
Dynamic response T05 / T09	[s]	T09 = 20 (Q > 1 l/min)
Operating conditions		
Ambient temperature	[°C]	-10...60
Storage temperature	[°C]	-25...80
Protection		IP 67
Tests / approvals		
EMC	DIN EN 60947-5-9	500 withstand voltage (V DC)
Shock resistance	DIN EN 60068-2-27	20 g (11 ms)
Vibration resistance	DIN EN 60068-2-6	5 g (10...2000 Hz)
MTTF	[years]	175
Pressure equipment directive		sound engineering practice; can be used for group 2 fluids; group 1 fluids on request

SM8604



Magnetic-inductive flow meter

SMN11GGX50KG/US-100

Mechanical data		
Weight [g]	670.5	
Material	stainless steel (1.4404 / 316L); PBT-GF20; PC; FKM; TPE	
Materials (wetted parts)	stainless steel (1.4404 / 316L); PEEK; FKM	
Process connection	threaded connection 1" NPT DN25	
Displays / operating elements		
Display	Display unit	6 x LED, green (l/min, m ³ /h, gpm, gph, °C, °F)
	Measured values	alphanumeric display, 4-digit
	Programming	alphanumeric display, 4-digit
Display unit	l/min; m ³ /h; gpm; gph; °C; °F	
Remarks		
Remarks	MW = Measured value	
	MEW = Final value of the measuring range	
Pack quantity	1 pcs.	
Electrical connection		
Connector: 1 x M12; Contacts: gold-plated		
		

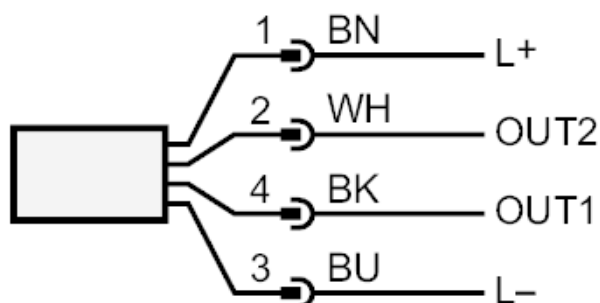
SM8604



Magnetic-inductive flow meter

SMN11GGX50KG/US-100

Connection



Colours to DIN EN 60947-5-2

OUT1: analog output Temperature monitoring

OUT2: analog output Volumetric flow quantity monitoring

Core colors :

BK = black

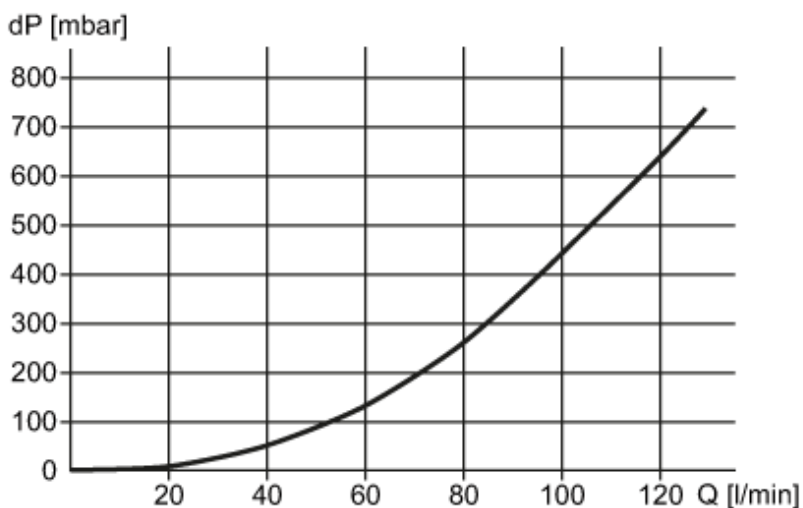
BN = brown

BU = blue

WH = white

Diagrams and graphs

Pressure loss



dP Pressure loss

Q volumetric flow quantity