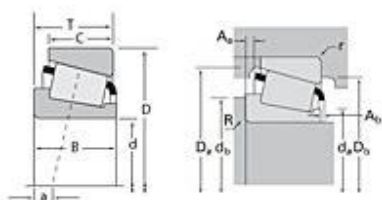


TIMKEN

The Timken Company
 4500 Mt Pleasant St. NW
 N. Canton, OH 44720
 Phone: (234) 262-3000
 E-Mail: CustomerCAD@timken.com • Web site: www.timken.com

Timken Part Number 15590 - 15520, Tapered Roller Bearings - TS (Tapered Single) Imperial

This is the most basic and most widely used type of tapered roller bearing. It consists of two main separable parts: the cone (inner ring) assembly and the cup (outer ring). It is typically mounted in opposing pairs on a shaft.



[Specifications](#) | [Dimensions](#) | [Abutment and Fillet Dimensions](#) | [Basic Load Ratings](#) | [Factors](#)

Specifications

Series	15500
Cone Part Number	15590
Cup Part Number	15520
Design Units	Imperial
Bearing Weight	0.4 lb 0.200 Kg
Cage Type	Stamped Steel

Dimensions

d - Bore	1.1250 in 28.575 mm
D - Cup Outer Diameter	2.2500 in 57.150 mm

B - Cone Width	0.6875 in 17.463 mm
C - Cup Width	0.5313 in 13.495 mm
T - Bearing Width	0.6875 in 17.463 mm

Abutment and Fillet Dimensions

R - Cone Backface "To Clear" Radius¹	0.14 in 3.560 mm
r - Cup Backface "To Clear" Radius²	0.060 in 1.52 mm
da - Cone Frontface Backing Diameter	1.32 in 33.53 mm
db - Cone Backface Backing Diameter	1.56 in 39.62 mm
Da - Cup Frontface Backing Diameter	2.11 in 53.10 mm
Db - Cup Backface Backing Diameter	2.01 in 51.05 mm
Ab - Cage-Cone Frontface Clearance	0.1 in 2.5 mm
Aa - Cage-Cone Backface Clearance	0 in 0 mm
a - Effective Center Location³	-0.20 in -5.10 mm

Basic Load Ratings

C90 - Dynamic Radial Rating (90 million revolutions)⁴	2680 lbf 11900 N
C1 - Dynamic Radial Rating (1 million revolutions)⁵	10300 lbf 46000 N
C0 - Static Radial Rating	11300 lbf 50100 N
C_{a90} - Dynamic Thrust Rating (90 million revolutions)⁶	1590 lbf 7070 N

Factors

K - Factor⁷	1.69
e - ISO Factor⁸	0.35
Y - ISO Factor⁹	1.73
G1 - Heat Generation Factor (Roller-Raceway)	12.7
G2 - Heat Generation Factor (Rib-Roller End)	10.3
Cg - Geometry Factor	0.0577

¹ These maximum fillet radii will be cleared by the bearing corners.

² These maximum fillet radii will be cleared by the bearing corners.

³ Negative value indicates effective center inside cone backface.

⁴ Based on 90×10^6 revolutions L_{10} life, for The Timken Company life calculation method. C_{90} and C_{a90} are radial and thrust values.

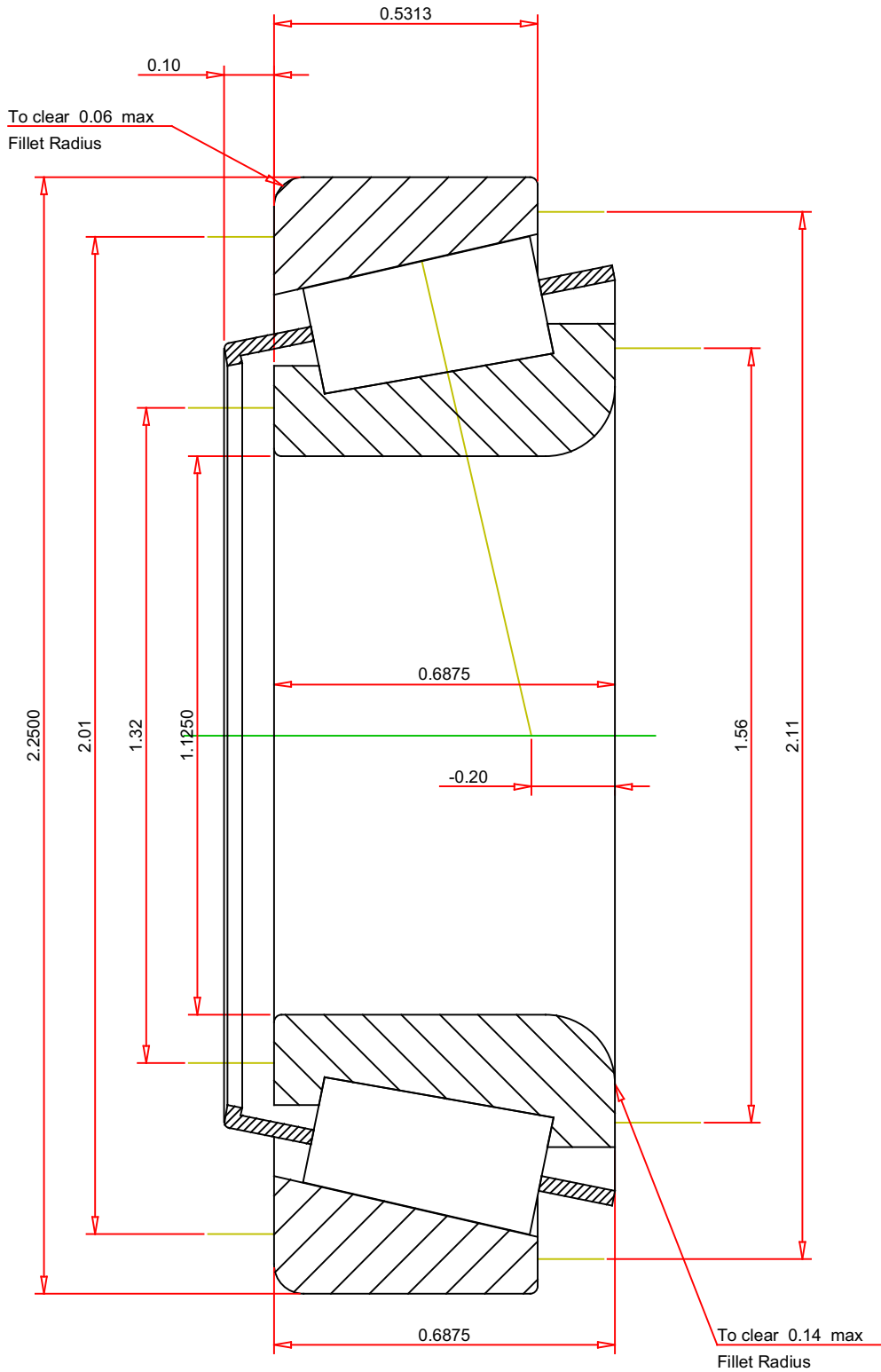
⁵ Based on 1×10^6 revolutions L_{10} life, for the ISO life calculation method.

⁶ Based on 90×10^6 revolutions L_{10} life, for The Timken Company life calculation method. C_{90} and C_{a90} are radial and thrust values for a single-row, $C_{90(2)}$ is the two-row radial value.

⁷ These factors apply for both inch and metric calculations. Consult your Timken representative for instruction on use.

⁸ These factors apply for both inch and metric calculations. Consult your Timken representative for instruction on use.

⁹ These factors apply for both inch and metric calculations. Consult your Timken representative for instruction on use.



IMPERIAL UNITS

ISO Factor - e	0.35
ISO Factor - Y	1.73
Bearing Weight	0.4 lb
Number of Rollers Per Row	17
Effective Center Location	-0.2 inch

TIMKEN®

**15590 - 15520
TS BEARING ASSEMBLY**

**THE TIMKEN COMPANY
NORTH CANTON, OHIO USA**

K Factor	1.69
Dynamic Radial Rating - C90	2680 lbf
Dynamic Thrust Rating - Ca90	1590 lbf
Static Radial Rating - C0	11300 lbf
Dynamic Radial Rating - C1	10300 lbf

Every reasonable effort has been made to ensure the accuracy of the information contained in this writing, but no liability is accepted for errors, omissions or for any other reason.

FOR DISCUSSION ONLY