

# Ty-Rap

**NOTES:**

1. MATERIAL: NDT SERIES- NYLON, COLOR BLUE, BROWN, NATURAL  
PDT SERIES- POLYPROPYLENE, COLOR BLUE, BROWN, NATURAL
2. FLAMMABILITY: PDT SERIES- UL94 HB  
PDT SERIES- UL94 HB
3. OPERATING TEMPERATURE RANGE: -40°F [-40°C] TO 185°F [85°C]
4. MAXIMUM WIRE BUNDLE: SEE TABLE
5. DETECTABLE USING METAL DETECTION AND X-RAY DETECTION SYSTEMS  
DENSITY: 1.16g/cc

CATALOG NUMBER	FIG.	MAX. WIRE BUNDLE DIA	TENSILE STRENGTH LBS [N]	A	B	C	D	F	G
TY523M-NDT	1	.78 [20]	18LBS [80N]	3.437 [87,3]	.188 [4,78]	.036 [,91]	.153 [3,89]	.185 [4,7]	.092 [2,34]
TY523M-1-NDT	1	.78 [20]	18LBS [80N]	3.437 [87,3]	.188 [4,78]	.036 [,91]	.153 [3,89]	.185 [4,7]	.092 [2,34]
TY523M-9-NDT	1	.78 [20]	18LBS [80N]	3.437 [87,3]	.188 [4,78]	.036 [,91]	.153 [3,89]	.185 [4,7]	.092 [2,34]
TY524M-NDT	1	1.38 [35]	40LBS [178N]	5.226 [132,7]	.156 [4]	.045 [1,14]	.180 [4,57]	.250 [6,35]	.140 [3,56]
TY524M-1-NDT	1	1.38 [35]	40LBS [178N]	5.226 [132,7]	.156 [4]	.045 [1,14]	.180 [4,57]	.250 [6,35]	.140 [3,56]
TY524M-9-NDT	1	1.38 [35]	40LBS [178N]	5.226 [132,7]	.156 [4]	.045 [1,14]	.180 [4,57]	.250 [6,35]	.140 [3,56]
TY525M-NDT	1	1.73 [44]	50LBS [222N]	7.015 [178,18]	.296 [7,52]	.048 [1,22]	.220 [5,59]	.315 [8,0]	.186 [4,72]
TY525M-1-NDT	1	1.73 [44]	50LBS [222N]	7.015 [178,18]	.296 [7,52]	.048 [1,22]	.220 [5,59]	.315 [8,0]	.186 [4,72]
TY525M-9-NDT	1	1.73 [44]	50LBS [222N]	7.015 [178,18]	.296 [7,52]	.048 [1,22]	.220 [5,59]	.315 [8,0]	.186 [4,72]
TY5253M-PDT	1	3.00 [76]	50LBS [222N]	11.16 [283,36]	.250 [6,35]	.047 [1,21]	.210 [533,5]	0.310 [788,5]	.185 [469,5]
TY5253M-1-PDT	1	3.00 [76]	50LBS [222N]	11.16 [283,36]	.250 [6,35]	.047 [1,21]	.210 [533,5]	0.310 [788,5]	.185 [469,5]
TY5253M-9-PDT	1	3.00 [76]	50LBS [222N]	11.16 [283,36]	.250 [6,35]	.047 [1,21]	.210 [533,5]	0.310 [788,5]	.185 [469,5]
TY5253M-9-NDT	1	3.00 [76]	50LBS [222N]	11.16 [283,36]	.250 [6,35]	.047 [1,21]	.210 [533,5]	0.310 [788,5]	.185 [469,5]
TY5253M-1-NDT	1	3.00 [76]	50LBS [222N]	11.16 [283,36]	.250 [6,35]	.047 [1,21]	.210 [533,5]	0.310 [788,5]	.185 [469,5]
TY5253M-NDT	1	3.00 [76]	50LBS [222N]	11.16 [283,36]	.250 [6,35]	.047 [1,21]	.210 [533,5]	0.310 [788,5]	.185 [469,5]
TY527M-NDT	2	3.50 [88,9]	120LBS [534N]	13.172 [334,57]	.328 [8,33]	.060 [1,52]	.320 [8,13]	.479 [12,17]	.270 [6,86]
TY527M-1-NDT	2	3.50 [88,9]	120LBS [534N]	13.172 [334,57]	.328 [8,33]	.060 [1,52]	.320 [8,13]	.479 [12,17]	.270 [6,86]
TY527M-9-NDT	2	3.50 [88,9]	120LBS [534N]	13.172 [334,57]	.328 [8,33]	.060 [1,52]	.320 [8,13]	.479 [12,17]	.270 [6,86]
TY528M-NDT	2	4.00 [101]	50LBS [222N]	13.921 [353,6]	.266 [6,76]	.047 [1,19]	.215 [5,46]	.323 [8,2]	.184 [4,67]
TY528M-1-NDT	2	4.00 [101]	50LBS [222N]	13.921 [353,6]	.266 [6,76]	.047 [1,19]	.215 [5,46]	.323 [8,2]	.184 [4,67]
TY528M-9-NDT	2	4.00 [101]	50LBS [222N]	13.921 [353,6]	.266 [6,76]	.047 [1,19]	.215 [5,46]	.323 [8,2]	.184 [4,67]
TY523M-PDT	1	.88 [22]	18LBS [80N]	3.437 [87,3]	.188 [4,78]	.036 [,91]	.153 [3,89]	.185 [4,7]	.092 [2,34]
TY525M-PDT	1	1.75 [45]	30LBS [135N]	7.015 [178,18]	.296 [7,52]	.048 [1,22]	.220 [5,59]	.315 [8,0]	.186 [4,72]
TY527M-PDT	2	4.00 [102]	60LBS [267N]	13.172 [334,57]	.328 [8,33]	.060 [1,52]	.320 [8,13]	.479 [12,17]	.270 [6,86]
TY528M-PDT	2	4.00 [102]	40LBS [180N]	13.921 [353,6]	.266 [6,76]	.047 [1,19]	.215 [5,46]	.323 [8,2]	.184 [4,67]

**GENERAL NOTES**

1. ALL DIMENSIONS ARE FOR REFERENCE ONLY.
2. DIMENSIONS IN BRACKETS [ ] ARE IN METRIC UNITS.

www.tnb.com

**Thomas & Betts**  
A Member of the ABB Group

DESCRIPTION:

**DETECTABLE CABLE TIE**

**REVISIONS**

- |   |   |
|---|---|
| 2 | SEE ERN 2018098 FOR APPROVAL SIGNATURES & RELEASE DATE.<br>PROJECT NO: 009D000923 |
|---|---|

ORIGINAL PROJECT NO / ( ERN NO )

**FD55682 / ( 2006747 )**

SHEET NO:

**1 OF 2**

REV. NO:

**2**

DRAWING NO:

**WSD-000276**

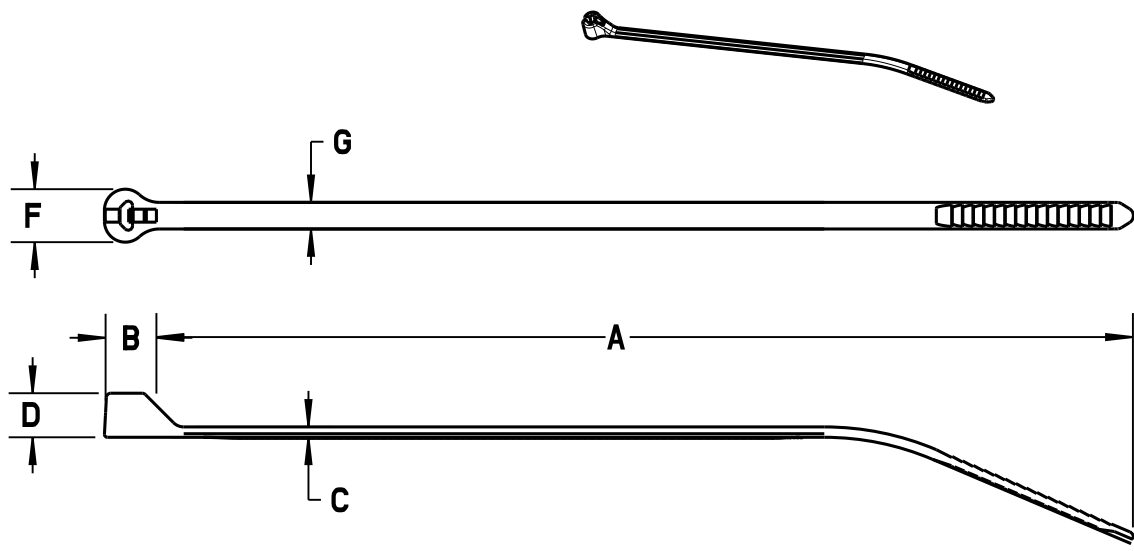


FIG. 1

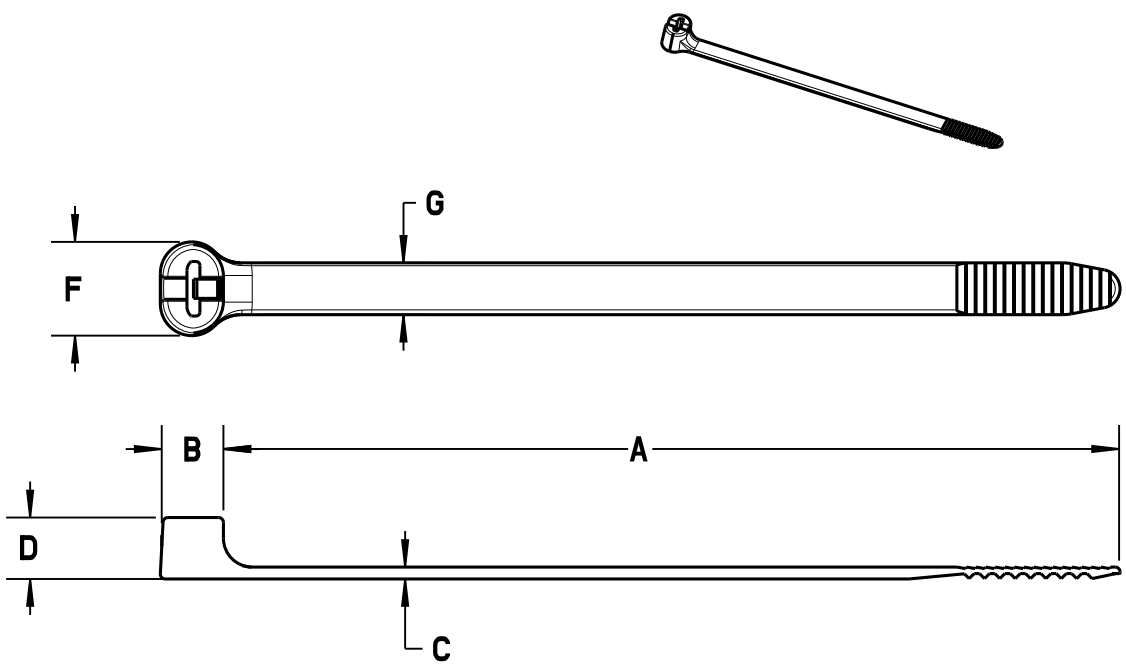


FIG. 2

www.tnb.com

**Thomas & Betts**  
A Member of the ABB Group

DESCRIPTION:

**DETECTABLE CABLE TIE**

SHEET NO:  
2 OF 2

REV. NO:  
2

DRAWING NO:  
**WSD-000276**

THIS DRAWING IS INTENDED FOR DESCRIPTIVE PURPOSES ONLY. AND THE RIGHT IS RESERVED TO DEVIATE FROM ANY OF THE DETAILS SHOWN HEREON. COPYRIGHT THOMAS & BETTS CORPORATION. ALL RIGHTS RESERVED. PROPRIETARY AND CONFIDENTIAL.