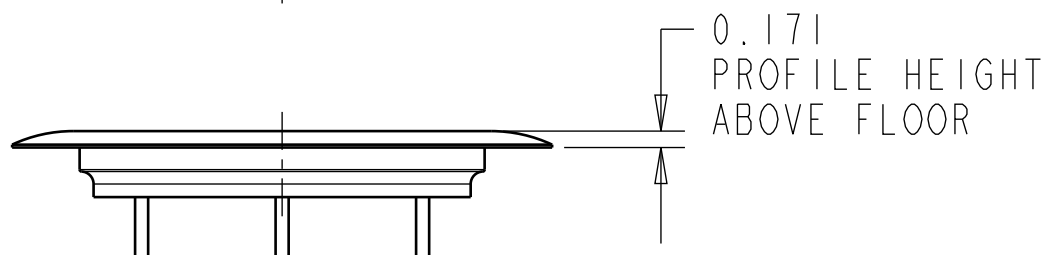
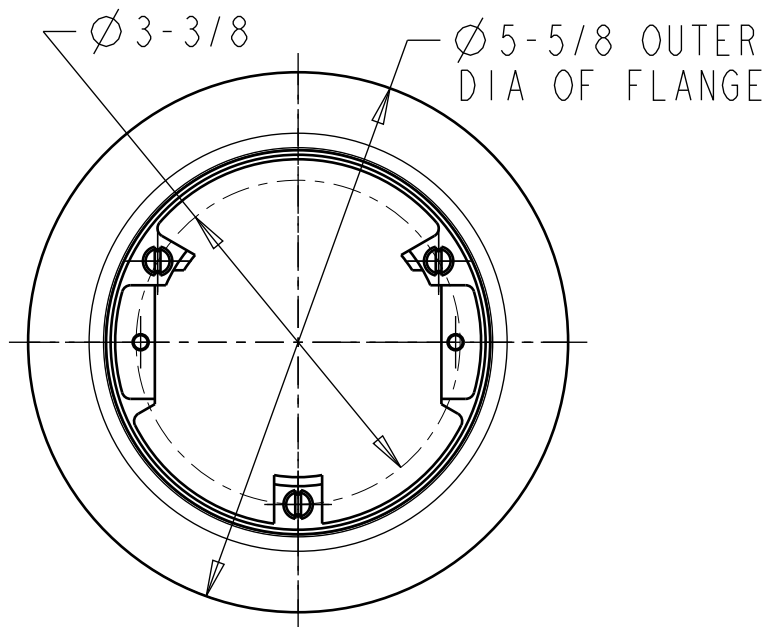
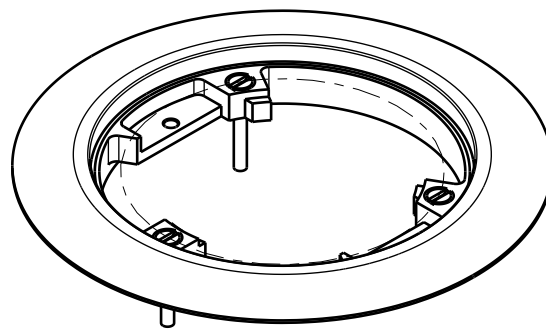


CATALOG NUMBERS:  
P 60 CP, P 60 CP AL



FEATURES:

1. FOR USE WITH 663 SC, 68P, 68 AND 600 SERIES FLOOR BOXES
2. AVAILABLE IN SOLID BRASS AND ALUMINUM MATERIAL FINISH
3. FURNISHED WITH 8-32 X 1" SCREWS

CATALOG NUMBERS	MATERIAL	FINISH
P 60 CP	SOLID BRASS	BRASS
P 60 CP AL	ALUMINUM	ALUMINUM

GENERAL NOTES

1. ALL DIMENSIONS ARE FOR REFERENCE ONLY.
2. DIMENSIONS IN BRACKETS [ ] ARE IN METRIC UNITS.

www.tnb.com

REVISIONS

A SEE ECN ( \*\*\*\* ) FOR APPROVAL SIGNATURES & RELEASE DATE.  
PROJECT NO: \*\*\*\*

DESCRIPTION:

**P 60 CP, P 60 CP AL  
CARPET PLATE, ROUND**

**Thomas & Betts**  
A Member of the ABB Group

ORIGINAL PROJECT NO / ECN NO

003V001056 / ECN000083908

SHEET NO:

1 OF 1

REV. NO:

A

DRAWING NO:

WSD-002605