

1

2

3

4

5

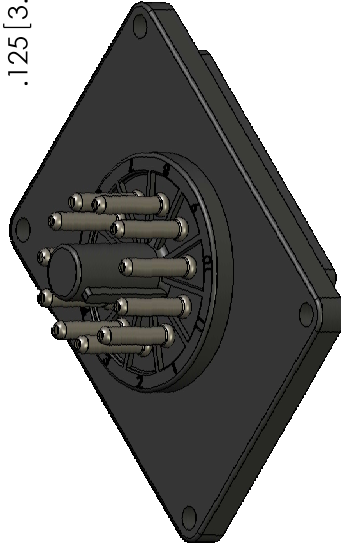
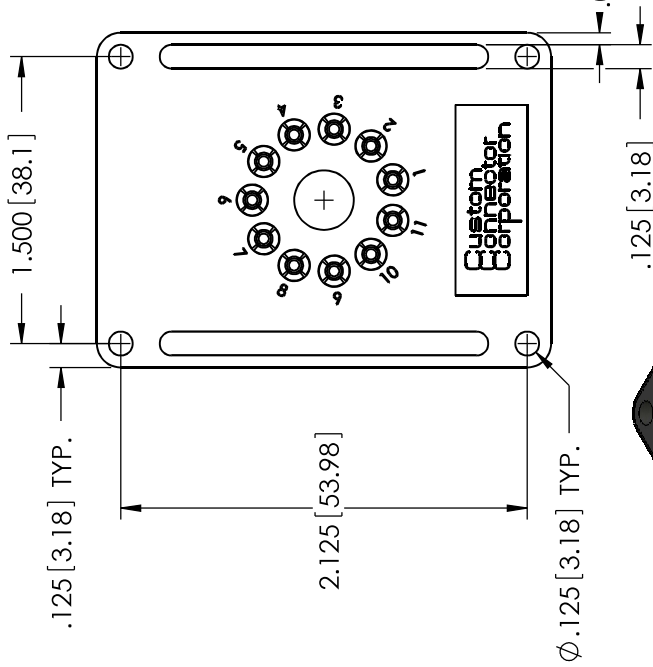
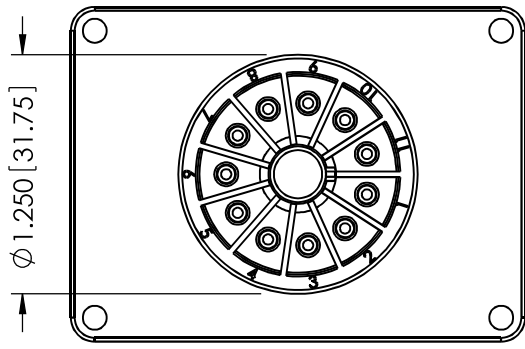
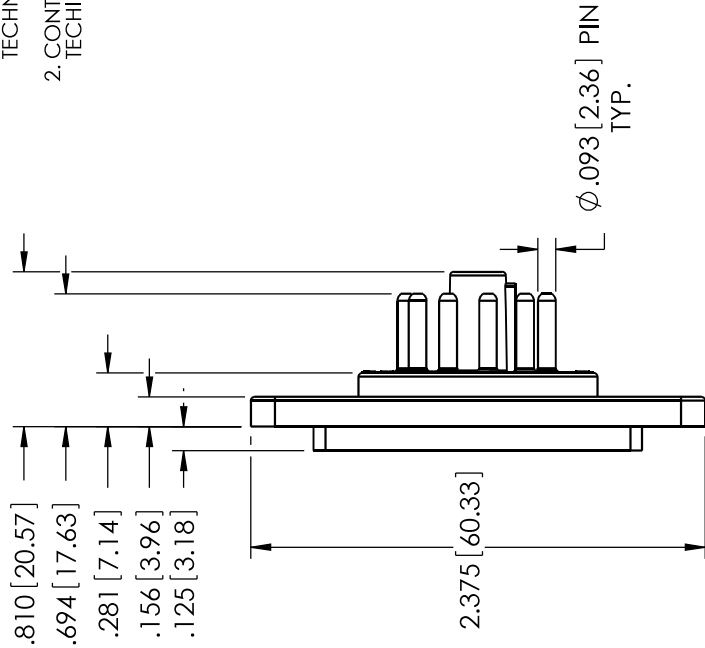
6

1-10-00002 Part Number Table

Part Number	Inserted Pin	Removed Pin
HB11	1 THRU 11	NONE
HB11-2R	1, 3, 4, 5, 6, 7, 8, 9, 10, 11	2

NOTES

- CONNECTOR BODY PER CUSTOM CONNECTOR TECHNICAL SPECIFICATION 9-12-00004.
- CONTACT PLATING PER CUSTOM CONNECTOR TECHNICAL SPECIFICATION 9-12-00017.



Custom Connector Corporation

1738 East 30th St.
Cleveland, Ohio
44114
ph: (216) 241-1679
fax: (216) 241-5529
www.customconnector.com

CONFIDENTIALITY NOTICE

THIS PRINT IS CONFIDENTIAL AND MUST NOT BE COPIED OR ITS CONTENTS REVEALED UNLESS AUTHORIZED BY CUSTOM CONNECTOR CORPORATION.

TOLERANCES

DO NOT SCALE
ALL DIMENSIONS
REFERENCE

INITIALS

DRAWN BY: SB

DATE

9/28/2009

PHYSICAL PROPERTIES

MASS: 0.049_lbs.

SALES DRAWING #:

S-1-10-00002

PRODUCT ID:

HB11

DESCRIPTION:

11 Pin Octal Male Header

REV:

B

SIZE:

A

SCALE:

1:1

SHEET:

1 of 1

1

2

3

4

5

6

1

2

3

4

5

6

1

2

3

4

5

6