

1

2

3

4

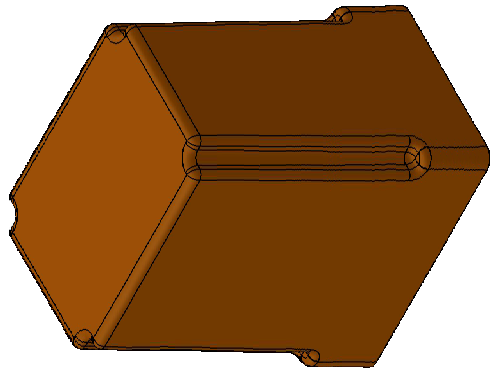
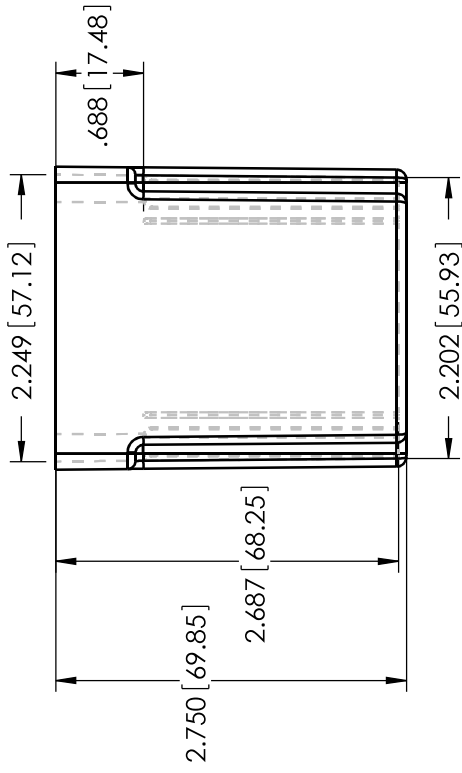
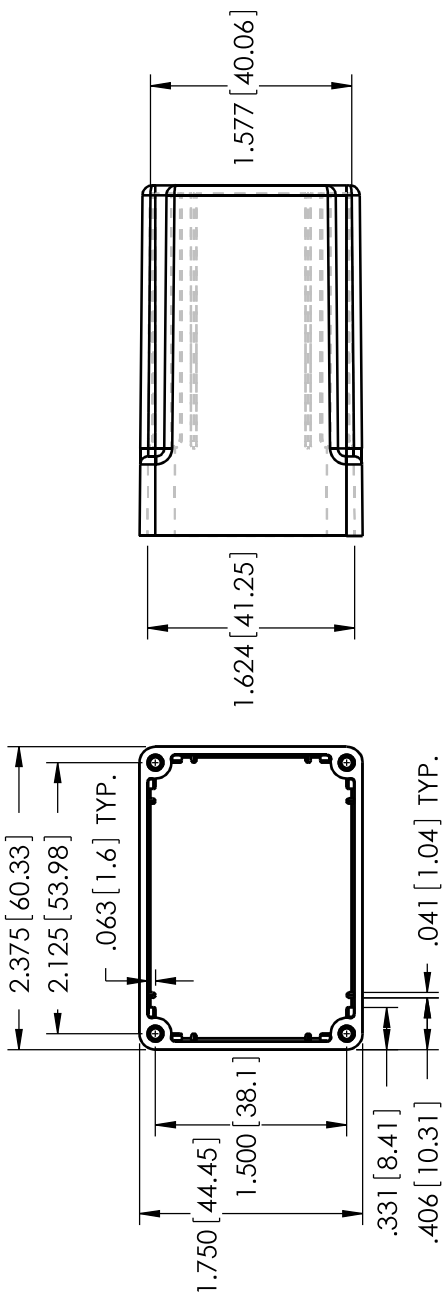
5


6

4-23-00007 Part Number Table	
Part Number	Color
DCOP	Orange
DCWP	White
DCUP	Blue
DCYP	Yellow
DCAP	Gray
DCBP	Black
DCGP	Green
DCRP	Red
DCCP	Clear (Blue Edge)

**NOTES**

- ENCLOSURE BODY PER CUSTOM CONNECTOR TECHNICAL SPECIFICATION 9-12-00006.
- \* INDICATES CRITICAL DIMENSIONS.



 <b>Custom Connector Corporation</b> 1821 East 40th St. Cleveland, Ohio 44103 ph: (216) 241-1679 fax: (216) 241-5529 <a href="http://www.customconnector.com">www.customconnector.com</a>	<b>CONFIDENTIALITY NOTICE</b> THIS PRINT IS CONFIDENTIAL AND MUST NOT BE COPIED OR ITS CONTENTS REVEALED UNLESS AUTHORIZED BY CUSTOM CONNECTOR CORPORATION.	<b>TOLERANCES</b> <b>DO NOT SCALE</b> <b>ALL DIMENSIONS REFERENCE</b>	<b>INITIALS</b> DRAWN BY: SB APPVD BY: SB COMMENTS:	<b>DATE</b> 8/31/2010	<b>PHYSICAL PROPERTIES</b> MASS: 0.070_lbs. VOL: 1.627_cu.in.	SALES DRAWING #: <b>S-4-23-00007</b> PRODUCT ID: Enclosures DESCRIPTION: DC Series Cases SIZE: <b>A</b> SCALE: <b>2:3</b> SHEET: <b>1 of 1</b>
	REV: <b>C</b>					

1

2

3

4

5

6