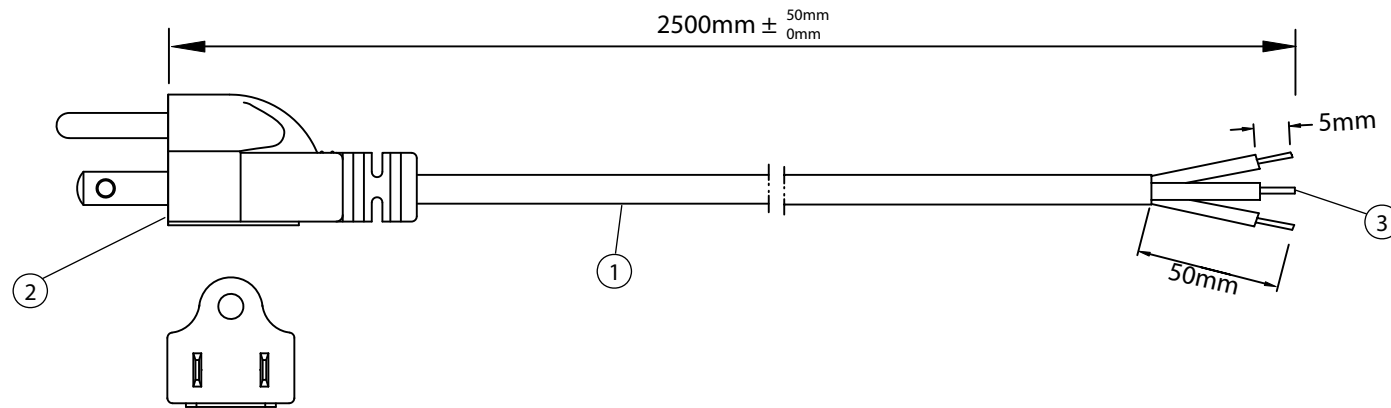


THESE DRAWINGS ARE THE PROPERTY OF QUALTEK ELECTRONICS AND NOT TO BE REPRODUCED FOR OR COMMUNICATED TO A THIRD PARTY WITHOUT THE EXPRESS WRITTEN PERMISSION OF AN OFFICER OF QUALTEK ELECTRONICS.

REVISION			
REV.	DESCRIPTION	DATE	APPROVED



**CONTROLLED**

NOTES:

1. CORDAGE: VCTF, 3 x 1.25mm<sup>2</sup>, UNSHIELDED, NA COLOR CODE, TEMP. RATING: 60°C, RATING 125V 12A, JACKET COLOR: BLACK
2. PLUG: JIS 8303
3. OTHER END: ROJ 50mm, STRIP 5mm
4. APPROVALS: PSE
5. ROHS COMPLIANT

Dim range (mm)		Tolerance +/- (mm)		<b>Qualtek Electronics Corp.</b> PPC DIVISION		
0-1		0.15		Part Number:	397005-01	RoHS Compliant
1-6		0.20		Description: POWER CORD		
6-18		0.30		UNIT: mm		
18-50		0.50		Drawn / Date	Checked / Date	Approved / Date
50-120		0.70		R.Nuti 10-17-11	10-17-11	LY / 10-17-11
120-250		0.90				
250-500		1.20				