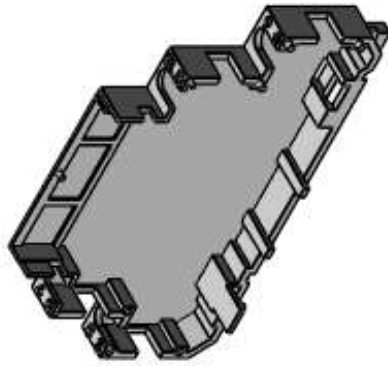
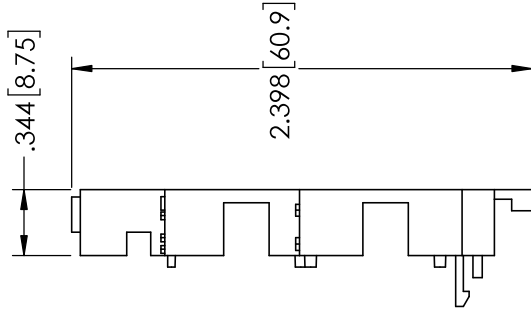
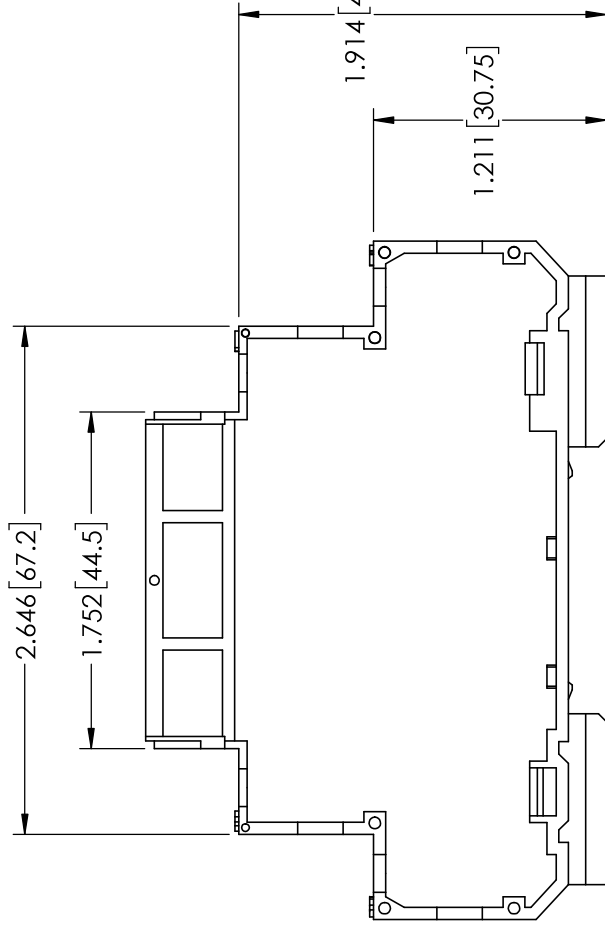
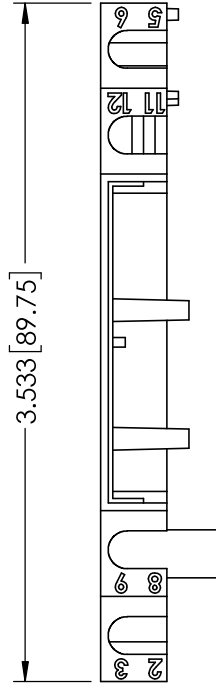



6 5 4 3 2 1

4-22-00074 Part Number Table	
Part Number	Description
DMSW-17.5-3	17.5mm Din Rail Mountable Side
	Color
	White

NOTES

1. DMSW-17.5-4 SIDE MATES WITH DMSW-17.5-3 SIDE TO COMPLETE ASSEMBLY.
2. * INDICATES CRITICAL DIMENSION.



	1821 East 40th St. Cleveland, Ohio 44103 ph: (216) 241-1679 fax: (216) 241-5529 www.customconnector.com	CONFIDENTIALITY NOTICE THIS PRINT IS CONFIDENTIAL AND MUST NOT BE COPIED OR ITS CONTENTS REVEALED UNLESS AUTHORIZED BY CUSTOM CONNECTOR CORPORATION.	TOLERANCES DO NOT SCALE ALL DIMENSIONS REFERENCE	DRAWN BY: SB APPVD BY: SB COMMENTS:	INITIALS SB	DATE 8/22/2019	PHYSICAL PROPERTIES MASS: 8.99_lbs. VOL: 7552.61_cu_in.	SALES DRAWING #: S-4-22-00074 PRODUCT ID: Enclosures DESCRIPTION: 17.5mm Din Rail Mountable Side SIZE: A SCALE: 1:1 SHEET: 1 of 1
---	---	--	---	---	-----------------------	--------------------------	--	--

6 5 4 3 2 1