

Wallplates  
 Weatherproof Covers for Duplex, GFCI,  
 Surge Receptacles and Style Line® Devices

# HUBBELL

**Features**

- Weatherproof for outdoor use
- Rated for use in damp and wet locations with cover closed
- Vertical 4 screw box mount
- Marine Drip Proof

**Ordering Information**

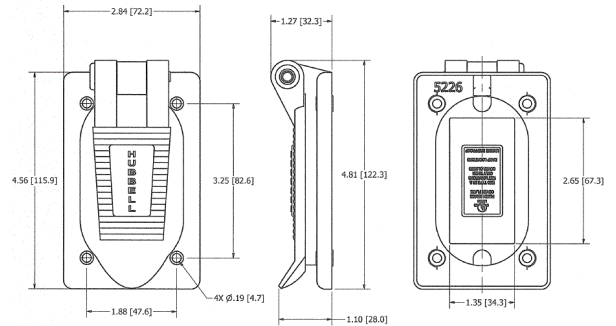
Description	Catalog Number	UPC
Vertical GFCI cover plate for FS/FD Box Mounting	HBL5226	783585812502

**Listings**

UL Listed  
 CSA Certified

**Specifications**

Material	Thermoplastic
Spring	Stainless Steel
Gasket	Neoprene



**Online Resources**

Customer Use Drawing  
 eCatalog  
 Installation Instructions

Dimensions in Inches (mm)

Hubbell Wiring Device-Kellems • Hubbell Incorporated (Delaware) • 40 Waterview Drive • Shelton, CT 06484

Phone (800) 288-6000 • Fax (800) 255-1031 • Specifications subject to change without notice.

