

5352112-2 ✓ ACTIVE

Z-PACK | Z-PACK 2mm HM

TE Internal #: 5352112-2

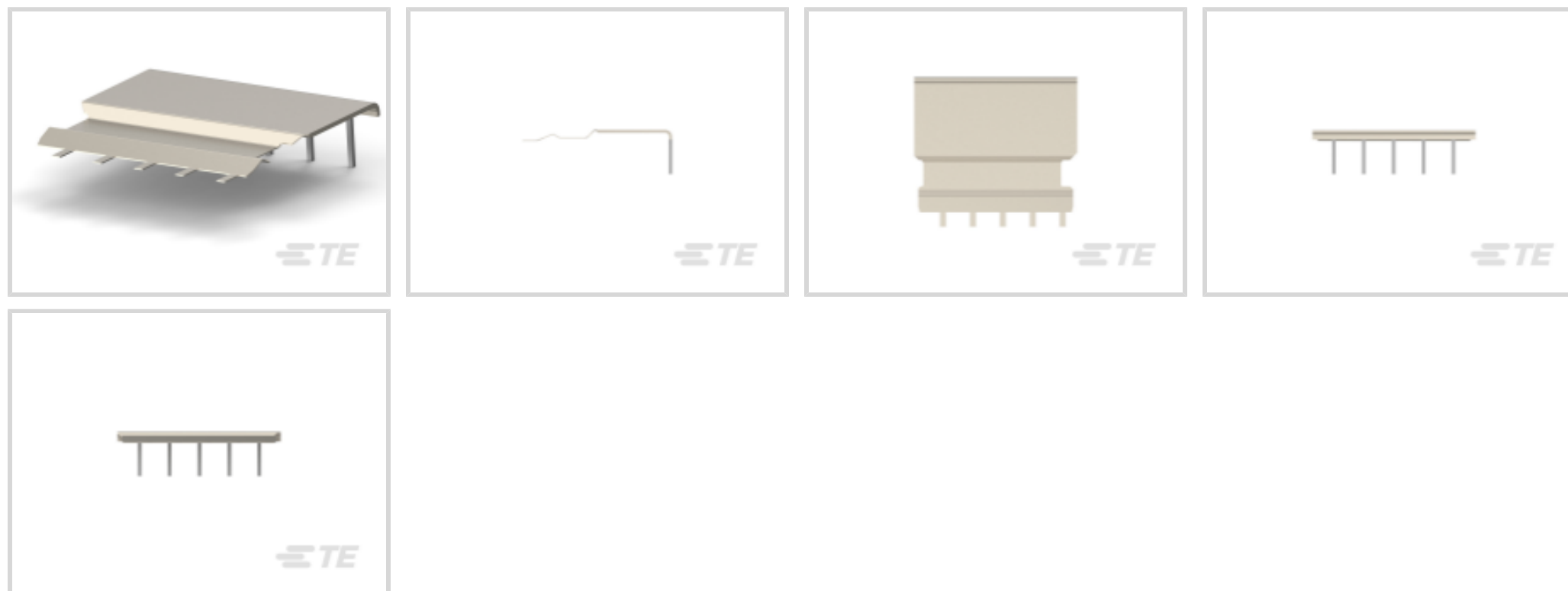
Z-PACK 2mm HM, PCB Ferrules & Shields, Shield, Lower Shield

Location, Ground Return Shielding

[View on TE.com >](#)



Connectors > PCB Connectors > PCB Connector Accessories > Protection & Strain Relief > Ferrules & Shields



Connector Shielding Accessory Type: **Shield**

Shield Location: **Lower**

Ground Component Type: **Ground Return Shielding**

## Features

### Product Type Features

Connector Shielding Accessory Type	Shield
Ground Component Type	Ground Return Shielding

### Body Features

Shield Location	Lower
-----------------	-------

### Contact Features

Contact Mating Area Plating Material	Tin
Contact Base Material	Phosphor Bronze

### Packaging Features

Packaging Quantity	400
--------------------	-----

### Other

Comment	Shields are supplied and fitted separately as required.
---------	---

## Product Compliance

[For compliance documentation, visit the product page on TE.com>](#)

EU RoHS Directive 2011/65/EU	Compliant
------------------------------	-----------

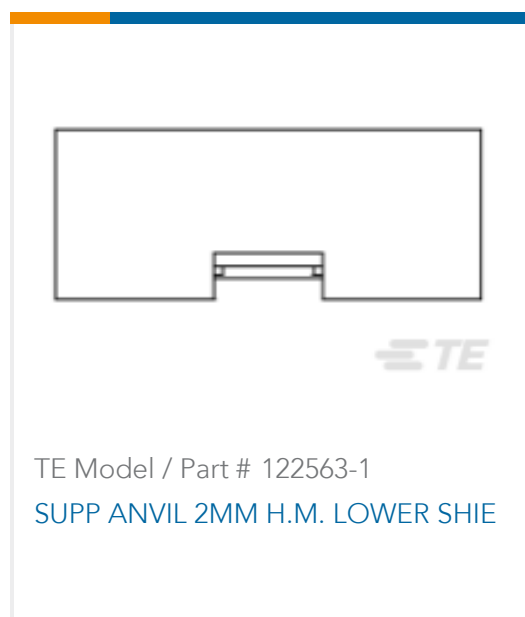


EU ELV Directive 2000/53/EC	Compliant
China RoHS 2 Directive MIIT Order No 32, 2016	No Restricted Materials Above Threshold
EU REACH Regulation (EC) No. 1907/2006	Current ECHA Candidate List: JUN 2020 (209) Candidate List Declared Against: JUL 2019 (201) Does not contain REACH SVHC
Halogen Content	Low Halogen - Br, Cl, F, I < 900 ppm per homogenous material. Also BFR/CFR/PVC Free
Solder Process Capability	Not applicable for solder process capability

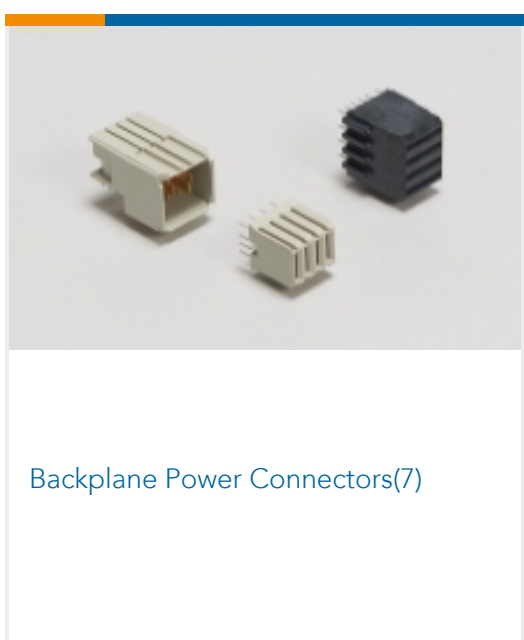
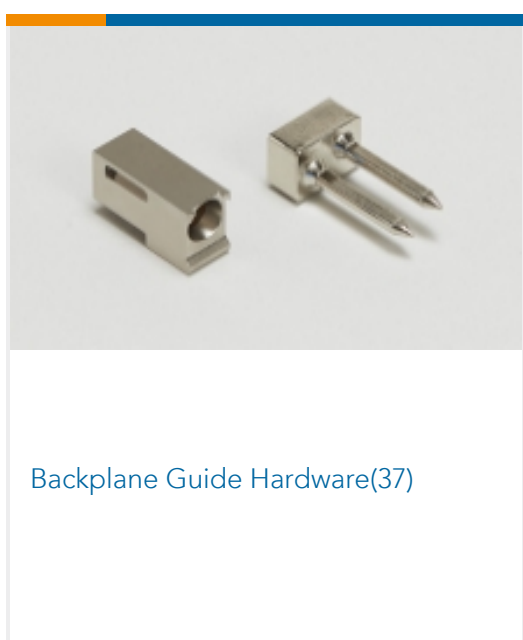
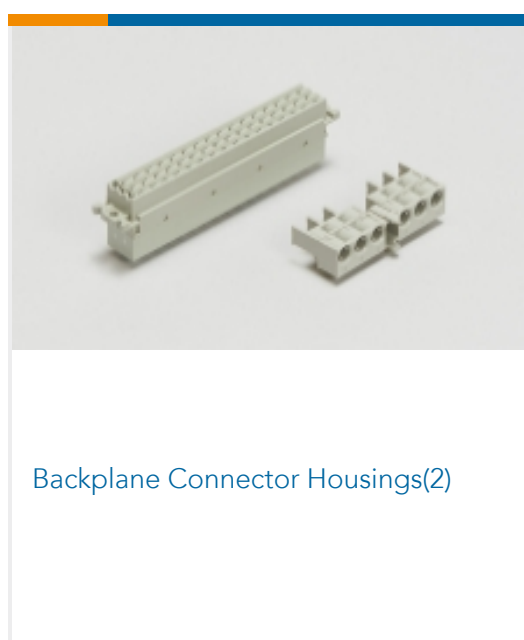
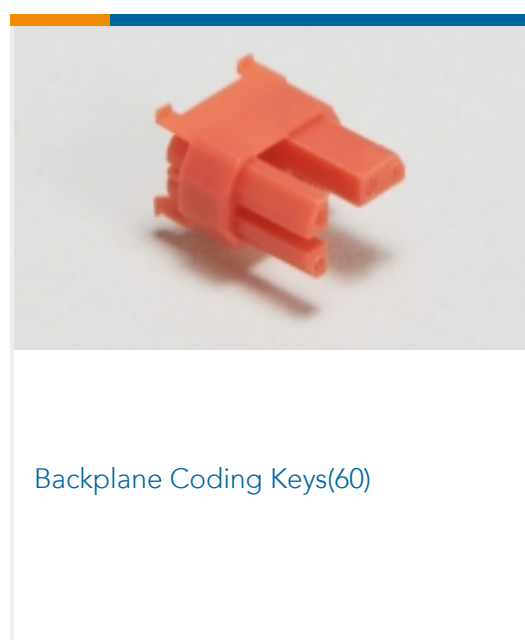
Product Compliance Disclaimer

This information is provided based on reasonable inquiry of our suppliers and represents our current actual knowledge based on the information they provided. This information is subject to change. The part numbers that TE has identified as EU RoHS compliant have a maximum concentration of 0.1% by weight in homogenous materials for lead, hexavalent chromium, mercury, PBB, PBDE, DBP, BBP, DEHP, DIBP, and 0.01% for cadmium, or qualify for an exemption to these limits as defined in the Annexes of Directive 2011/65/EU (RoHS2). Finished electrical and electronic equipment products will be CE marked as required by Directive 2011/65/EU. Components may not be CE marked. Additionally, the part numbers that TE has identified as EU ELV compliant have a maximum concentration of 0.1% by weight in homogenous materials for lead, hexavalent chromium, and mercury, and 0.01% for cadmium, or qualify for an exemption to these limits as defined in the Annexes of Directive 2000/53/EC (ELV). Regarding the REACH Regulation, the information TE provides on SVHC in articles for this part number is based on the latest European Chemicals Agency (ECHA) 'Guidance on requirements for substances in articles' posted at this URL: <https://echa.europa.eu/guidance-documents/guidance-on-reach>

## Compatible Parts

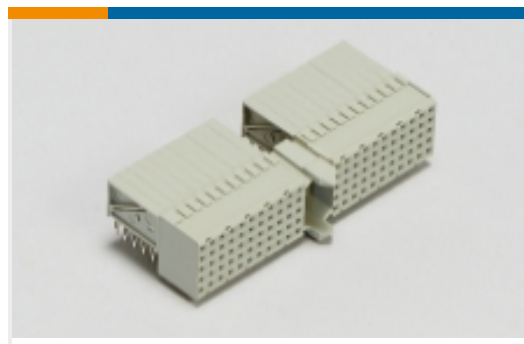


## Also in the Series | Z-PACK 2mm HM

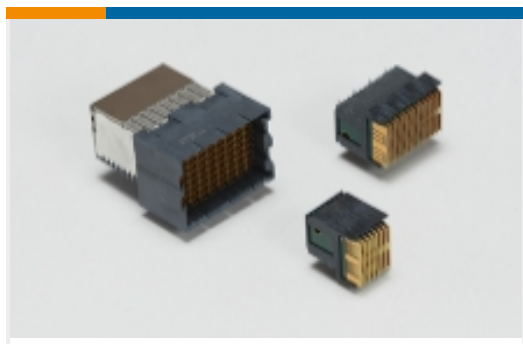




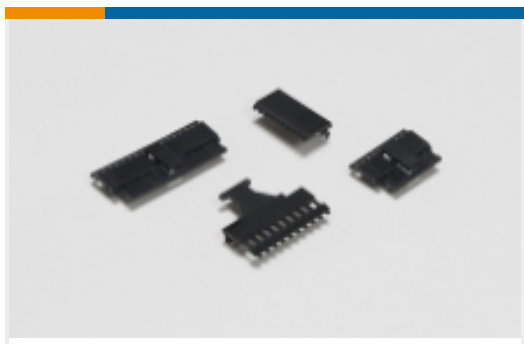
Board-to-Board Connector Contacts(5)



Hard Metric Backplane Connectors (259)



High Speed Backplane Connectors(15)



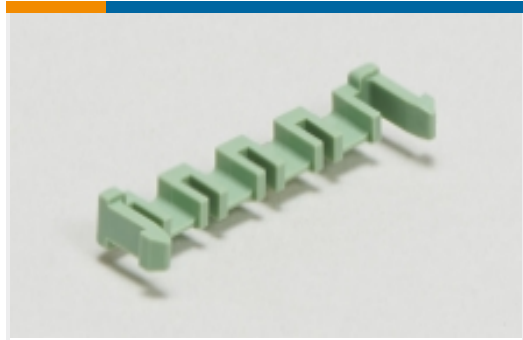
PCB Connector Covers(4)



PCB Connector Shrouds(42)



PCB Ferrules & Shields(19)



PCB Latches, Locks & Retainers(1)

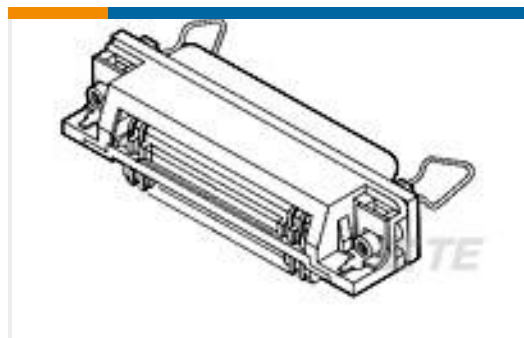


Rectangular Power Connectors(87)

### Customers Also Bought



TE Model / Part #5338110-2  
Z-PACK SHLD.LOWER B



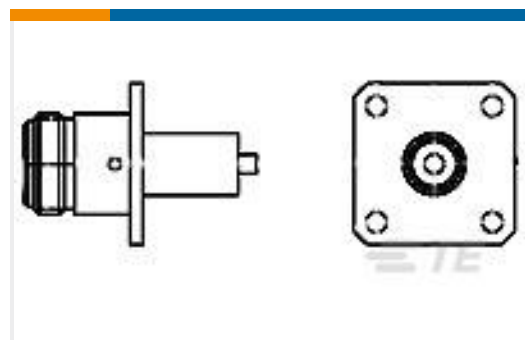
TE Model / Part #5554923-1  
RCPT ASSY, R/TANG SHLD, 24 POS



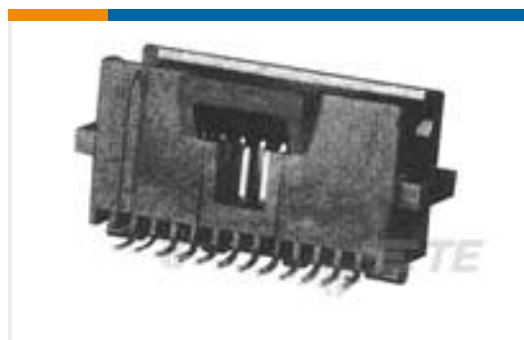
TE Model / Part #5-5330808-3  
SOCKET,MIN-SPR W/KO SN-AU S-1



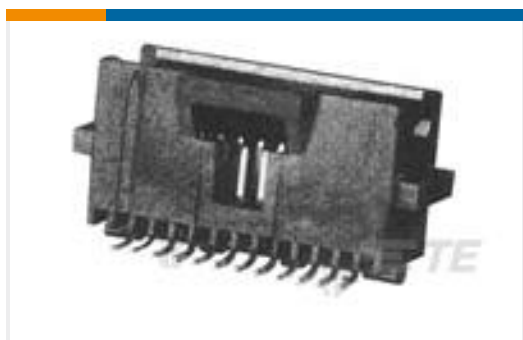
TE Model / Part #338110-2  
Z-PACK SHLD.LOWER B



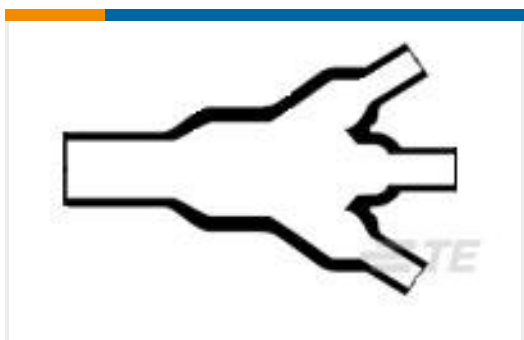
TE Model / Part #1057289-1  
3052 1201 02



TE Model / Part #5-147377-8  
100 SYS50 SMT HDRDR SHD SN



TE Model / Part #5-147377-6  
60 SYS50 SMT HDR DR SHD SN



TE Model / Part #823509-000  
462A023-3-00-0



TE Model / Part #151550-000  
B-020-42-05



TE Model / Part #90753-1  
SEATING TOOL ASSY H.M. 154 PIN

### Documents



### Product Drawings

#### Z-PACK SHLD.LOWER C

English

---

### CAD Files

#### 3D PDF

3D

#### Customer View Model

[ENG\\_CVM\\_CVM\\_5352112-2\\_B.2d\\_dxf.zip](#)

English

#### Customer View Model

[ENG\\_CVM\\_CVM\\_5352112-2\\_B.3d\\_igs.zip](#)

English

#### Customer View Model

[ENG\\_CVM\\_CVM\\_5352112-2\\_B.3d\\_stp.zip](#)

English

By downloading the CAD file I accept and agree to the [Terms and Conditions](#) of use.

---

### Product Specifications

#### Application Specification

English

---

### Product Environmental Compliance

#### TE Material Declaration

English