

Wallplates
Weatherproof Covers for Receptacles

HUBBELL

For FS/FD Box Mounting

Features

- Corrosion resistant, yellow thermoplastic

Ordering Information

Description	Color	Catalog Number	UPC
For use with 50A Twist-Lock® single receptacles, suitable for wet and damp locations with	Yellow	HBL77CM74WO	783585809472

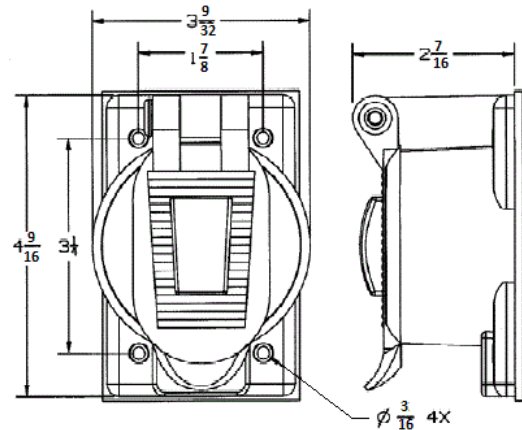


Listings

UL Listed - Canadian and U.S.

Specifications

Material	Thermoplastic
Gasket	Neoprene
Spring	Stainless steel



Online Resources

Customer Use Drawing
eCatalog
Installation Instructions

Dimensions in Inches (mm)

Hubbell Wiring Device-Kellems • Hubbell Incorporated (Delaware) • 40 Waterview Drive • Shelton, CT 06484

Phone (800) 288-6000 • Fax (800) 255-1031 • Specifications subject to change without notice.

