

## Straight Blade Devices

15A, 125V, 2 Pole, 3 Wire Grounding

# HBL<sup>®</sup> Extra Heavy Duty MAX Compact Duplex Receptacle

# HUBBELL

## Features

- Slender/compact design
- Brass Mounting Strap
- Triple wipe contacts

## Ordering Information

Description	Device Color	UPC Number	Catalog Number
Back and side wired	Ivory	783585434902	HBL52521

## Listings

UL Listed to UL498 File No. E2186  
Certified to CSA 22.2, No. 42 File 285  
Fed. Spec. W-C596G  
NEMA<sup>®</sup> WD-6 Compliant

## Specifications

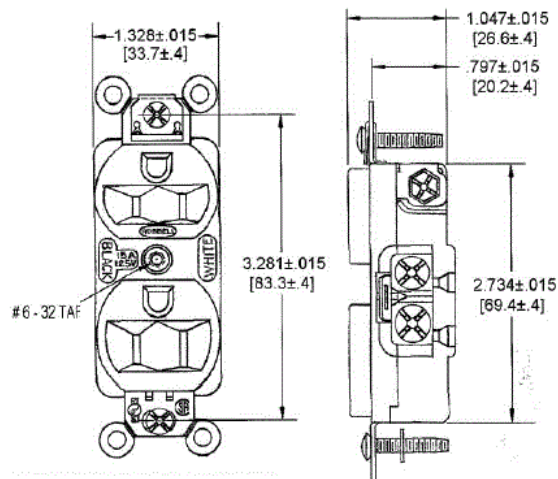
Face	Nylon
Base	RTP
Contacts	Brass
Wire Clamp	Plated brass
Terminal Screws	Brass
Mounting Strap	.031" (.8) Brass
Automatic Self-grounding Clip	Stainless steel
Mounting Screws	Steel-Zinc Plated

## Performance

<b>Electrical</b>	
Current Interrupting	Certified for current interrupting at full rated current
Dielectric Voltage	Withstands 2,000V minimum
<b>Mechanical</b>	
Product Identification	Ratings are a permanent part of the device
Terminal Accommodation	#14-#10 AWG copper stranded or solid conductor only
Terminal Identification	Terminals identified in accordance with UL 498 and CSA
<b>Environmental</b>	
Flammability	UL 94 V-0
Operating Temperatures	Maximum continuous 75°C; minimum -40°C (w/o impact)



15A 125V AC  
NEMA 5-15R  
UL CSA  
0.5 HP



## Complementary Products

Wallplate or Weatherproof Cover

Duplex Opening

## Online Resources

Customer Sales Drawings  
eCatalog  
Installation Instructions

Dimensions in Inches (mm)

Hubbell Wiring Device-Kellems • Hubbell Incorporated (Delaware) • 40 Waterview Drive • Shelton, CT 06484

Phone (800) 288-6000 • Fax (800) 255-1031 • Specifications subject to change without notice.

