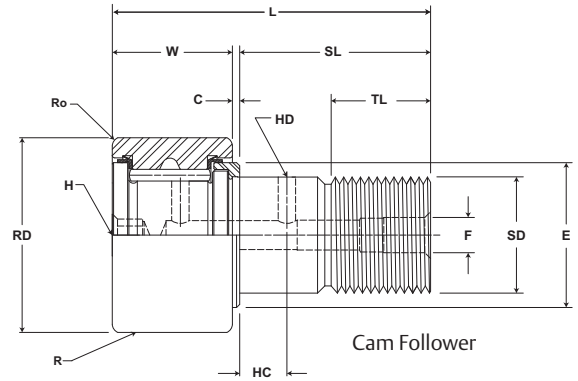


MCGILL® Inch Cam Follower Bearings



- Basic Construction Type:** Stud Type Crowned / Cylindrical Outside Diameter
- Rolling Elements:** Full Complement Needle Roller
- Bearing Material:** Bearing Quality Steel
- Seal Type:** LUBRI-DISC®
- Lubrication:** Lithium Soap Grease NLGI #2
- System Configuration:** Concentric / Eccentric / Heavy Stud
- Mounting Feature:** Slot / Hex Hole



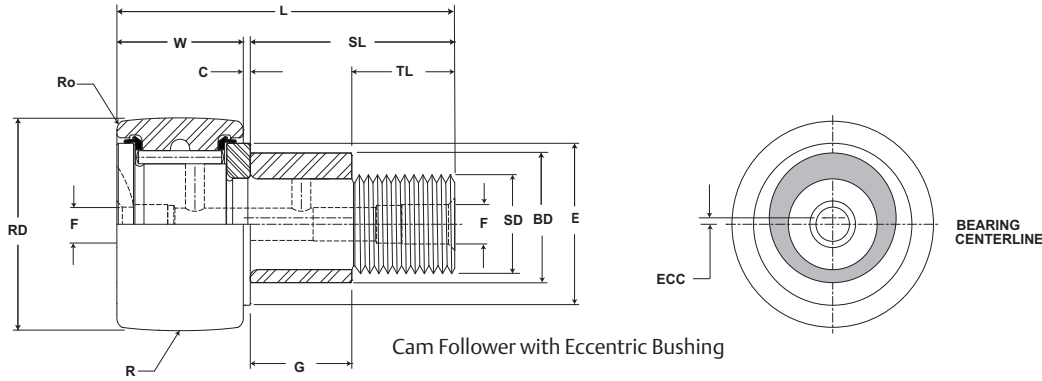
CF, CFE, CFH

Part No.		RD		W		SD		SL	C	TL	L	R	ECC	G	BD	Track Roller Dynamic Rating	Track Roller Static Rating	
W/O Seals	With LUBRI-DISC Seals	Roller Diameter		Roller Width		Stud Diameter		Stud Length	Endplate Extension	Min Thread Length	Length Overall	Crown Prefix CCF-XX	Eccentric Base Modifier CFE-XX					
		inch mm		inch mm		inch mm		inch mm		inch mm		inch mm		inch mm				
		Nom.	Tol.	Nom.	Tol.	Nom.	Tol.	(Ref)	(Ref)	(Ref)	(Ref)	Radius (Ref)	(Ref)	+0/-0.010	±.001			lb/N
CF 2 1/2	CF 2 1/2 S	2.500 63.50	+0/-0.001 +0/-0.03	1.500 38.10	+0 / -0.005 +0 / -0.13	1.000 25.40	+0.01/-0 +0.03/-0	2.25 57.2	.031 .8	1.125 28.57	3.78 96.0	Cylindrical	N/A	N/A	N/A	11,720 52,131	16,450 73,170	
CF 2 1/2 B	CF 2 1/2 SB											30						
CCF 2 1/2	CCF 2 1/2 S											762						
CCF 2 1/2 B	CCF 2 1/2 SB																	
CFE 2 1/2	CFE 2 1/2 S	2.500 63.50	+0/-0.001 +0/-0.03	1.500 38.10	+0 / -0.005 +0 / -0.13	1.000 25.40	+0.01/-0 +0.03/-0	2.25 57.2	.031 .8	1.125 28.57	3.78 96.0	Cylindrical	.030	1.125	1.375	11,720 52,131	16,450 73,170	
CFE 2 1/2 B	CFE 2 1/2 SB											30						
CCFE 2 1/2	CCFE 2 1/2 S											762						
CCFE 2 1/2 B	CCFE 2 1/2 SB																	
CFH 2 1/2	CFH 2 1/2 S	2.500 63.50	+0/-0.001 +0/-0.03	1.500 38.10	+0 / -0.005 +0 / -0.13	1.250 31.75	+0.01/-0 +0.03/-0	2.25 57.2	.031 .8	1.125 28.57	3.78 96.0	Cylindrical	N/A	N/A	N/A	11,720 52,131	32,900 146,339	
CFH 2 1/2 B	CFH 2 1/2 SB											30						
CCFH 2 1/2	CCFH 2 1/2 S											762						
CCFH 2 1/2 B	CCFH 2 1/2 SB																	
CF 2 3/4	CF 2 3/4 S	2.750 69.85	+0/-0.001 +0/-0.03	1.500 38.10	+0 / -0.005 +0 / -0.13	1.000 25.40	+0.01/-0 +0.03/-0	2.25 57.2	.031 .8	1.125 28.57	3.78 96.0	Cylindrical	N/A	N/A	N/A	11,720 52,131	16,450 73,170	
CF 2 3/4 B	CF 2 3/4 SB											30						
CCF 2 3/4	CCF 2 3/4 S											762						
CCF 2 3/4 B	CCF 2 3/4 SB																	
CFE 2 3/4	CFE 2 3/4 S	2.750 69.85	+0/-0.001 +0/-0.03	1.500 38.10	+0 / -0.005 +0 / -0.13	1.000 25.40	+0.01/-0 +0.03/-0	2.25 57.2	.031 .8	1.125 28.57	3.78 96.0	Cylindrical	.030	1.125	1.375	11,720 52,131	16,450 73,170	
CFE 2 3/4 B	CFE 2 3/4 SB											30						
CCFE 2 3/4	CCFE 2 3/4 S											762						
CCFE 2 3/4 B	CCFE 2 3/4 SB																	
CFH 2 3/4	CFH 2 3/4 S	2.750 69.85	+0/-0.001 +0/-0.03	1.500 38.10	+0 / -0.005 +0 / -0.13	1.250 31.75	+0.01/-0 +0.03/-0	2.25 57.2	.031 .8	1.125 28.57	3.78 96.0	Cylindrical	N/A	N/A	N/A	11,720 52,131	32,900 146,339	
CFH 2 3/4 B	CFH 2 3/4 SB											30						
CCFH 2 3/4	CCFH 2 3/4 S											762						
CCFH 2 3/4 B	CCFH 2 3/4 SB																	

Metric dimensions for reference only.
Hex wrench size for "Broached" version is located in the wrench size chart on page B-156.

Not all parts are available from stock. Please contact customer service for availability (800) 626-2120.
For more information on bearing capabilities outside of our standard offering, please contact Application Engineering (800) 626-2093.

Inch Cam Follower Bearings **MCGILL**



CF, CFE, CFH

Part No.		HC	HD	F	E	Ro	HBD		Thread Type	Clamping Torque	Limiting Speed (Grease)	WT								
W/O Seals	With LUBRI-DISC Seals	Hole Center	Radial Hole Diameter	Axial Hole Dia or Fitting	Min Boss Diameter	Outer Corner	Housing Bore Diameter													
		(Ref)	(Ref)	(Ref)	(Ref)	(Ref)	Nom.	Tol.												
CF 2 1/2	CF 2 1/2 S	.5625 14	.125 3	.1875 5	1.688 42.86	.094 2.38	1.0003 25.408	+.0002/- .0003 +.0005/- .0008	1-14	2,250 254	1,100	2.50 1.13								
CF 2 1/2 B	CF 2 1/2 SB					N/A														
CCF 2 1/2	CCF 2 1/2 S					.5625 14	.125 3	.1875 5					1.688 42.86	.094 2.38	1.378 35.00	+.001/- .001 +.025/- .025				
CFE 2 1/2	CFE 2 1/2 S													N/A						
CFE 2 1/2 B	CFE 2 1/2 SB	.5625 14	.125 3	.1875 5	1.688 42.86				.094 2.38	1.2503 31.758	+.0002/- .0003 +.0005/- .0008	1 1/4-12		3,450 390	1,100	2.75 1.25				
CCF 2 1/2	CCF 2 1/2 S								N/A											
CCFH 2 1/2	CCFH 2 1/2 S					.5625 14	.125 3	.1875 5	1.688 42.86	.094 2.38	1.0003 25.408		+.0002/- .0003 +.0005/- .0008				1-14	2,250 254	1,050	2.93 1.33
CCFH 2 1/2 B	CCFH 2 1/2 SB									N/A										
CFE 2 3/4	CFE 2 3/4 S	.5625 14	.125 3	.1875 5	1.688 42.86					.094 2.38	1.378 35.00	+.001/- .001 +.025/- .025								
CFE 2 3/4 B	CFE 2 3/4 SB									N/A										
CCFE 2 3/4	CCFE 2 3/4 S					.5625 14	.125 3	.1875 5	1.688 42.86	.094 2.38	1.2503 31.758	+.0002/- .0003 +.0005/- .0008	1 1/4-12	3,450 390	1,050	3.19 1.47				
CCFE 2 3/4 B	CCFE 2 3/4 SB									N/A										

For positive clamping, use housing thickness equal to G dimension $\pm .010$ ".
Clamping torque is based on dry threads. If threads are lubricated, use half of value shown.
Hex wrench size for "Broached" version is located in the wrench size chart on page B-156.