

Switched Disconnects and Enclosures

Circuit-Lock[®] NEMA 1 Enclosures with Switch, 30A 2-Pole

HUBBELL

Features

- All aluminum cover and base
- Base is pre-drilled for rear surface mounting
- Top, bottom or back wire entry points
- Switch can be locked in the OFF position as a method of compliance with OSHA lockout/tagout

Ordering Information

Description	UPC Number	Catalog Number
Ideal for use in industrial environments, i.e. conveyer systems, industrial fans, etc., Aluminum	783585202600	HBL1372D



Listings

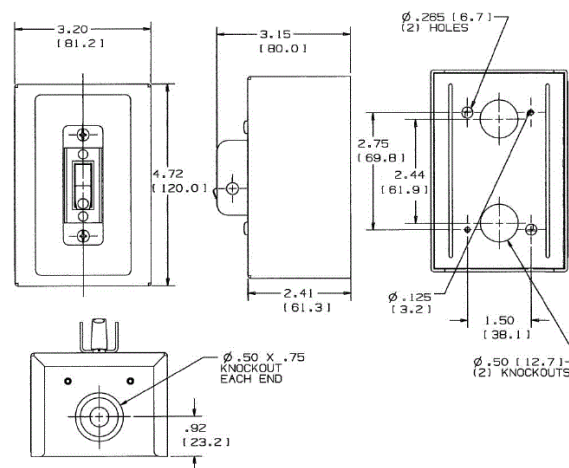
UL 508
CSA-C22.2 No.14

Specifications

Enclosure Material	Aluminum
--------------------	----------

Performance

Electrical	
Dielectric Voltage	Min. 2,200V AC minimum for 1 minute
Electrical Life	Min. 6,000 Cycles at rated switch load
HP Rating	2 HP 120V AC 1 Phase, 5 HP 240V AC 3 Phase, 10 HP 480V AC 3 Phase, 15 HP 600V AC 3 Phase
Max. Working Voltage	600V AC RMS
Mechanical	
Mechanical Life	10,000 minimum cycles
Terminal Accommodations	#10 AWG Max.
Wire Type	Solid and stranded copper wire only
Environmental	
Flammability	UL94HB/VO
Operating Temperature	Max. Continuous: 75°C; Min. Continuous: -40°C without impact



Online Resources

Customer Use Drawing
eCatalog
Installation Instructions

Dimensions in Inches (mm)

Hubbell Wiring Device-Kellems • Hubbell Incorporated (Delaware) • 40 Waterview Drive • Shelton, CT 06484

Phone (800) 288-6000 • Fax (800) 255-1031 • Specifications subject to change without notice.

