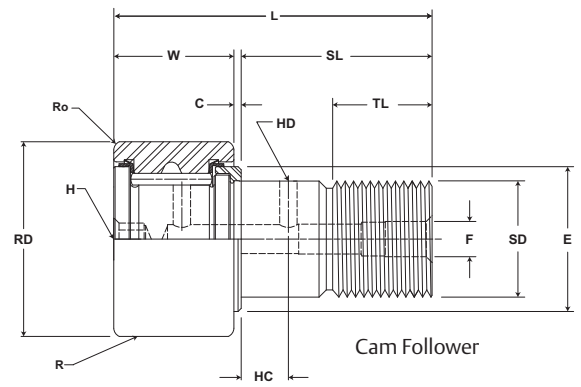


MCGILL® Inch Cam Follower Bearings



- Basic Construction Type:** Stud Type Crowned / Cylindrical Outside Diameter
- Rolling Elements:** Full Complement Needle Roller
- Bearing Material:** Bearing Quality Steel
- Seal Type:** LUBRI-DISC®
- Lubrication:** Lithium Soap Grease NLGI #2
- System Configuration:** Concentric / Eccentric / Heavy Stud
- Mounting Feature:** Slot / Hex Hole



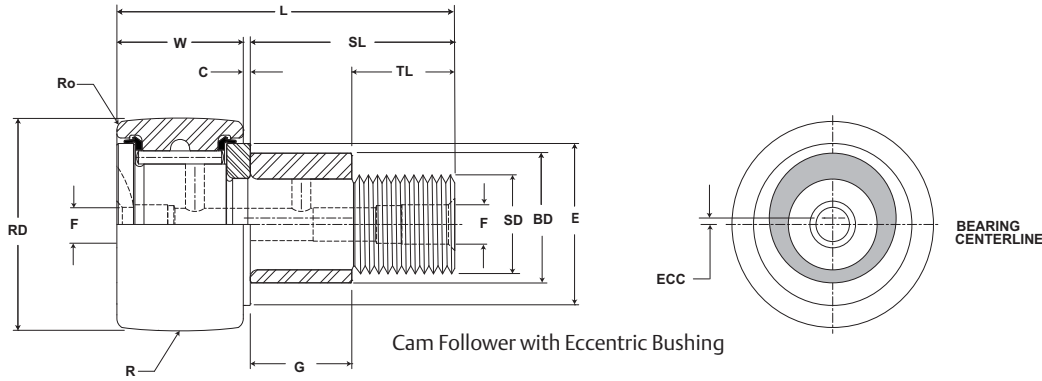
CF, CFE, CFH

Part No.		RD		W		SD		SL	C	TL	L	R	ECC	G	BD	Track Roller Dynamic Rating	Track Roller Static Rating
W/O Seals	With LUBRI-DISC Seals	Roller Diameter		Roller Width		Stud Diameter		Stud Length	Endplate Extension	Min Thread Length	Length Overall	Crown Prefix CCF-XX	Eccentric Base Modifier CFE-XX				
		inch mm		inch mm		inch mm		inch mm	inch mm	inch mm	inch mm	inch mm	inch mm				
		Nom.	Tol.	Nom.	Tol.	Nom.	Tol.	(Ref)	(Ref)	(Ref)	(Ref)	Radius (Ref)	(Ref)	+0/-0.010	±.001		
CF 1 1/4	CF 1 1/4 S	1.250 31.75	+0/-0.001 +0/-0.03	.750 19.05	+0 / -0.005 +0 / -0.13	.500 12.70	+0.01/-0 +0.03/-0	1.25 31.8	.031 .8	.63 15.9	2.03 51.6	Cylindrical	N/A	N/A	N/A	3,930 17,481	4,250 18,904
CF 1 1/4 B	CF 1 1/4 SB											14					
CCF 1 1/4	CCF 1 1/4 S											356					
CCF 1 1/4 B	CCF 1 1/4 SB																
CFE 1 1/4	CFE 1 1/4 S	1.250 31.75	+0/-0.001 +0/-0.03	.750 19.05	+0 / -0.005 +0 / -0.13	.500 12.70	+0.01/-0 +0.03/-0	1.25 31.8	.031 .8	.63 15.9	2.03 51.6	Cylindrical	.030 .76	.625 15.88	.687 17.45	3,930 17,481	4,250 18,904
CFE 1 1/4 B	CFE 1 1/4 SB											14					
CCFE 1 1/4	CCFE 1 1/4 S											356					
CCFE 1 1/4 B	CCFE 1 1/4 SB																
CFH 1 1/4	CFH 1 1/4 S	1.250 31.75	+0/-0.001 +0/-0.03	.750 19.05	+0 / -0.005 +0 / -0.13	.750 19.05	+0.01/-0 +0.03/-0	1.25 31.8	.031 .8	.63 15.9	2.03 51.6	Cylindrical	N/A	N/A	N/A	3,930 17,481	8,500 37,808
CFH 1 1/4 B	CFH 1 1/4 SB											14					
CCFH 1 1/4	CCFH 1 1/4 S											356					
CCFH 1 1/4 B	CCFH 1 1/4 SB																
CF 1 3/8	CF 1 3/8 S	1.375 34.93	+0/-0.001 +0/-0.03	.750 19.05	+0 / -0.005 +0 / -0.13	.500 12.70	+0.01/-0 +0.03/-0	1.25 31.8	.031 .8	.63 15.9	2.03 51.6	Cylindrical	N/A	N/A	N/A	3,930 17,481	4,250 18,904
CF 1 3/8 B	CF 1 3/8 SB											14					
CCF 1 3/8	CCF 1 3/8 S											356					
CCF 1 3/8 B	CCF 1 3/8 SB																
CFE 1 3/8	CFE 1 3/8 S	1.375 34.93	+0/-0.001 +0/-0.03	.750 19.05	+0 / -0.005 +0 / -0.13	.500 12.70	+0.01/-0 +0.03/-0	1.25 31.8	.031 .8	.63 15.9	2.03 51.6	Cylindrical	.030 .76	.625 15.88	.687 17.45	3,930 17,481	4,250 18,904
CFE 1 3/8 B	CFE 1 3/8 SB											14					
CCFE 1 3/8	CCFE 1 3/8 S											356					
CCFE 1 3/8 B	CCFE 1 3/8 SB																
CFH 1 3/8	CFH 1 3/8 S	1.375 34.93	+0/-0.001 +0/-0.03	.750 19.05	+0 / -0.005 +0 / -0.13	.750 19.05	+0.01/-0 +0.03/-0	1.25 31.8	.031 .8	.63 15.9	2.03 51.6	Cylindrical	N/A	N/A	N/A	3,930 17,481	8,500 37,808
CFH 1 3/8 B	CFH 1 3/8 SB											14					
CCFH 1 3/8	CCFH 1 3/8 S											356					
CCFH 1 3/8 B	CCFH 1 3/8 SB																

Metric dimensions for reference only.
Hex wrench size for "Broached" version is located in the wrench size chart on page B-156.

Not all parts are available from stock. Please contact customer service for availability (800) 626-2120.
For more information on bearing capabilities outside of our standard offering, please contact Application Engineering (800) 626-2093.

Inch Cam Follower Bearings **McGILL**



CF, CFE, CFH

Part No.		HC	HD	F	E	Ro	HBD		Thread Type	Clamping Torque	Limiting Speed (Grease)	WT
W/O Seals	With LUBRI-DISC Seals	Hole Center	Radial Hole Diameter	Axial Hole Dia or Fitting	Min Boss Diameter	Outer Corner	Housing Bore Diameter					
		(Ref)	(Ref)	(Ref)	(Ref)	(Ref)	Nom.	Tol.				
CF 1 1/4	CF 1 1/4 S	.3125 8	.0938 2	.1875 5	.984 25.00	.031 .79	.5003 12.708	+.0002/- .0003 +.0005/- .0008	1/2-20	350 40	3,100	.30 .14
CF 1 1/4 B	CF 1 1/4 SB					N/A						
CCF 1 1/4	CCF 1 1/4 S											
CCF 1 1/4 B	CCF 1 1/4 SB											
CFE 1 1/4	CFE 1 1/4 S	.3125 8	.0938 2	.1875 5	.984 25.00	.031 .79	.690 17.52	+.001/- .001 +.025/- .025	3/4-16	1,250 141	3,100	.38 .17
CFE 1 1/4 B	CFE 1 1/4 SB					N/A						
CCFE 1 1/4	CCFE 1 1/4 S											
CCFE 1 1/4 B	CCFE 1 1/4 SB											
CFH 1 1/4	CFH 1 1/4 S	.3125 8	.0938 2	.1875 5	.984 25.00	.031 .79	.7503 19.058	+.0002/- .0003 +.0005/- .0008	3/4-16	1,250 141	2,800	.44 .19
CFH 1 1/4 B	CFH 1 1/4 SB					N/A						
CCFH 1 1/4	CCFH 1 1/4 S											
CCFH 1 1/4 B	CCFH 1 1/4 SB											
CF 1 3/8	CF 1 3/8 S	.3125 8	.0938 2	.1875 5	.984 25.00	.047 1.19	.5003 12.708	+.0002/- .0003 +.0005/- .0008	1/2-20	350 40	2,800	.35 .16
CF 1 3/8 B	CF 1 3/8 SB					N/A						
CCF 1 3/8	CCF 1 3/8 S											
CCF 1 3/8 B	CCF 1 3/8 SB											
CFE 1 3/8	CFE 1 3/8 S	.3125 8	.0938 2	.1875 5	.984 25.00	.047 1.19	.690 17.52	+.001/- .001 +.025/- .025	3/4-16	1,250 141	2,800	.44 .19
CFE 1 3/8 B	CFE 1 3/8 SB					N/A						
CCFE 1 3/8	CCFE 1 3/8 S											
CCFE 1 3/8 B	CCFE 1 3/8 SB											
CFH 1 3/8	CFH 1 3/8 S	.3125 8	.0938 2	.1875 5	.984 25.00	.047 1.19	.7503 19.058	+.0002/- .0003 +.0005/- .0008	3/4-16	1,250 141	2,800	.44 .19
CFH 1 3/8 B	CFH 1 3/8 SB					N/A						
CCFH 1 3/8	CCFH 1 3/8 S											
CCFH 1 3/8 B	CCFH 1 3/8 SB											

For positive clamping, use housing thickness equal to G dimension $\pm .010$ ".
Clamping torque is based on dry threads. If threads are lubricated, use half of value shown.
Hex wrench size for "Broached" version is located in the wrench size chart on page B-156.