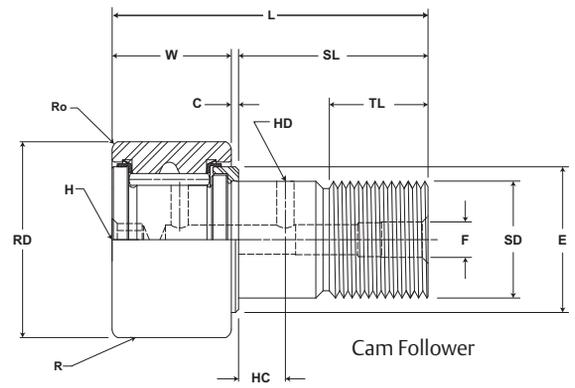


McGILL® Inch Cam Follower Bearings



- Basic Construction Type:** Stud Type Crowned / Cylindrical Outside Diameter
- Rolling Elements:** Full Complement Needle Roller
- Bearing Material:** Bearing Quality Steel
- Seal Type:** LUBRI-DISC®
- Lubrication:** Lithium Soap Grease NLGI #2
- System Configuration:** Concentric / Eccentric / Heavy Stud
- Mounting Feature:** Slot / Hex Hole



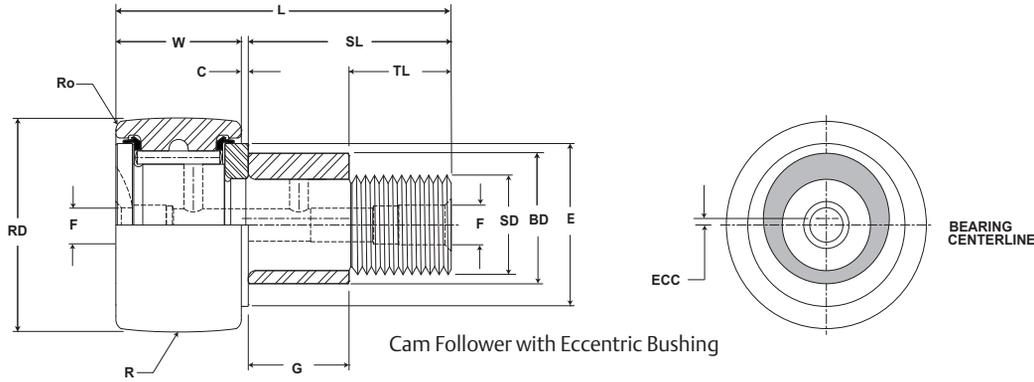
CF, CFE, CFH

Part No.		RD		W		SD		SL	C	TL	L	R	ECC	G	BD	Track Roller Dynamic Rating	Track Roller Static Rating
W/O Seals	With LUBRI-DISC Seals	Roller Diameter		Roller Width		Stud Diameter		Stud Length	Endplate Extension	Min Thread Length	Length Overall	Crown Prefix CCF-XX	Eccentric Base Modifier CFE-XX				
		inch mm		inch mm		inch mm		inch mm		inch mm		inch mm	inch mm				
		Nom.	Tol.	Nom.	Tol.	Nom.	Tol.	(Ref)	(Ref)	(Ref)	(Ref)	Radius (Ref)	(Ref)	+0/-0.010	±.001		
CF 1 1/2	CF 1 1/2 S	1.500 38.10	+0/-0.001 +0/-0.03	.875 22.23	+0 / -0.005 +0 / -0.13	.625 15.88	+0.01/-0 +0.03/-0	1.50 38.1	.031 .8	.75 19.1	2.41 61.1	Cylindrical	N/A	N/A	N/A	4,840 21,528	5,640 25,087
CF 1 1/2 B	CF 1 1/2 SB											20					
CCF 1 1/2	CCF 1 1/2 S											508					
CCF 1 1/2 B	CCF 1 1/2 SB																
CFE 1 1/2	CFE 1 1/2 S	1.500 38.10	+0/-0.001 +0/-0.03	.875 22.23	+0 / -0.005 +0 / -0.13	.625 15.88	+0.01/-0 +0.03/-0	1.50 38.1	.031 .8	.75 19.1	2.41 61.1	Cylindrical	.030	.750	.875	4,840 21,528	5,640 25,087
CFE 1 1/2 B	CFE 1 1/2 SB											20					
CCFE 1 1/2	CCFE 1 1/2 S											508					
CCFE 1 1/2 B	CCFE 1 1/2 SB																
CFH 1 1/2	CFH 1 1/2 S	1.500 38.10	+0/-0.001 +0/-0.03	.875 22.23	+0 / -0.005 +0 / -0.13	.875 22.23	+0.01/-0 +0.03/-0	1.50 38.1	.031 .8	.75 19.1	2.41 61.1	Cylindrical	N/A	N/A	N/A	4,840 21,528	11,280 50,173
CFH 1 1/2 B	CFH 1 1/2 SB											20					
CCFH 1 1/2	CCFH 1 1/2 S											508					
CCFH 1 1/2 B	CCFH 1 1/2 SB																
CF 1 5/8	CF 1 5/8 S	1.625 41.28	+0/-0.001 +0/-0.03	.875 22.23	+0 / -0.005 +0 / -0.13	.625 15.88	+0.01/-0 +0.03/-0	1.50 38.1	.031 .8	.75 19.1	2.41 61.1	Cylindrical	N/A	N/A	N/A	4,840 21,528	5,640 25,087
CF 1 5/8 B	CF 1 5/8 SB											20					
CCF 1 5/8	CCF 1 5/8 S											508					
CCF 1 5/8 B	CCF 1 5/8 SB																
CFE 1 5/8	CFE 1 5/8 S	1.625 41.28	+0/-0.001 +0/-0.03	.875 22.23	+0 / -0.005 +0 / -0.13	.625 15.88	+0.01/-0 +0.03/-0	1.50 38.1	.031 .8	.75 19.1	2.41 61.1	Cylindrical	.030	.750	.875	4,840 21,528	5,640 25,087
CFE 1 5/8 B	CFE 1 5/8 SB											20					
CCFE 1 5/8	CCFE 1 5/8 S											508					
CCFE 1 5/8 B	CCFE 1 5/8 SB																
CFH 1 5/8	CFH 1 5/8 S	1.625 41.28	+0/-0.001 +0/-0.03	.875 22.23	+0 / -0.005 +0 / -0.13	.875 22.23	+0.01/-0 +0.03/-0	1.50 38.1	.031 .8	.75 19.1	2.41 61.1	Cylindrical	N/A	N/A	N/A	4,840 21,528	11,280 50,173
CFH 1 5/8 B	CFH 1 5/8 SB											20					
CCFH 1 5/8	CCFH 1 5/8 S											508					
CCFH 1 5/8 B	CCFH 1 5/8 SB																

Metric dimensions for reference only.
Hex wrench size for "Broached" version is located in the wrench size chart on page B-156.

Not all parts are available from stock. Please contact customer service for availability (800) 626-2120.
For more information on bearing capabilities outside of our standard offering, please contact Application Engineering (800) 626-2093.

Inch Cam Follower Bearings **McGILL**



CF, CFE, CFH

Part No.		HC	HD	F	E	Ro	HBD		Thread Type	Clamping Torque	Limiting Speed (Grease)	WT								
W/O Seals	With LUBRI-DISC Seals	Hole Center	Radial Hole Diameter	Axial Hole Dia or Fitting	Min Boss Diameter	Outer Corner	Housing Bore Diameter													
		inch mm		inch mm		inch mm														
		(Ref)	(Ref)	(Ref)	(Ref)	(Ref)	Nom.	Tol.												
CF 1 1/2	CF 1 1/2 S	.375 10	.0938 2	.1875 5	1.094 27.78	.063 1.59	.6253 15.883	+.0002/- .0003 +.0005/- .0008	5/8-18	650 73	2,500	.53 .24								
CF 1 1/2 B	CF 1 1/2 SB					N/A														
CCF 1 1/2	CCF 1 1/2 S					.375 10	.0938 2	.1875 5					1.094 27.78	.063 1.59	.878 22.30	+.001/- .001 +.025/- .025				
CCF 1 1/2 B	CCF 1 1/2 SB													N/A						
CFE 1 1/2	CFE 1 1/2 S	.375 10	.0938 2	.1875 5	1.094 27.78				.063 1.59	.8753 22.233	+.0002/- .0003 +.0005/- .0008	7/8-14		1,500 170	2,500	.69 .31				
CFE 1 1/2 B	CFE 1 1/2 SB								N/A											
CCFH 1 1/2	CCFH 1 1/2 S					.375 10	.0938 2	.1875 5	1.094 27.78	.063 1.59	.6253 15.883		+.0002/- .0003 +.0005/- .0008				5/8-18	650 73	2,350	.60 .27
CCFH 1 1/2 B	CCFH 1 1/2 SB									N/A										
CFE 1 5/8	CFE 1 5/8 S	.375 10	.0938 2	.1875 5	1.094 27.78					.063 1.59	.878 22.30	+.001/- .001 +.025/- .025								
CFE 1 5/8 B	CFE 1 5/8 SB									N/A										
CCFE 1 5/8	CCFE 1 5/8 S					.375 10	.0938 2	.1875 5	1.094 27.78	.063 1.59	.8753 22.233	+.0002/- .0003 +.0005/- .0008	7/8-14	1,500 170	2,350	.75 .34				
CCFE 1 5/8 B	CCFE 1 5/8 SB									N/A										

For positive clamping, use housing thickness equal to G dimension $\pm .010$ ".
Clamping torque is based on dry threads. If threads are lubricated, use half of value shown.
Hex wrench size for "Broached" version is located in the wrench size chart on page B-156.