

IEC Pin and Sleeve
Accessories
Back Box

HUBBELL

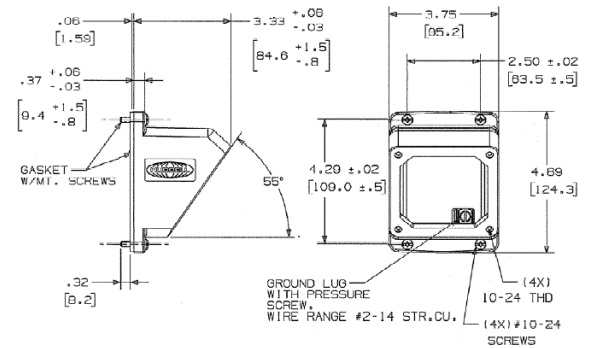


Ordering Information

| Description | Device Color | UPC | Catalog Number |
|--------------------|--------------|-------------|----------------|
| Angle adapter only | Gray | 78358581005 | AA203055 |

Specifications

| Accessory Item | Angle Adapter |
|----------------|---------------|
|----------------|---------------|



Accessories

Receptacle/Inlet Accommodation 16A, 20A, 30A & 32A IEC Pin & Sleeve
Receptacle/Inlet Accommodation Watertight Safety-Shroud®

Resources

Customer Use Drawing
eCatalog

Dimensions in Inches (mm)

Hubbell Wiring Device-Kellems • Hubbell Incorporated (Delaware) • 40 Waterview Drive • Shelton, CT 06484

Phone (800) 288-6000 • Fax (800) 255-1031 • Specifications subject to change without notice.

