

IEC Pin and Sleeve  
Accessories  
Back Box

# HUBBELL

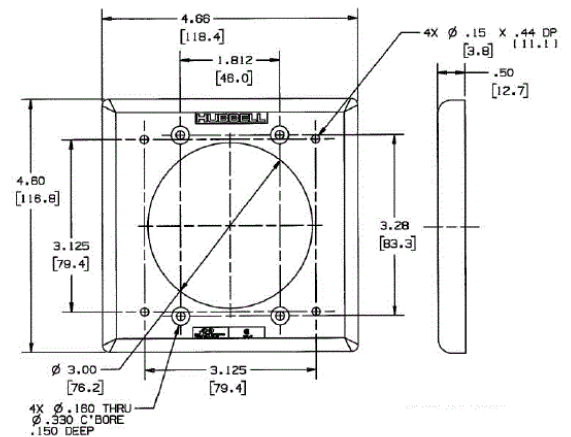
## Ordering Information

Description	Device Color	UPC	Catalog Number
Adapts 16, 20, 30 and 32A Watertight IEC Pin and Sleeve devices	Gray	78358549540	HBL2030AP



## Specifications

Accessory Item	Adapter Plate
----------------	---------------



## Accessories

Receptacle/Inlet Accommodation 16A, 20A, 30A & 32A IEC Pin & Sleeve  
Receptacle/Inlet Accommodation Watertight Safety-Shroud®

## Resources

Customer Use Drawing  
eCatalog

Dimensions in Inches (mm)

Hubbell Wiring Device-Kellems • Hubbell Incorporated (Delaware) • 40 Waterview Drive • Shelton, CT 06484

Phone (800) 288-6000 • Fax (800) 255-1031 • Specifications subject to change without notice.

